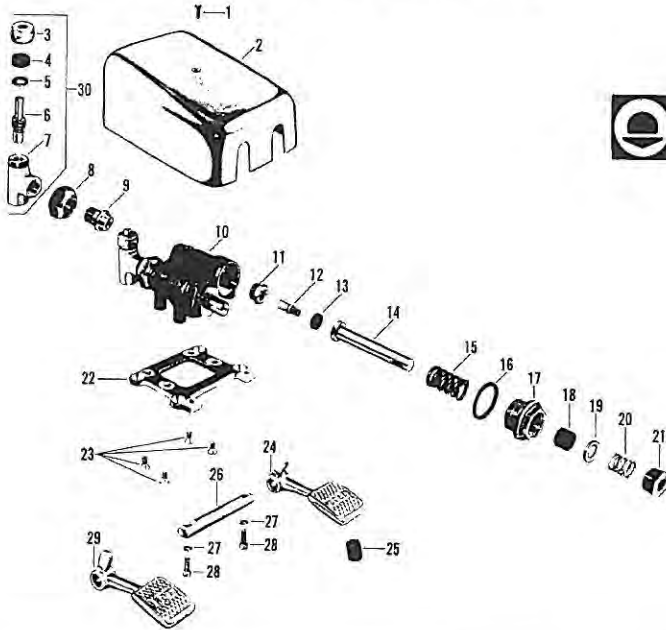


## Double Pedal Valve

Model Number 7680.010 (HB 15091)

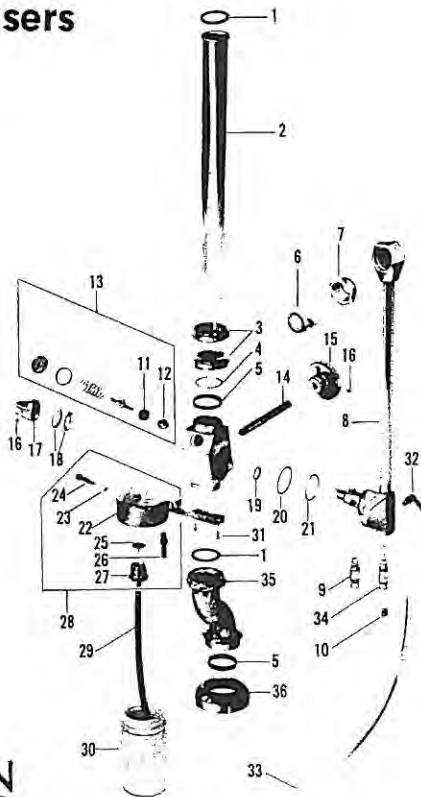


1	Screw	852-11	C3582
2	Cover	1229-32	
3	Cap	63761-07	
4	Packing	143-17	
5	Washer	63760-07	
6	Stem	54-37	
7	Stop Body	604-17*	
8	Coupling Nut	24253-07	
9	Swivel	23968-07	
10	Body w/seats	8092-07*	
11	Seat	65626-04	
12	Stem Guide	20836-07	
13	Seat Washer	465-07	
14	Stem	65614-07	
15	Spring	39-17	
16	Washer	285-27	
17	Stuffing Box	65612-07	
18	Packing	406-17	
19	Gland	65627-07	
20	Spring	1179-27	
21	Stuffing Nut	65613-07	
22	Base Plate	65621-07*	
23	Screw	1170-07	
24	Pedal - Cold	65615-02	
25	Bumper	63-07	
26	Pedal Shaft	65629-07	
27	Lock Washer	209-17	
28	Screw	1181-17	C3612
29	Pedal - Hot	65617-02	
30	Stop S/A	2876-07	

\* NOT AVAILABLE

## Bedpan Cleansers

Model Numbers  
7586.019,  
7586.027  
(Spray-Flex)



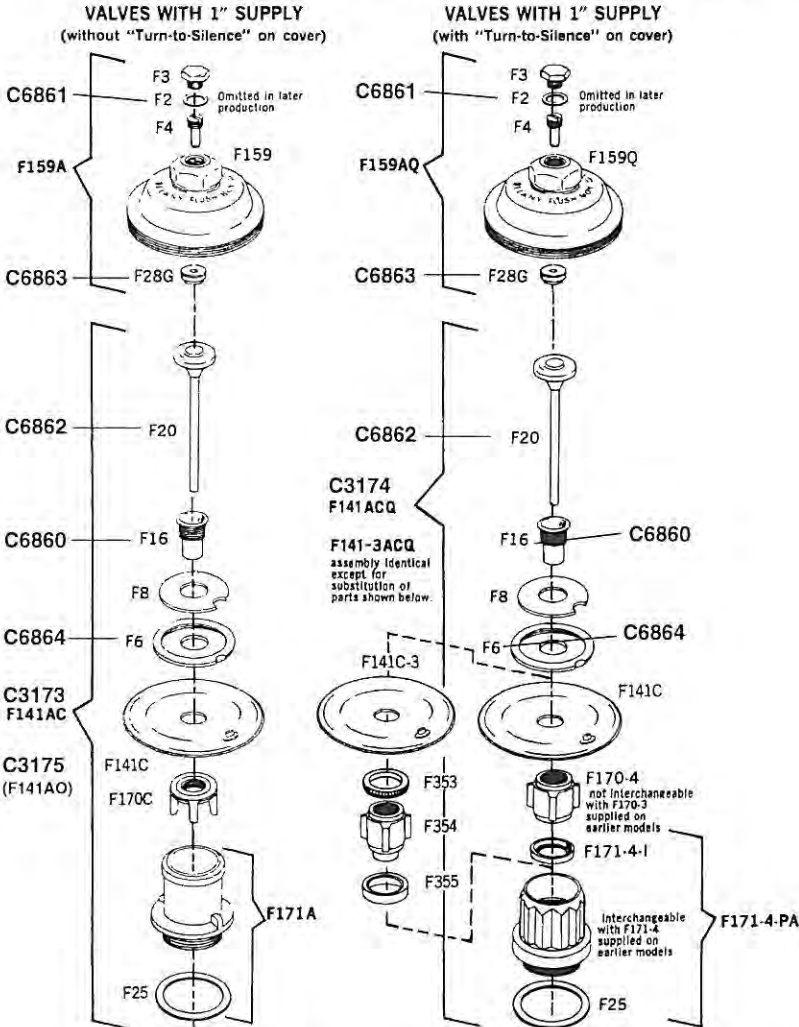
1	Gasket	51361-07	51361-07
2	Upper Tailpiece	33701-02	33701-02
3	Slip Joint Nut	35416-02	35416-02
4	Sweat Ring	33702-07	33702-07
5	Slip Joint Washer	469-07	469-07
6	Spray Director S/A	8317-07	8317-07
7	Retainer	33717-02	33717-02
8	Spray Arm S/A	33744-02	33744-02
9	Valve Stem & "O" Ring	8316-04	-
10	Pipe Plug	33728-07	-
11	Seat Washer	C3610	C3610
12	Seat	57285-07	57285-07
13	Stem Assembly Repair Kit	8314-02	8314-02
14	Support Arm	33720-02	33720-02
15	Support Bracket	33721-02	33721-02
16	Set Screw	69427-07	69427-07
17	Retaining Cap Nut	33704-02	33704-02
18	Belleville Washer	33703-09	33703-09
19	"O" Ring	C3862	59225-07
20	"O" Ring	C3766	33712-07
21	Friction Washer	C3767	33713-07
22	Deoseptic Cap	-	33729-02
23	Nylon Insert	-	33745-07
24	Metering Valve Stem & "O" Ring	-	8318-04
25	Check Valve & Plate	-	C3679
26	Adapter	-	33741-07
27	Adapter	-	33735-04
28	Deoseptic Cap S/A	-	33748-02
29	Tubing	-	33736-07
30	Widemouth Jar	-	33737-07
31	Screw	-	33739-05
32	Adapter	-	33711-07
33	Tubing	-	33738-07
34	Aspirator Valve Stem S/A	-	33747-04
35	Lower Tailpiece S/A	C3768	C3768
36	Escutcheon	1451-02	1451-02

Note: - Packing Repair Kit #8315-09 - includes items 18, 19, 20 & 21. C3678

934 S.E. Sixth Avenue • Portland, Oregon 97214 • (503) 235-2167 • (800) 929-5039 • Fax (503) 239-3774

## Delany Flushboy

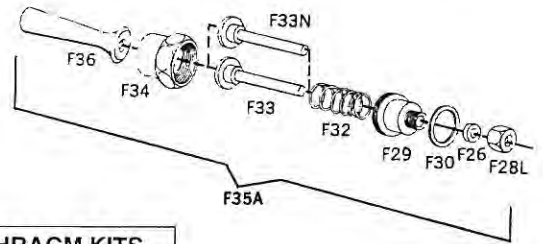
### Old Style Spring Loaded Handle



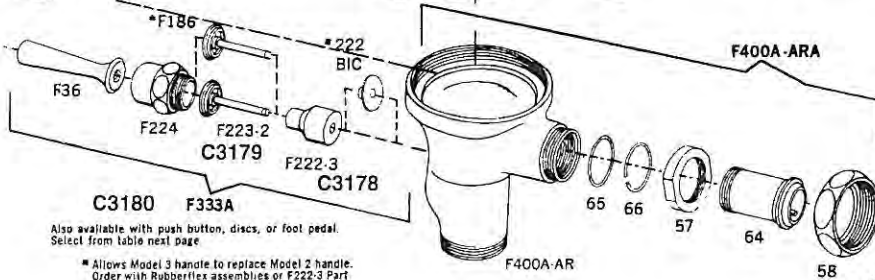
C3187

*F35A	Spring loaded handle assembly
*F35A-B	Spring loaded 1/2" push button assembly
*F35A-C	Spring loaded 3" oscillating disc assembly
*F35A-T3	Spring loaded 1 1/2" oscillating disc assembly
*F35A-T29	Spring loaded foot pedal assembly
F26	Packing washer
F28L	Packing nut
F29	Spring housing
F30	Coupling washer
F32	Spring
F33	Operating stem (overall length 1 7/32")
F33N	Operating stem (for valves with non hold open feature. Overall length 1 7/32")
F34	Handle nut
F36	Handle

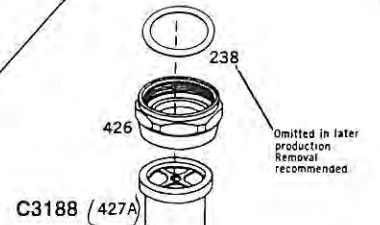
\* If for use with valves containing non hold open feature, add suffix T5 to assembly number.



**DIAPHRAGM KITS**  
 C3176 - Closet  
 C3177 - Urinal  
 Includes F8 and F141



Also available with push button, discs, or foot pedal. Select from table next page.  
 \* Allows Model 3 handle to replace Model 2 handle. Order with Rubberflex assemblies or F222-3 Part



- 428-9
- 428-12
- 428-15
- 428-18
- 428-22 1/2
- 428A-9
- 428A-12
- 428A-15
- 428A-18
- 428A-22 1/2
- 428B-9
- 428B-12
- 428B-15
- 428B-18
- 428B-22 1/2

VACUUM BREAKER NO. 50  
 Genuine Renewal Parts

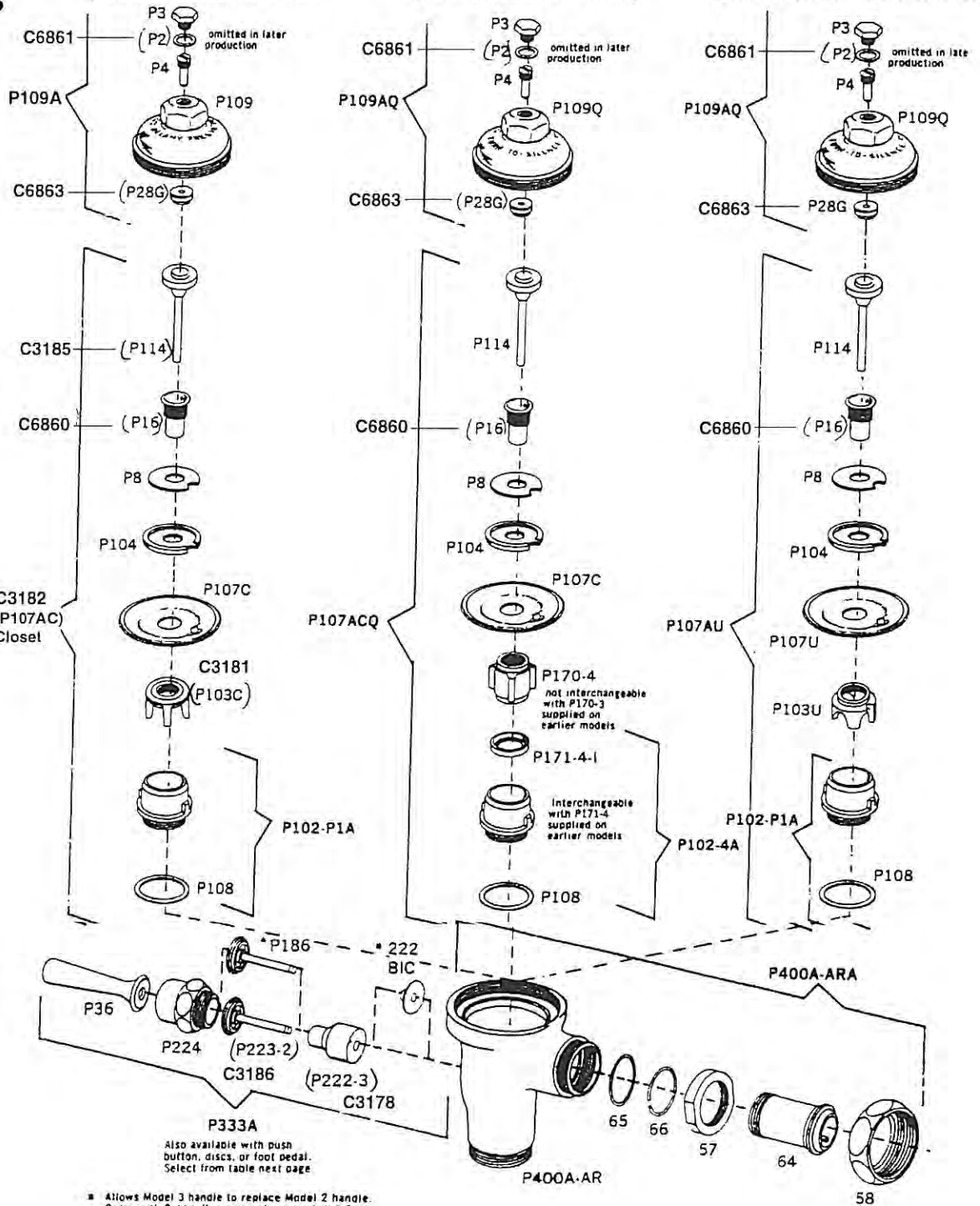
**Delany**  
 FLUSH VALVES

**DELANY PRESTO  
RENEWAL PARTS**

**VALVES WITH 1" SUPPLY**  
(without "Turn-to-Silence" on cover)

**VALVES WITH 1" SUPPLY**  
(with "Turn-to-Silence" on cover)

**VALVES WITH 3/4" SUPPLY**  
(with or without "Turn-to-Silence" on cover)



**DIAPHRAGM KITS**  
C3183 - Closet  
C3184 - Urinal  
Includes P8, P107

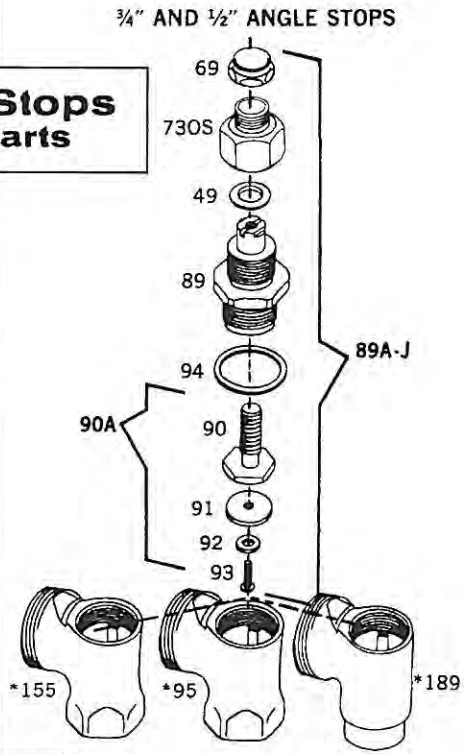
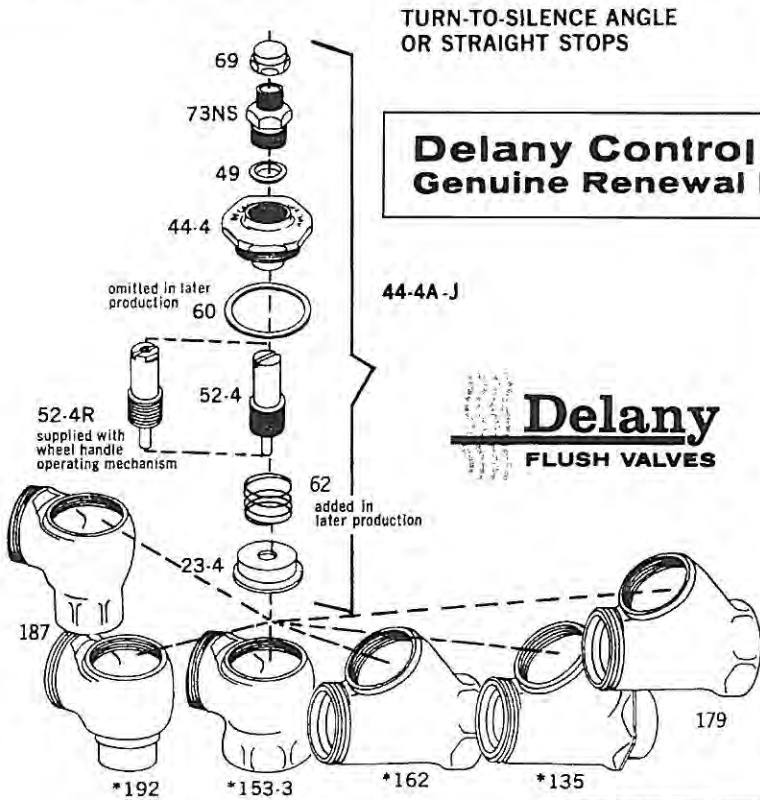


\*P180 part and P186 part supplied in valves with non hold open feature. Must be used together.  
For complete diaphragm operating assembly with non hold open feature, order as applicable:  
P107ACT5  
P107ACQT5  
P107AUT5  
For complete handle assembly for non hold open feature, order P333AT5

\* Allows Model 3 handle to replace Model 2 handle. Order with Rubberflex assemblies or P222-3 Part.



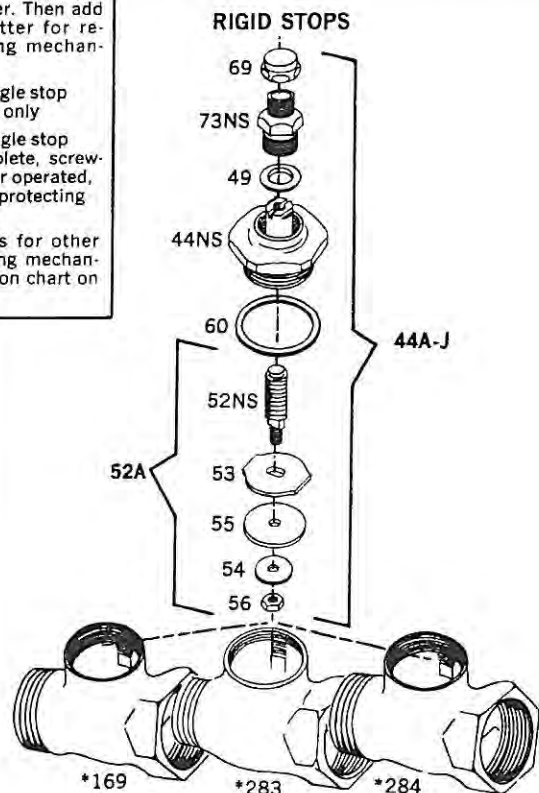
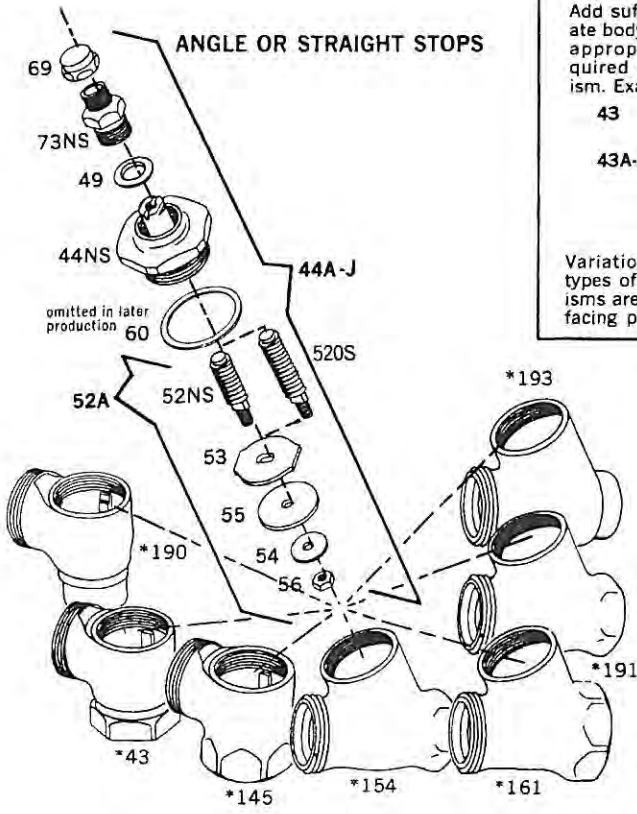
255



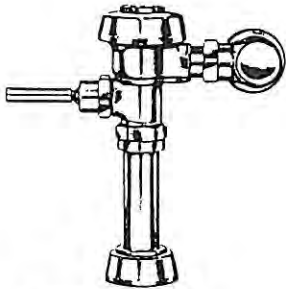
**TO SPECIFY COMPLETE STOPS**  
Add suffix "A" to appropriate body number. Then add appropriate letter for required operating mechanism. Example:

- 43 1" angle stop body only
- 43A-J 1" angle stop complete, screw-driver operated, with protecting cap

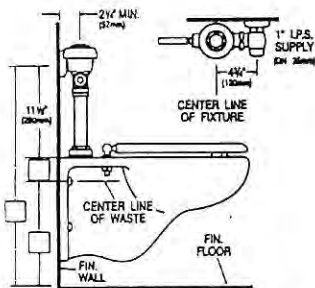
Variation letters for other types of operating mechanisms are shown on chart on facing page.



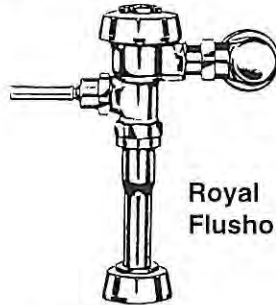
**SLOAN.**



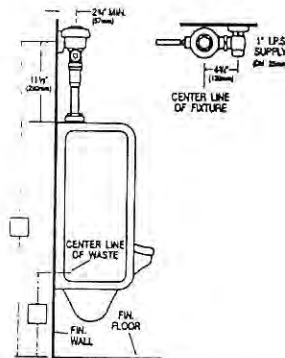
Royal Flushometer



ORDER CATALOG NO.  
C3960 Model 110 3.5 GPF  
C3961 Model 111 1.6 GPF

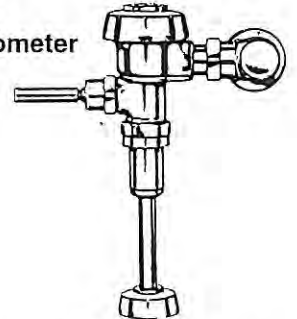


Royal Flushometer



ORDER CATALOG NO.  
C3962 Model 180 3 GPF  
C3963 Model 180-1.5 1.5 GPF

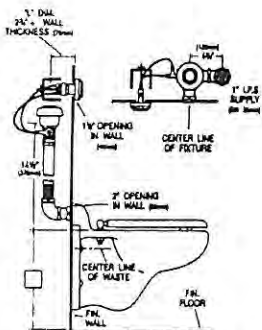
Royal Flushometer



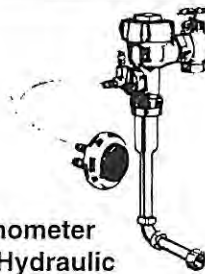
ORDER CATALOG NO.  
C3964 Model 186 1.5 GPF  
C3965 Model 186-1 1.0 GPF



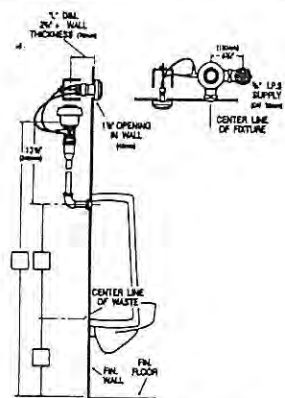
Royal Flushometer Series 900 Hydraulic



ORDER CATALOG NO.  
C6650 Model 952 3.5 GPF



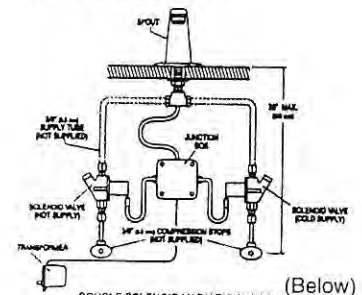
Royal Flushometer Series 900 Hydraulic



ORDER CATALOG NO.  
C6651 Model 995 1.5 GPF



OPTIMA®  
ETF-80 Lavatory Faucet  
Sensor Operated



ORDER CATALOG NO.  
C3975 Model ETF-80-1P

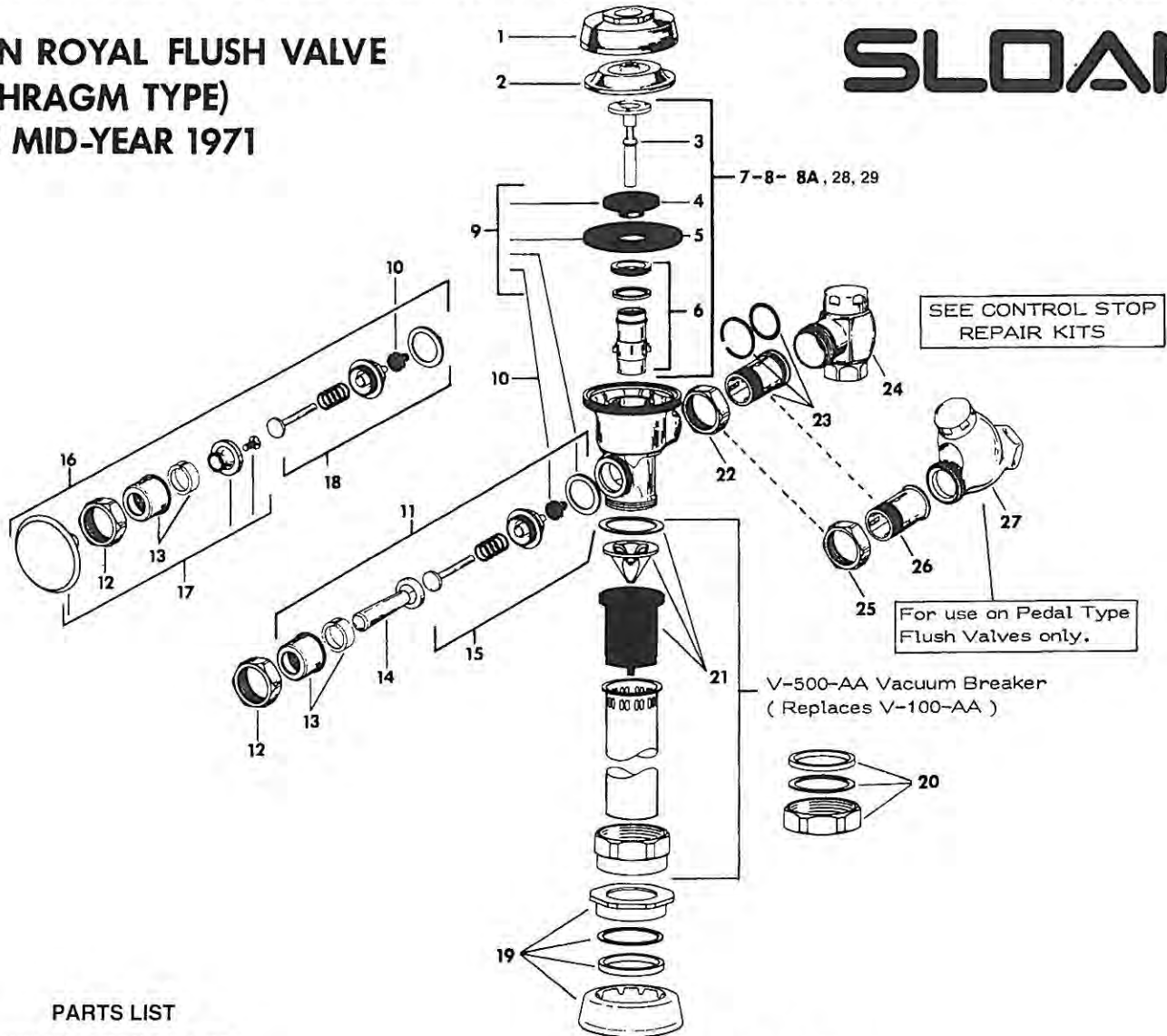
(Below)  
DOUBLE SOLENOID VARIATION SHOWN  
FOR PRE-MIXED WATER SPECIFY SINGLE SOLENOID

257

934 S.E. Sixth Avenue • Portland, Oregon 97214 • (503) 235-2167 • (800) 929-5039 • Fax (503) 239-3774

## SLOAN ROYAL FLUSH VALVE (DIAPHRAGM TYPE) SINCE MID-YEAR 1971

# SLOAN®



### CAT. NO. PARTS LIST

C3982	1.	0301172	A-72 CP Cover
C3981	2.	0301168	A-71 Inside Cover
C4065	3.	3301058	A-19-AC Relief Valve (Closet) - 12 per pkg.
C4066		3301059	A-19-AU Relief Valve (Urinal) - 12 per pkg.
C4067	4.	3301111	A-15-A Disc - 12 per pkg.
C4071	5.	3301188	A-156-A Diaphragm w/A-29 - 12 per pkg.
C4073	6.	3301236	A-163-A Guide - 12 per pkg.
C4040	7.	3301036	Inside Parts Kit for Closets, Service Sinks, Blowout and Siphon Jet Urinals
C4041	8.	3301037	Inside Parts Kit for Washdown Urinals
C4042	8A.	3301038	Retro Water Saver Kit-delivers 3-1/2 gal.
C4072	9.	3301189	A-156-AA Closet/Urinal Washer Set - 6 per pkg.
C4076	10.	3302297	B-39 Seal - 12 per pkg.
C4075	11.	3302279	B-32-A CP Handle Assem. - 6 per pkg.
C5421	12.	0301082	* A-6 CP Handle Coupling
	13.	0302109	B-7-A CP Socket
C4074	14.	3302274	B-32 CP Grtp - 12 per pkg.
C4077	15.	3302305	B-50-A Handle Repair Kit - 6 per pkg.
	16.	0303351	C-42-A 3" CP Push Button Assem.
	17.	3303347	3" CP Push Button Replacement Kit
	18.	3303396	C-64-A 3" Push Button Repair Kit
	11B.	0302390	B-73-A ADA Handle Assy.

### CAT. NO. PARTS LIST

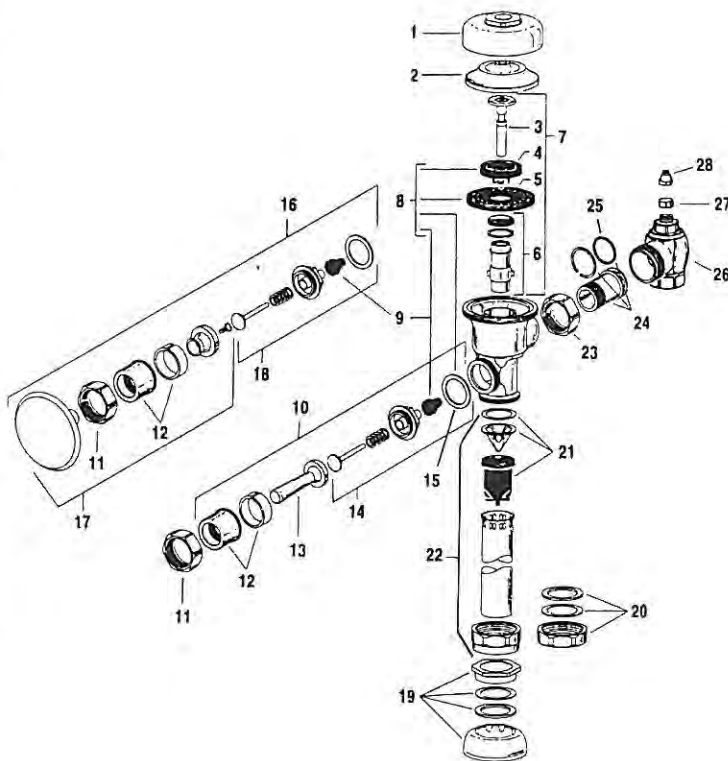
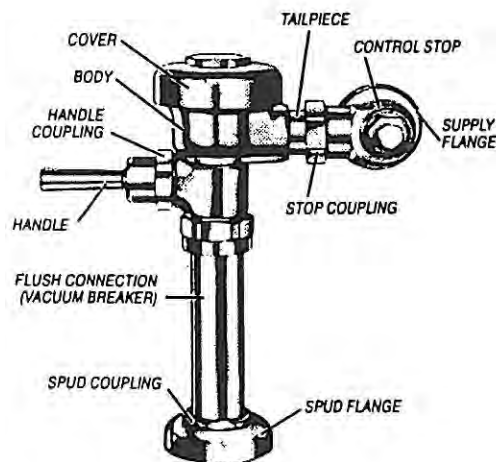
C3992	19.	0306125	F-5-A 3/4" CP Spud Coupling Assem.
C3993		0306132	F-5-A 1" CP Spud Coupling Assem.
C3994		0306140	F-5-A 1-1/4" CP Spud Coupling Assem.
C3995		0306146	F-5-A 1-1/2" CP Spud Coupling Assem.
C3989	20.	0306052	* F-2-A 3/4" CP Outlet Coupling Assem.
		0306077	F-2-A 1" CP Outlet Coupling Assem.
		0306092	* F-2-A 1-1/2" CP Outlet Coupling Assem. w/S-30
C6299		0306060	* F-2-A 1-1/4" CP Outlet Coupling Assem.
C3991		0306093	* F-2-A 1-1/2" CP Outlet Coupling Assem.
C4064	21.	3323192	V-500-A & V-500-AA Vacuum Breaker Repair Kit
C4003	22.	0308676	* H-550 CP Stop Coupling
C4007	23.	0308801	* H-551-A CP Adj. Tail 2-1/16" Long
C4005	24.	0308757	H-600-A 1" SD Bak-Chek CP Control Stop
C4004		0308724	H-600-A 3/4" SD Bak-Chek CP Control Stop
C4014		0308881	* H-600-A 1" WH Bak-Chek CP Control Stop
		0308889	* H-600-A 3/4" WH Bak-Chek CP Control Stop
	25.	0308063	* H-6 CP Stop Coupling
C4000	26.	0308026	* H-5 CP Ground Joint Tail 1-3/4" Long
C4016	27.	0308884	H-650-AG 1" SD Bak-Chek CP Control Stop
C4015		0308882	* H-650-AG 1" WH Bak-Chek CP Control Stop
C4044	28.	3301041	A-41-A 1.6 GPF Closet Kit
C4045	29.	3301044	A-42-A 1.0 GPF Urinal Kit

**FLUSHOMETERS - Regal**

The Repair Kits and Parts listed are designed to service ALL Sloan Diaphragm Type Exposed and Concealed Flushometers. Each item has been identified by a Part Number and a corresponding Code Number. To expedite your replacement requirements, order by Catalog Number.

			<u>CAT. NO.</u>
1.	CP Cover*	0317004	R-10
2.	Inside Cover	0301168	A-71 <b>C3981</b>
3.	Relief Valve, White (Closet)	5301058	A-19-AC <b>C4065</b>
	Relief Valve, Black (Urinal)	5301059	A-19-AU <b>C4066</b>
4.	Disc	5301111	A-15-A <b>C4067</b>
5.	Diaphragm	5301188	A-156-A <b>C4071</b>
6.	Guide	5301236	A-163-A <b>C4073</b>
	Guide (1.6 GPF)	5301031	A-151-A
	Low Consumption Closets		
7.	Inside Parts Kit (4 1/2 GPF)	3301036	A-36-A <b>C4040</b>
	Standard Closets/Service Sinks		
	Inside Parts Kit (1 1/2 GPF)	3301037	A-37-A <b>C4041</b>
	Washdown/Water Saver Urinals		
	Inside Parts Kit (3 1/2 GPF)	3301038	A-38-A <b>C4042</b>
	Water Saver Closets/3 Gal. Urinals		
	Inside Parts Kit (1.6 GPF)	3301041	A-41-A <b>C4044</b>
	for Low Consumption Closets		
	Inside Parts Kit (1 GPF)	3301042	A-42-A <b>C4045</b>
	for Low Consumption Urinals		
8.	Closet/Urinal Washer Set	5301189	A-156-AA <b>C4072</b>
9.	Seal	5302297	B-39 <b>C4076</b>
	CP Handle Assembly	5302279	B-32-A <b>C4075</b>
	CP Handicap Handle Assembly	0302390	B-73-A <b>C3988</b>
11.	CP Handle Coupling*	0301082	A-6 <b>C5421</b>
12.	CP Socket	0302109	B-7-A
13.	CP Grip	5302274	B-32 <b>C4074</b>
14.	Handle Repair Kit	5302305	B-50-A <b>C4077</b>
15.	Handle Gasket	5301139	A-31 <b>C4068</b>
16.	3" CP Push Button Assembly	0303351	C-42-A
17.	3" CP Push Button Replacement Kit	3303347	C-1000-A
18.	3" Push Button Repair Kit	3303396	C-64-A
19.	1 1/2" CP Spud Coupling	0306145	F-56-A
	1 1/4" CP Spud Coupling	0306142	F-55-A
	3/4" CP Spud Coupling	0306102	F-54-A
20.	1 1/2" CP Outlet Coupling Assembly*	0306093	F-2-A <b>C3991</b>
21.	Vacuum Breaker Repair Kit	3323192	V-551-A <b>C4064</b>
22.	3/4" x 9" Vacuum Breaker	5323005	V-500-AA <b>C4106</b>
	1 1/4" x 9" Vacuum Breaker	5323006	V-500-AA <b>C4107</b>
	1 1/2" x 9" Vacuum Breaker	5323007	V-500-AA <b>C4108</b>
23.	CP Stop Coupling*	0308676	H-500 <b>C4003</b>
24.	CP Adjustable Tailpiece	0308801	H-551-A <b>C4007</b>
25.	"O" Ring	5308696	H-533 <b>C4089</b>
26.	1" Screwdriver Bak-Chek	0308704	H-540-A
	CP Control Stop		
	1" Screwdriver Bak-Chek Repair Kit	3308853	H-541-A <b>C4055</b>
	3/4" Screwdriver Bak-Chek	0308727	H-540-A
	CP Control Stop		
	3/4" Screwdriver Bak-Chek Repair Kit	3308856	H-543-A <b>C4057</b>
27.	CP Cap	5308156	H-37 <b>C4086</b>
28.	Bumper Assembly	5310034	J-2/J-7

**SLOAN**



\*Items also available in Rough Brass (Special Order)

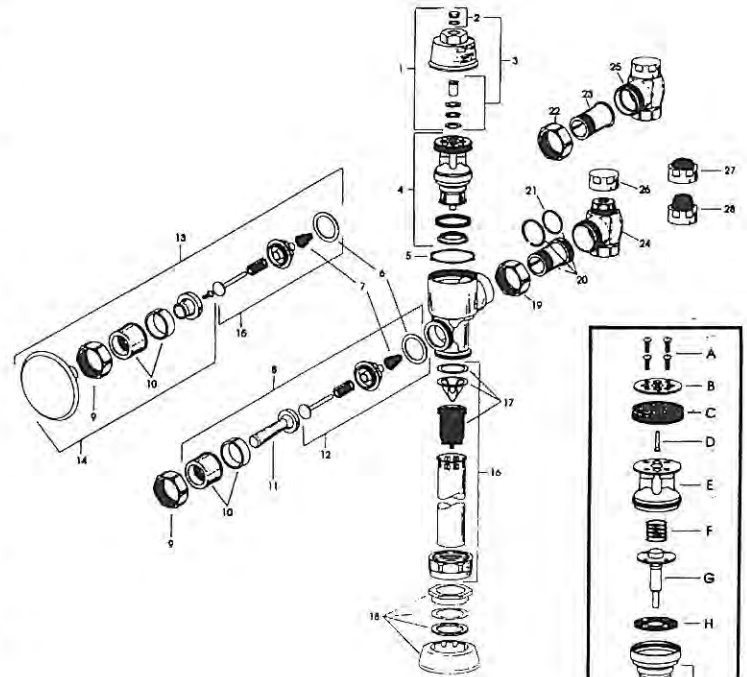
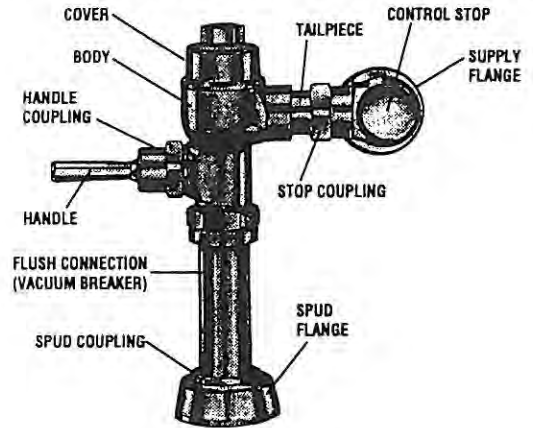
## SLOAN®

### FLUSHOMETERS - CROWN/NAVAL®

			CAT. NO.
1.	Cover Assembly CP	0314193	CN-74-A
2.	Cap Screw Repair Kit	5314010	CN-1007-A
3.	Regulating Screw Repair Kit	3314015	CN-1008-A
4.	Piston w/Main Seat - Closet	0314016	CN-1002-A
	Piston w/Main Seat - Urinal	0314017	CN-1003-A
	Piston w/Main Seat - Shower	0314191	CN-1009-A
5.	Cover Gasket	5314243	CN-76
6.	Handle Gasket	5301139	A-31
7.	Handle Seat	5302297	B-39
8.	Handle Assembly CP	5302279	B-32-A
9.	Handle Coupling CP	0301082	A-6
10.	Socket CP	0302109	B-7-A
11.	Grip CP	5302274	B-32
12.	Handle Repair Kit-6 per pkg.	5302305	B-50-A
13.	3" Push Button Assembly CP	0303351	C-42-A
14.	3" Push Button Replacement Kit	3303347	C-1000-A
15.	3" Push Button Repair Kit	3303396	C-64-A
16.	3/4" x 9" Vacuum Breaker	5323005	V-500-A
	1-1/4" x 9" Vacuum Breaker	5323006	V-500-A
	1-1/2" x 9" Vacuum Breaker	5323007	V-500-A
17.	Vacuum Breaker Repair Kit	3323192	V-551-A
18.	3/4" Spud Coupling CP	0306125	F-5-A
	1-1/4" Spud Coupling CP	0306140	F-5-A
	1-1/2" Spud Coupling CP	0306146	F-5-A
19.	Stop Coupling CP	0308676	H-550
20.	Adjustable Tailpiece 2-1/16"	0314289	NH-551-A
21.	"O" Ring	5308696	H-533
22.	Ground Joint Stop Coupling CP	0308063	H-6
23.	Ground Joint Tailpiece 1-5/8"	0314028	NH-5
24.	1" Adjustable Tailpiece	0308757	H-600-A
	SD Bak-Chek Control Stop CP		
	3/4" Adjustable Tailpiece	0308724	H-600-A
	SD Bak-Chek Control Stop CP		
25.	1" Ground Joint Screwdriver	0308893	H-600-AG
	Bak-Chek Control Stop CP		
	3/4" Ground Joint Screwdriver	0308891	H-600-AG
	Bak-Chek Control Stop CP		
26.	1" Stop Cap CP	0308840	H-573
	3/4" Stop Cap CP	0308848	H-582
27.	1" Stop Cap w/Bumper CP	3308866	H-574
28.	1" Stop Cap w/Extended Bumper CP	3308867	H-576

### CROWN/NAVAL REPAIR KITS

• CROWN/NAVAL VALVE WASHER SET - 6 per pkg. includes:	5314050	CN-1010-A	
5, 6, 7, C, H, J, Cap Screw Gasket & Regulating Screw Packing			
• PISTON REBUILD KIT - CLOSET & URINAL - 6 per pkg.	5314094	CN-1004-A	C4093
• PISTON REBUILD KIT - SHOWER - 6 per pkg.	5314184	CN-1006-A	C4094
includes: 5, A, B, C, D, H, J, Cap Screw Gasket & Regulating Screw Packing			
• 1" Screwdriver Stop Repair Kit	3308853	H-541-A	C4055
• 3/4" Screwdriver Stop Repair Kit	3308856	H-543-A	C4057



### CROWN/NAVAL PISTON COMPONENTS

			CAT. NO.
A.	Top Plate Screws	5314200	CN-17
B.	Top Plate	0314082	CN-15
	Top Plate - Shower Valve	0314179	CN-15-A
C.	Single Lip Cup	5314188	CN-68-A
D.	Expelor	0314204	CN-57
E.	Piston Body	0314228	CN-160
F.	Spring	5328019	SH-406
G.	Relief Valve	0314078	CN-18-A
H.	Relief Valve Seat	5314226	CN-120
I.	Guide Assembly - Closet	0314240	CN-123-AC
	Guide Assembly - Urinal	0314242	CN-123-AU
	Guide Assembly - Shower	0314189	CN-66-A
J.	Main Seat	0314234	CN-21-A
	Main Seat-Shower Valve only	0314223	CN-121-A

#4 Crown/Naval Piston (Exploded View)



934 S.E. Sixth Avenue • Portland, Oregon 97214 • (503) 235-2167 • (800) 929-5039 • Fax (503) 239-3774

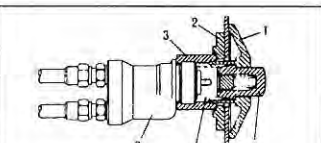
**HY-72-A Side Wall**

- 1 HY-1000-A Push Button Kit C3972  
includes Push Button, Flange, Spring & Set Screw
- 2 HY-3 Spring C4023
- 3 HY-1001-A Mounting Flange Kit includes Mtg. Flange, Mtg. Nut, Screw (2) & Nut (2), Washer (2)
- 4 HY-71-A Actuator Assembly
- 5 HY-40 Plate
- 6 EL-173 Screw (4)
- 7 HY-73 Extension Adaptor
- 8 HY-74 Extension Stem
- 9 HY-32-A Actuator Cartridge C4024  
(see item #38)



**ACTUATOR VARIATIONS\***

\*Note: See bottom of page of HY-33-A and HY-100-A Actuators.



**HY-108-A Penal Ware Metal Button**

1. HY-91 Flange
2. HY-94 Mounting Washer
3. HY-93 Mounting Nut
4. HY-86-A Push Button Assembly
5. EL-109 Spring
6. HY-50-A Actuator Assembly C4025
7. HY-32-A Actuator Cartridge C4024  
(see item #38)

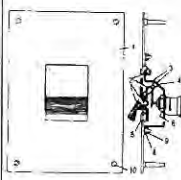
**HY-49-A Mella Partition**

- 1 HY-1000-A Push Button Kit C3972  
includes Push Button, Flange, Spring & Set Screw
- 2 HY-3 Spring C4023
- 3 HY-1003-A Mounting Flange Kit includes Mtg. Flange, Mtg. Nut, Screw (2) & Tinnerman Nut (2)
- 4 HY-71-A Actuator Assembly
- 5 HY-46 Mounting Flange
- 6 HY-32-A Actuator Cartridge C4024  
(see item #38)

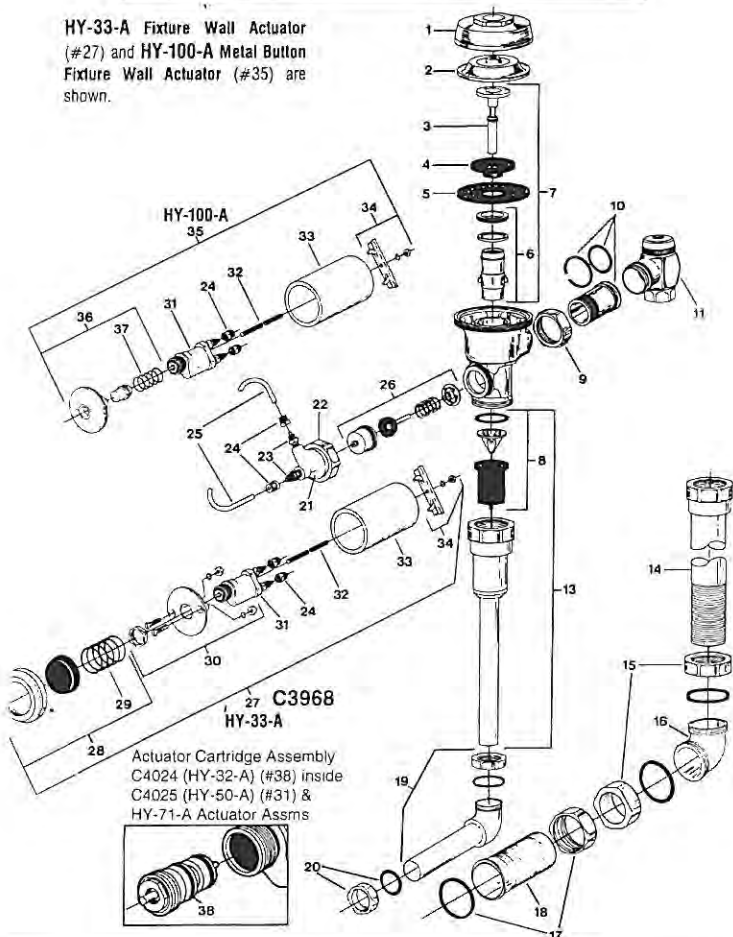


**HY-51-A Foot Pedal**

1. HY-82-A Wall Plate Assm.
2. HY-70-A Foot Pedal Assm.
3. HY-69-A Mounting Block Assm.
4. HY-59 Return Spring (2) req.
5. HY-57 Grommet
6. HY-2 Mounting Nut
7. HY-50-A Actuator Assm. C4025
8. EL-157 Washer (4) req.
9. HY-61 Nut (4) req.
10. HY-99 Mounting Screw (4) req.
11. HY-32-A Actuator Cartridge C4024  
(see item #38)



**HY-33-A Fixture Wall Actuator (#27) and HY-100-A Metal Button Fixture Wall Actuator (#35) are shown.**



1. A-72 RB Cover
2. C3981 Inside Cover
3. C4065 Relief Valve (Closet)  
C4066 Relief Valve (Urinal)
4. C4067 Disc
5. C4071 Diaphragm
6. C4073 Guide
7. C4040 Inside Parts Kit for Closets,  
Service Blowout & Siphon Jet Urinals  
C4041 Inside Parts Kit for Washdown Urinals  
C4042 Retro Water Saver Kit - delivers 3 1/2  
8. C4064 Vacuum Breaker Repair Kit
9. H-550 RB Stop Coupling
10. H-551-A RB Adj. Tailpiece 21/16" Long
11. H-600-A 1" WH Bak-Chek RB Control Stop  
H-600-A 3/4" WH Bak-Chek RB Control Stop
12. C4056 1" WH Repair Kit (not shown)  
C4058 3/4" WH Repair Kit (not shown)
13. V-500-AA 3/4" x 101/2" Flush Connection
14. V-500-AA 1 1/2" x 131/2" Flush Connection  
V-500-AA 1 1/2" x 171/2" Flush Connection  
V-500-AA 1 1/2" x 22" Flush Connection  
V-500-AA 1 1/2" x 6" Flush Connection  
V-500-AA 1 1/2" x 71/2" Flush Connection
15. F-2-AA RB Coupling / 2 per pkg.
16. F-21 RB Elbow
17. F-2-A 11/2" Coupling Assembly
18. F-100 Outlet Tube - 4 3/4" 'L' Dim.  
F-100 Outlet Tube - 6 3/4" 'L' Dim.  
F-100 Outlet Tube - 8 3/4" 'L' Dim.  
F-100 Outlet Tube - 10 3/4" 'L' Dim.  
F-100 Outlet Tube - 12 3/4" 'L' Dim.
19. F-15-A Elbow & Tail - 3 3/4" 'L' Dim.  
F-15-A Elbow & Tail - 5 3/4" 'L' Dim.  
C6398 F-15-A Elbow & Tail - 7 3/4" 'L' Dim.  
F-15-A Elbow & Tail - 8 3/4" 'L' Dim.  
F-15-A Elbow & Tail - 9 3/4" 'L' Dim.  
F-15-A Elbow & Tail - 10 3/4" 'L' Dim.
20. F-2-A RB Spud Nut
21. HY-25 Valve Actuator Housing
22. A-6 RB Coupling Nut
23. HY-24 Tube Fitting / 2 req.
24. HY-35 Tube Fitting Nut / 2 req.
25. HY-30 Tubes 1/4" x 48" / 2 req.
26. C4061 Actuator Cartridge
27. C3968 Fixture Wall Push Button Assm.
28. HY-1000-A Push Button Kit
29. C4023 Spring
30. HY-1001-A Mounting Flange Kit
31. C4025 Actuator Assembly
32. HY-29 Threaded Rod
33. HY-105 Spacer
34. C4062 Mounting Strap Kit
35. HY-100A Fixture Wall Metal Button
36. HY-111-A Metal Button Kit
37. EL-109 Spring
38. C4024 Actuator Cartridge

CP = Chrome Plate      SD = Screwdriver  
RB = Rough Brass      WH = Wheel Handle

261

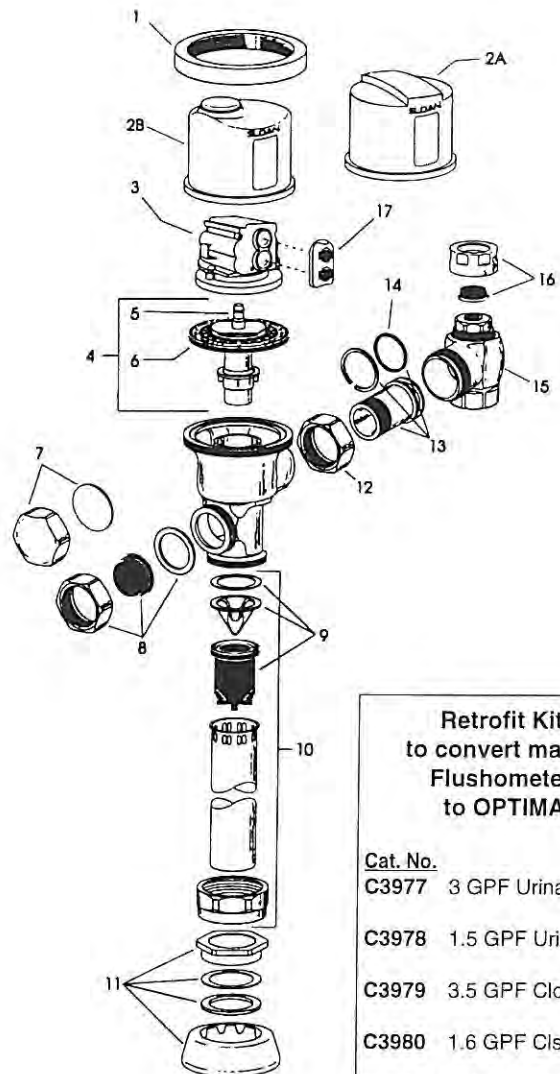
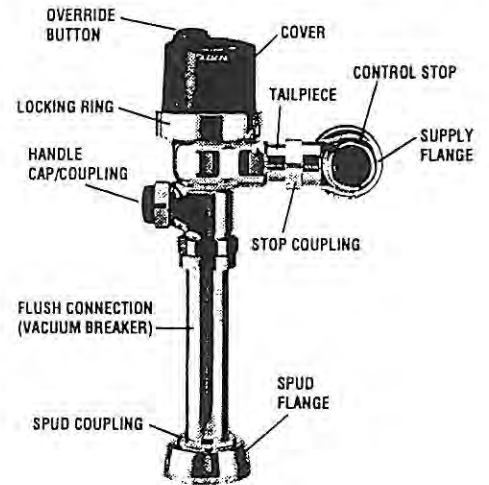
934 S.E. Sixth Avenue • Portland, Oregon 97214 • (503) 235-2167 • (800) 929-5039 • Fax (503) 239-3774

**SLOAN**

**FLUSHOMETERS - OPTIMA® plus**

The Repair Kits and Parts listed are designed to service Sloan OPTIMA® Plus Battery Operated Flushometers. Each item has been identified by a Part Number and a corresponding Code Number. To expedite your replacement requirements, order by Catalog Number.

			<u>CAT. NO.</u>
1.	CP Locking Ring	0305804	EBV-14
	CP Locking Ring for ZURN Valve Bodies	3305524	EBV-31-A
2A.	Cover (Urinal)	0305806	EBV-11
2B.	Cover w/Override Button (Closet)	3305538	EBV-38-A
3.	Electronic Module - 1 gpf/3.8 lpf (Urinal)	3305540	EBV-26-AU1
	Electronic Module - 3 gpf/11.4 lpf (Urinal)	3305543	EBV-26-AU3.0
	Electronic Module - 1.6 gpf/6 lpf (Closet)	3305542	EBV-26-AC1.6
	Electronic Module - 3.5 & 4.5 gpf/13.3 & 17 lpf (Closet)	3305544	EBV-26-AC3.5
4.	Inside Parts Assembly - 1 gpf/3.8 lpf (Urinal)	3305851	EBV-32-A-1.0
	Inside Parts Assembly - 1.5 gpf/5.7 lpg (Urinal)	3305818	EBV-32-A-1.5
	Inside Parts Assembly - 1.6 gpf/6 lpf (Closet)	3305850	EBV-10A-1.6
	Inside Parts Assembly - 3 gpf/11.4 lpf (Urinal) & 3.5 gpf/13.3 lpf (Closet)	3305841	EBV-10A-3.0
	Inside Parts Assembly - 4.5 gpf/17 lpg (Closet)	3305842	EBV-10A-4.5
5.	Quad Ring	5305813	EBV-18
6.	Diaphragm	5301188	A-156-A <b>C4071</b>
7.	Handle Cap - Solid	33058144	EBV-1017-A
8.	Handle Cap - Decorative	3305815	EBV-1018-A
9.	Vacuum Breaker Repair Kit	3323192	V-551-A <b>C4064</b>
10.	3/4 x 9 Vacuum Breaker	5323005	V-500-A <b>C4106</b>
	1 1/4 x 9 Vacuum Breaker	5323006	V-500-A <b>C4107</b>
	1 1/2 x 9 Vacuum Breaker	5323007	V-500-A <b>C4108</b>
11.	1 1/2" CP Spud Coupling	0306125	F-5-A <b>C3992</b>
	1 1/4" CP Spud Coupling	0306140	F-5-A <b>C3994</b>
	3/4" CP Spud Coupling	0306146	F-5-A <b>C3995</b>
12.	CP Stop Coupling	0308676	H-550 <b>C4003</b>
13.	CP Adjustable Tailpiece 2 1/16" Long	0308801	H-551-A <b>C4007</b>
14.	"O" Ring	5308696	H-553 <b>C4089</b>
15.	CP 1" Screwdriver Bak-Chek Control Stop	0308757	H-600-A <b>C4005</b>
	CP 3/4" Screwdriver Bak-Chek Control Stop	0308724	H-600-A <b>C4004</b>
16.	3/4" Decorative Stop Cap	3305816	EBV-1019-A
	1" Decorative Stop Cap	3308866	H-574 <b>C4059</b>
<b>ACCESSORIES</b>			
17.	Beam Deflector	3305537	EBV-46-A
<b>STOP REPAIR KITS</b>			
	1" Screwdriver Stop Repair Kit	3308853	H-541-A <b>C4055</b>
	3/4" Screwdriver Stop Repair Kit	3308856	H-543-A <b>C4057</b>



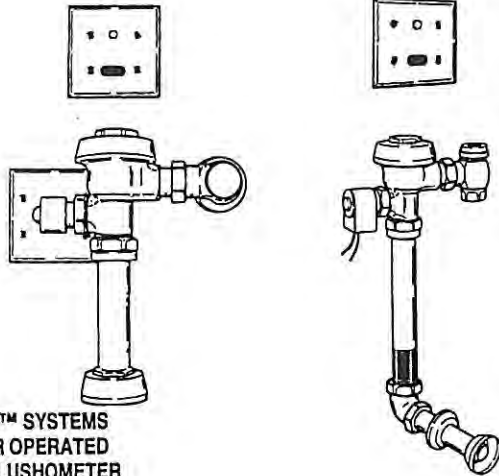
**Retrofit Kits to convert manual Flushometers to OPTIMA.**

Cat. No.	Description
C3977	3 GPF Urinal Kit
C3978	1.5 GPF Urinal Kit
C3979	3.5 GPF Closet Kit
C3980	1.6 GPF Closet Kit

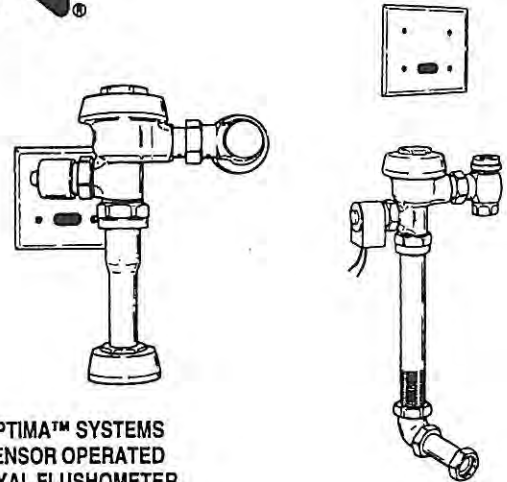
Includes 1, 2A or 2B, 3-6, 8, 16

*Batteries:* When required, replace batteries with four (4) Duracell Alkaline AA (Model MN-1500) Batteries.

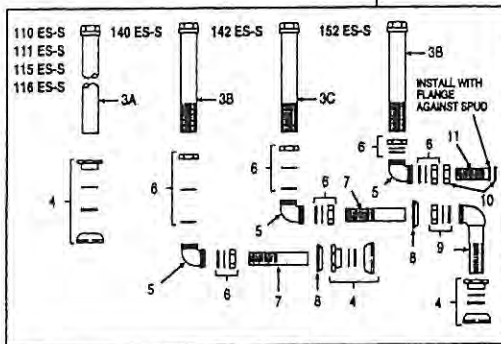
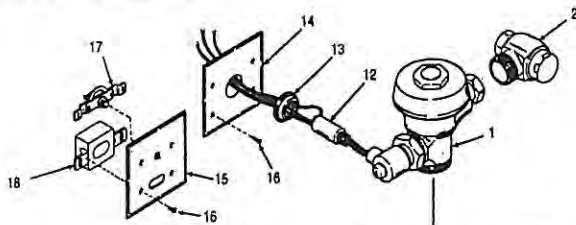
# SLOAN.



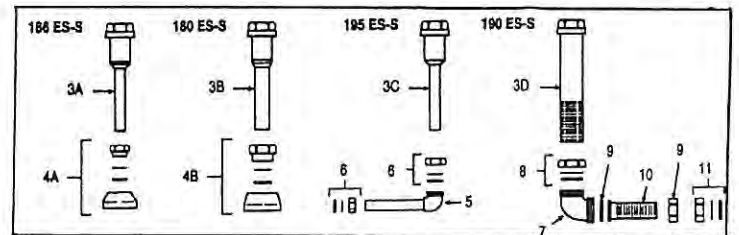
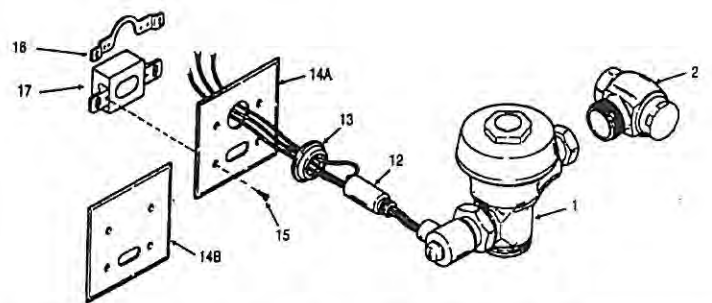
**OPTIMA™ SYSTEMS  
SENSOR OPERATED  
ROYAL FLUSHOMETER  
CONCEALED & EXPOSED  
CLOSET INSTALLATIONS**



**OPTIMA™ SYSTEMS  
SENSOR OPERATED  
ROYAL FLUSHOMETER  
CONCEALED & EXPOSED  
URINAL INSTALLATIONS**



- 1 Solenoid Operated Valve Assembly
- 2 H-600-A\* Bak-Chek Control Stop
- 3A V-500-A 1 1/2" (3.8 cm) x 9" (22.5 cm) Vacuum Breaker Assembly CP (Model 110/111 ES-S)
- 3B V-500-AA 1 1/2" (3.8 cm) x 211/2" (53.8 cm) Vacuum Breaker Assembly CP (Model 115 ES-S)
- 3C V-500-AA 1 1/2" (3.8 cm) x 241/2" (61.3 cm) Vacuum Breaker Assembly CP (Model 116 ES-S)
- 3B V-500-A 1 1/2" (3.8 cm) x 111/2" (28.8 cm) Vacuum Breaker Assembly RB (Models 140 ES-S & 152 ES-S)
- 3C V-500-A 1 1/2" (3.8 cm) x 6" (15 cm) Vacuum Breaker Assembly RB (Model 142 ES-S)
- 4 F-5-A 11/2" (3.8 cm) Spud Coupling Assembly CP
- 5 F-21 11/2" (3.8 cm) Double Slip Elbow
- 6 F-2-AA 11/2" (3.8 cm) Slip Joint Coupling (Set of two)
- 7 F-102 11/2" (3.8 cm) Outlet Tube CP
- 8 F-7 Flange
- 9 F-25-A 11/2" (3.8 cm) Elbow Assembly
- 10 F-2-A Coupling with S-21 Gasket
- 11 F-102 11/2" (3.8 cm) Outlet Tube CP
- 12 EL-123-A Nipple Assembly
- 13 EL-176-A Flange Assembly
- 14 HY-66 Plate
- 15 EL-201 Plate
- 16 EL-152 Screw (4 required per plate)
- 17 EL-141-A Yoke and Override Button Assembly
- 18 EL-1011-A Closet Sensor

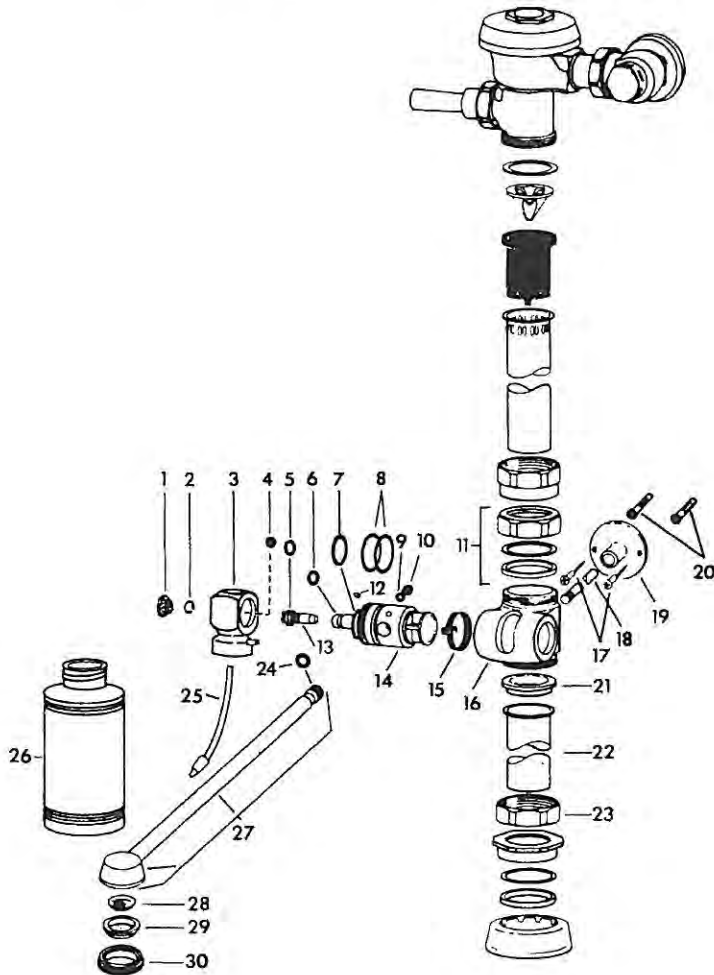


- 1 Solenoid Operated Valve Assembly
- 2 H-600-A\* Bak-Chek Control Stop
- 3A V-500-AA 3/4" (1.9 cm) x 9" (22.5 cm) Vacuum Breaker Assembly CP (Model 186 ES-S)
- 3B V-500-AA 11/4" (3.1 cm) x 9" (22.5 cm) Vacuum Breaker Assembly CP (Model 180 ES-S)
- 3C V-500-AA 3/4" (1.9 cm) x 101/2" (26.3 cm) Vacuum Breaker Assembly RB (Model 195 ES-S)
- 3D V-500-AA 11/2" (3.8 cm) x 11" (27.5 cm) Vacuum Breaker Assembly RB (Model 190 ES-S)
- 4A F-5-A 3/4" (1.9 cm) Spud Coupling Assembly (Model 186 ES-S)
- 4B F-5-A 11/4" (3.1 cm) Spud Coupling Assembly (Model 180 ES-S)
- 5 F-15-A ELL with 3/4" (1.9 cm) Tall (Model 195 ES-S)
- 6 F-2-AW 3/4" (1.9 cm) Slip Joint Coupling (Model 195 ES-S)
- 7 F-21 Double Slip Elbow (Model 190 ES-S)
- 8 F-2A 11/2" (3.8 cm) Slip Joint Coupling (Model 190 ES-S)
- 9 F-2A Coupling with S-21 Gasket
- 10 F-110 11/4" (3.1 cm) O.D. Outlet
- 11 F-2-A-U 11/4" (3.1 cm) Slip Joint Coupling
- 12 EL-123-A Nipple Assembly
- 13 EL-176-A Flange Assembly
- 14A EL-151 Plate (Models 180 ES-S and 186 ES-S)
- 14B EL-161 Plate (Models 190 ES-S and 195 ES-S)
- 15 EL-152 Screw (4 required)
- 16 EL-168-A Yoke Assembly
- 17 EL-1010-A Urinal Sensor

\*Part Number varies with valve model variation; consult factory.

**SLOAN**

**SLIMLINE BEDPAN WASHER  
 REPAIR PARTS & KITS**



**REPAIR PARTS**

ITEM NO	DESCRIPTION	CODE NO	CAT NO.
1	DV-21 CP Plug Button	0309024	
2	DV-24 Retaining Ring	0309017	
3	DV-33-A Swivel & Ball Check Assem.	0309033	
4	DV-27 Ground Rubber Ball	0309035	
5	DV-22 "O" Ring	0309025	
6	DV-20 "O" Ring	0309023	
7	H-549 "O" Ring	0308675	
8	DO-6 Diverter "O" Ring (2)Req	0337075	
9	DV-16 Diverter Valve Seal Washer	0309016	
10	DV-14 Diverter Valve Seal	0309014	
11	F-2-A CP 1½ SJ Cplg. Assem.	0306093	C3991
12	DV-4 Set Screw	0309004	C6391
13	DV-23 Adjusting Screw	0309026	
14	DV-34-A Deoseptic Unit Nozzle Pivot	0309034	
15	DV-15 Counterbalance Spring	0309015	
16	DV-1 CP Deoseptic Body	0309001	
17	CP Spl. SH-37 #10 Wd. Screw (2) Req.	0328095	
18	DV-13 CP Support Rod	0309013	C6390
19	DV-12 CP Wall Flange w/Set Screw	0309012	
20	K-57 Lead Anchor 5/16 O.D. (2) Req.	0311048	
21	F-1003 Outlet Tube Gasket	0309027	
22	F-1005 CP Outlet Tube	0309029	
23	F-2 CP 1½ Coupling Only	0306045	
24	DV-3 "O" Ring	0309003	C6389
25	DV-36-A Aspirator Tube Assem.	0309036	
26	DV-29 Deoseptic Bottle	0309018	
27	DV-32-A CP Nozzle & Tube Assem.	0309032	
28	DV-11 Nozzle Screen	0309011	
29	DV-10 Nozzle Spray Disc	0309010	
30	DV-9 Spray Disc Retainer	0309009	

**REPAIR KITS**

DESCRIPTION	CODE NO	CAT NO.
"O" Ring Seal Set for BPW-1000 & 1010 (less Deoseptic Unit) Includes Item Nos. 8-9-10-12-15-24-28-29	5309031	C4092
"O" Ring Seal Set for BPW-1005 & 1015 (w/Deoseptic Unit) Includes Item Nos. 2-4-5-6-7-8-9-10-12-13-15-24-25-28-29	3309040	
Repair Kit for Diverter Valve Used on BPW-1000, 1005, 1010 & 1015 Includes Item Nos. 12-24-27-28-29-30	3309044	C4060
Deoseptic Conversion Kit for BPW-1000 & 1010 Includes Item Nos. 1-2-3-4-5-6-7-8-9-10-12-13-14-24-25-26	3309048	

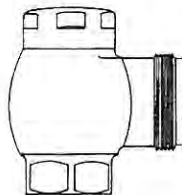
934 S.E. Sixth Avenue • Portland, Oregon 97214 • (503) 235-2167 • (800) 929-5039 • Fax (503) 239-3774

**COMPLETE CONTROL STOPS**



**H-600-A & H-600-AG 1" SCREW DRIVER ANGLE STOP**

DESCRIPTION	CAT NO.	CODE NO
H-600-A 1" Screw Driver Control Stop CP Complete	C4005	0308757
H-600-AG 1" Screw Driver Control Stop CP Complete	C4018	0308893

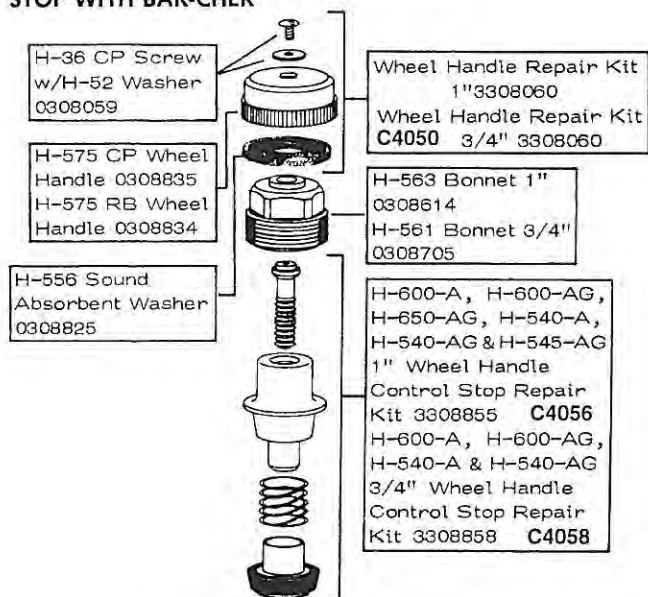


**H-600-A & H-600-AG 3/4" SCREW DRIVER ANGLE STOP**

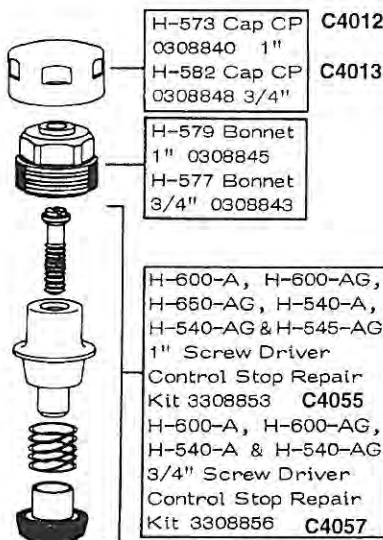
DESCRIPTION	CAT NO.	CODE NO
H-600-A 3/4" Screw Driver Control Stop CP Complete	C4004	0308724
H-600-AG 3/4" Screw Driver Control Stop CP Complete	C4017	0308891

**CONTROL STOP REPAIR KITS**

**H-600-A, H-600-AG, H-650-AG, H-540-A, H-540-AG & H-545-AG WHEEL HANDLE STOP WITH BAK-CHEK**

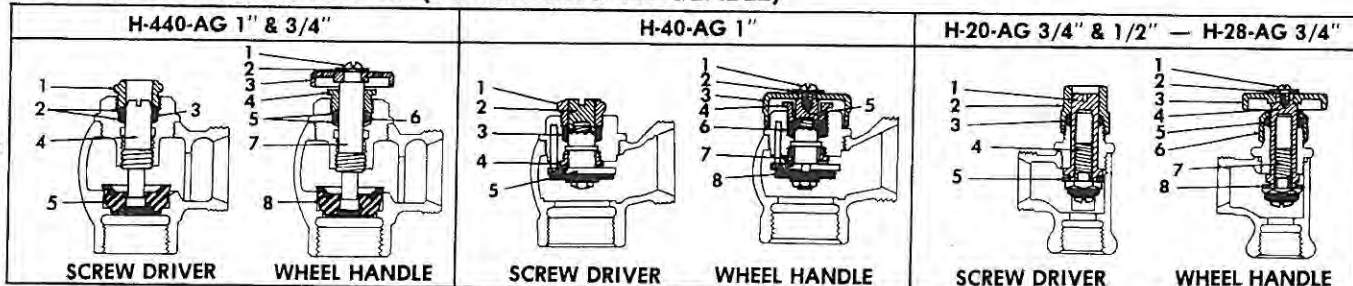


**H-600-A, H-600-AG, H-650-AG, H-540-A, H-540-AG & H-545-AG SCREW DRIVER STOP WITH BAK-CHEK**



**OBSOLETE CONTROL STOPS (REPAIR KITS AVAILABLE)**

#5 & #8  
C4090  
5308836  
3/4" Plug Seat  
  
C4091  
5308850  
1" Plug Seat



**H-440-AG 1" SCREW DRIVER STOP**

DESCRIPTION	Code No
Repair Kit incl. Items 1-5	3308453

**H-440-AG 1" WHEEL HANDLE STOP**

DESCRIPTION	Code No
Repair Kit incl. Items 1-8	3308454

**H-440-AG 3/4" SCREW DRIVER STOP**

DESCRIPTION	Code No
Repair Kit incl. Items 1-5	3308442

**H-440-AG 3/4" WHEEL HANDLE STOP**

DESCRIPTION	Code No
Repair Kit incl. Items 1-8	3308443

**H-40-AG 1" SCREW DRIVER STOP** C4052

DESCRIPTION	Code No
Repair Kit incl. Items 1-5	3308277

**H-40-AG 1" WHEEL HANDLE STOP**

DESCRIPTION	Code No
Repair Kit incl. Items 1-8	3308278

**H-20-AG 3/4" & 1/2" SCREW DRIVER STOP**

DESCRIPTION	Code No
Repair Kit incl. Items 1-5	3308102

**H-20-AG 3/4" & 1/2" WHEEL HANDLE STOP**

DESCRIPTION	Code No
Repair Kit incl. Items 1-8	3308103

**H-10-AG & H-15-AG 1" SCREW DRIVER STOP**

DESCRIPTION	Code No
Repair Kit (Not Shown)	3308095

**H-10-AG & H-15-AG 1" WHEEL HANDLE STOP**

DESCRIPTION	Code No
Repair Kit (Not Shown)	3308096

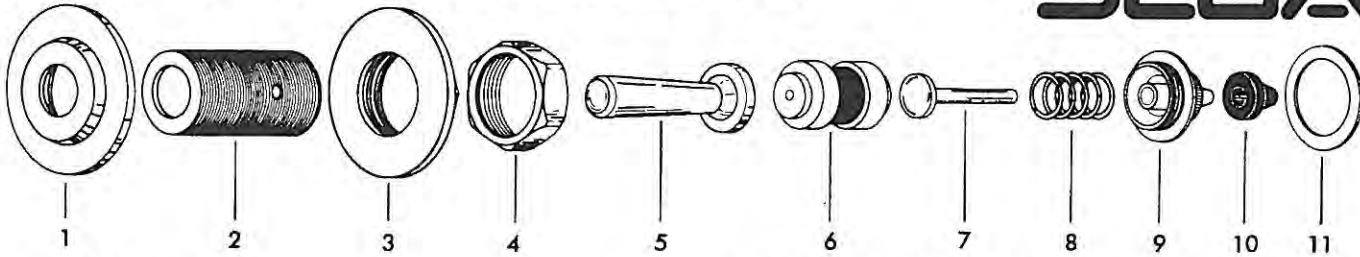
C4051

205

934 S.E. Sixth Avenue • Portland, Oregon 97214 • (503) 235-2167 • (800) 929-5039 • Fax (503) 239-3774

## HANDLE FOR CONCEALED ROYAL & CROWN

# SLOAN®



### REPAIR KITS

DESCRIPTION	CAT NO.	CODE NO
C-70-A Handle Repair Kit contains Item Nos 7-11	C4049	3302307
B-50-A Handle Repair Kit for Old Style Handle w/ Flanged Wall Socket	C4077	5302305

### REPAIR PARTS

ITEM NO	DESCRIPTION	CODE NO
1	B-23 CP Wall Flange 2-3/4 OD	0302248
	B-23 CP Wall Flange 3-1/2 OD	0302257

### REPAIR PARTS (CONT)

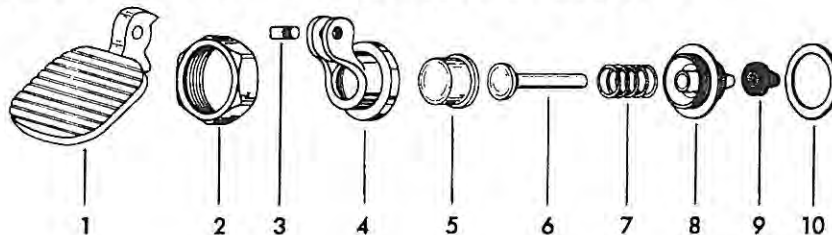
ITEM NO	DESCRIPTION	CAT NO.	CODE NO
3	B-24 RB Locknut		0302260
4	A-6 RB Coupling		0301083
5	B-32 CP Grip		0302274
	NB-32 Nickel-Silver Grip		0314114
7	B-8-A Plunger		*
8	C-7 Spring		*
9	B-41 Bushing		*
10	B-39 Seal	C4076	0302297
11	A-31 Handle Gasket	C4068	0301139

\*Available in Kit only

### "L" DIM. (FACE OF FINISHED WALL TO CENTER OF SUPPLY)

ITEM NO	DESCRIPTION	3-3/4	4-3/4	5-3/4	6-3/4	7-3/4	8-3/4	9-3/4	10-3/4	11-3/4	12-3/4	13-3/4	14-3/4
6	B-15-A Filler Rod	0302192	0302197	0302201	0302208	0302211	0302216	0302219	C3986	0302226	0302301	0302232	0302233
2	B-6 Wall Socket	0302013	-	-	-	-	-	-	C3985	-	-	-	-
	B-6-A Wall Socket	-	0302037	0302042	0302050	0302054	0302059	0302063	C3985	0302074	0302077	0302080	0302081
1-11	B-12-A Handle Assem	0302116	0302124	0302131	0302138	0302146	0302152	0302158	C3984	0302164	0302165	0302167	0302169

## PEDAL PUSH BUTTON FOR EXPOSED ROYAL & CROWN



### REPAIR KITS

DESCRIPTION	CAT NO.	CODE NO
B-40-A Repair Kit contains Item Nos 4-10	C4048	3302304
B-5-A Repair Kit contains Item Nos 4,8-10		3302004

### REPAIR PARTS

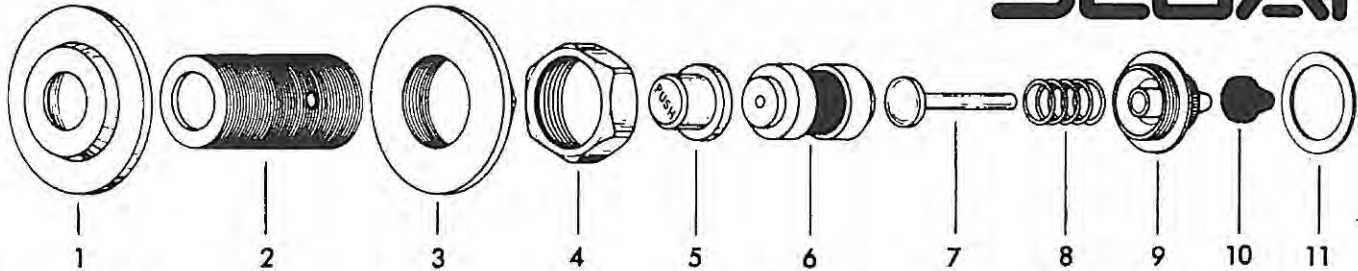
ITEM NO	DESCRIPTION	CODE NO
1-10	C-33-A Pedal PB Assem	0303289
1	C-34 CP Pedal	0303293

### REPAIR PARTS (CONT)

ITEM NO	DESCRIPTION	CAT NO.	CODE NO
2	A-6 Coupling	C5421	0301082
3	C-35 CP Screw		0303298
4	C-33 CP Socket		*
5	C-37 CP Push Button		*
6	B-8-A Plunger (Special)		*
7	B-10 Spring		*
8	B-49 Bushing		*
9	B-39 Seal	C4076	0302297
10	A-31-P Gasket	C4068	0301140

\*Available in Kit only

**PUSH BUTTON FOR CONCEALED ROYAL & CROWN**



**REPAIR KITS**

DESCRIPTION	CAT NO.	CODE NO
C-70-A Push Button Repair Kit contains Item Nos 7-11	C4049	3303398

**REPAIR PARTS (CONT)**

ITEM NO	DESCRIPTION	CAT NO.	CODE NO
1	B-23 CP Wall Flange 3-1/2 OD		0302257
3	B-24 RB Locknut		0302260
4	A-6 RB Coupling		0301083
5	C-2 Index Push Button		0303002
7	B-8-A Plunger		*
8	C-7 Spring		*
9	B-41 Bushing		*
10	B-39 Seal	C4076	5302297
11	A-31 Gasket	C4068	5301139

**REPAIR PARTS**

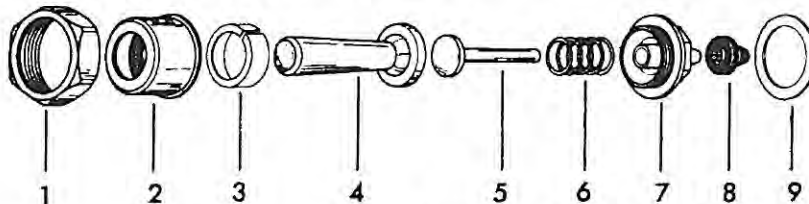
ITEM NO	DESCRIPTION	CODE NO
1	B-23 CP Wall Flange 2-3/4" OD	0302248

\*Available in Kit only

**"L" DIM. (FACE OF FINISHED WALL TO CENTER OF SUPPLY)**

ITEM NO	DESCRIPTION	3-3/4	4-3/4	5-3/4	6-3/4	7-3/4	8-3/4	9-3/4	10-3/4	11-3/4	12-3/4	13-3/4	14-3/4
6	B-15-A Filler Rod	0302192	0302197	0302201	0302208	0302211	0302216	0302219	0302223	0302226	0302301	0302232	0302233
2	B-6 Wall Socket	0302013	-	C4103	-	-	-	-	-	-	-	-	-
	B-6-A Wall Socket	-	0302037	0302042	0302050	0302054	0302059	0302063	C3984	0302074	0302077	0302080	0302081
1-11	C-9-A PB Assem	0303036	0303054	0303064	0303074	0303087	0303095	0303108	0303117	0303124	0303129	0303135	0303137
1-11	C-9-A PB Assem VP	0303041	0303044	0303066	0303076	0303088	0303099	0303109	0303120	0303126	0303132	0303136	0303140

**HANDLE FOR EXPOSED ROYAL & CROWN**



**REPAIR KIT**

DESCRIPTION	CAT NO.	CODE NO
B-50-A Handle Repair Kit contains Item Nos. 5-9	C4077	5302305

**REPAIR PARTS**

ITEM NO	DESCRIPTION	CODE NO	
2-9	B-32-A CP Handle Assem	C4075	0302279
	B-32-A Nickel-Silver Handle Assem	C3987	0302293

**REPAIR PARTS (CONT)**

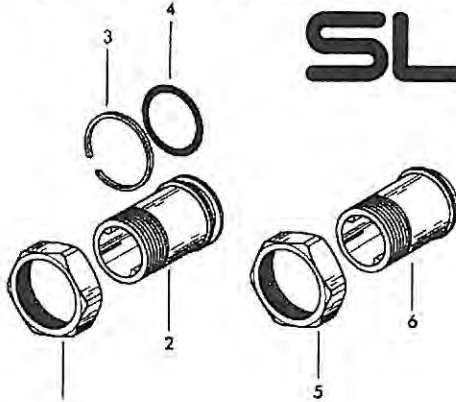
ITEM NO	DESCRIPTION	CAT NO.	CODE NO
1	A-6 CP Coupling	C5421	0301082
2-3	B-7-A Handle Socket		0302109
4	B-32 CP Grip	C4074	5302274
	NB-32 Nickel-Silver Grip		0314114
5	B-8-A Plunger		*
6	B-10 Spring		*
7	B-40 Bushing		*
8	B-39 Seal	C4076	5302297
9	A-31 Handle Gasket	C4068	5301139

\*Available in Kit only

267

934 S.E. Sixth Avenue • Portland, Oregon 97214 • (503) 235-2167 • (800) 929-5039 • Fax (503) 239-3774

## TAILPIECES



# SLOAN

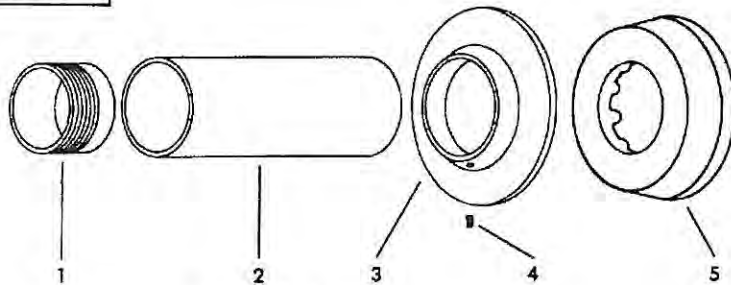
## REPAIR PARTS

ITEM NO	DESCRIPTION	CAT NO.	CODE NO
1	H-550 CP Cplg f/Adj Tail	C4003	0308676
	H-550 RB Cplg f/Adj Tail		0308690
2-4	H-551-A CP 2-1/16 Adj Tail Assem	C4007	0308801
	H-551-A CP 3-1/16 Adj Tail Assem	C4008	0308803
	H-551-A CP 4-1/16 Adj Tail Assem	C4009	0308805
	H-551-A CP 5-1/16 Adj Tail Assem	C4010	0308807
	H-551-A CP 6-1/16 Adj Tail Assem	C4011	0308809
	NH-551-A NP 2-1/16 Adj Tail Assem		0314289
	NH-551-A CP 2-1/16 Adj Tail Assem		-
	H-551-A RB 2-1/16 Adj Tail Assem		0308802

## REPAIR PARTS (CONT)

ITEM NO	DESCRIPTION	CAT NO.	CODE NO
3	H-552 Lock Ring	C4087	0308381
4	H-553 O Ring	C4089	0308696
5	H-6 CP Cplg f/GJ Tail		0308063
	H-6 RB Cplg f/GJ Tail		0308064
6	H-5 CP 1-1/4 GJ Tail		0308019
	H-5 CP 1-1/2 GJ Tail		0308023
	H-5 CP 1-3/4 GJ Tail	C4000	0308026
	H-5 CP 2 GJ Tail	C4001	0308030
	H-5 CP 2-1/4 GJ Tail		0308031
	H-5 CP 2-1/2 GJ Tail		0308033
	H-5 CP 2-3/4 GJ Tail		0308034
	H-5 CP 3 GJ Tail		0308035
	H-5 CP 3-1/4 GJ Tail		0308037
	H-5 CP 3-1/2 GJ Tail		0308038
	H-5 CP 3-3/4 GJ Tail		0308040
	H-5 CP 4 GJ Tail		0308041
	H-5 CP 4-1/4 GJ Tail		0308042
	H-5 CP 4-1/2 GJ Tail		0308043
	H-5 CP 4-3/4 GJ Tail		0308044
	H-5 CP 5 GJ Tail		0308045
	H-5 CP 5-1/4 GJ Tail		-
	H-5 CP 5-1/2 GJ Tail		0308047
H-5 CP 5-3/4 GJ Tail		-	
H-5 CP 6 GJ Tail		0308050	
NH-5 CP 1-3/4 GJ Tail		0314276	
H-5 RB 1-1/4 GJ Tail		0308018	

## SWEAT SOLDER KITS



### H-536-A

ITEM NO	DESCRIPTION	CAT NO.	CODE NO
1-4	H-536-A Sweat Solder Kit for 3/4" Supply-Urinals	C3970	3308786
1	H-535 3/4" Adaptor *		3308607
1	H-536-AS Sweat Solder Kit w/Stamped Wall Flange for 3/4" Supply-Closet & Urinal	C3970	3308786
1-4	H-536-AC Sweat Solder Kit w/Cast Wall Flange for 3/4" Supply-Closet & Urinal		3308798

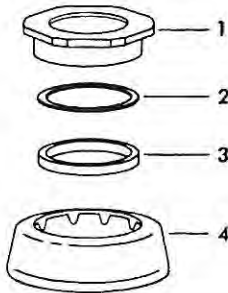
### H-533-A

ITEM NO	DESCRIPTION	CAT NO.	CODE NO
1-4	H-533-A Sweat Solder Kit for 1" Supply-Closet & Urinal	C3969	3308780
1	H-532 1" Adaptor *		3308603
1	H-533-AS Sweat Solder Kit w/Stamped Wall Flange for 1" Supply-Closet & Urinal	C3969	3308780
1-4	H-533-AC Sweat Solder Kit w/Cast Wall Flange for 1" Supply-Closet & Urinal		3308794



**SPUD COUPLING ASSEMBLIES**

**SLOAN**



**NOTE:**  
3 1/2" Spud Flange available in Old Style only.

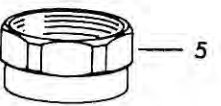
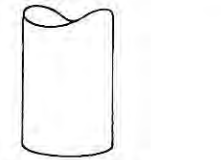
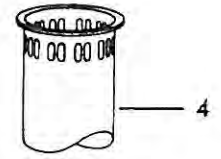
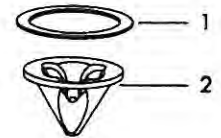
**F-5-A**

ITEM NO	DESCRIPTION	CAT NO.	CODE NO
1-4	F-5-A CP 3/4 Spud Coupling Assem	C3992	0306125
	F-5-A CP 1 Spud Coupling Assem	C3993	0306132
	F-5-A CP 1-1/4 Spud Coupling Assem	C3994	0306140
	F-5-A CP 1-1/2 Spud Coupling Assem	C3995	0306146
1-3	F-20-A 3/4 Spud Coupling		0396516
	F-20-A 1 Spud Coupling		0306538
	F-20-A 1-1/4 Spud Coupling	C3996	0306524
2	F-20-A 1-1/2 Spud Coupling	C3997	0306526
	F-3 3/4 Friction Ring	C4078	0306055
	F-3 1 Friction Ring	C4079	0306056
	F-3 1-1/4 Friction Ring	C4080	0306057
	F-3 1-1/2 Friction Ring	C4081	0306058
3	F-5 3/4 SJ Gasket	C4082	0306113
	F-5 1 SJ Gasket	C4083	0306115
	F-5 1-1/4 SJ Gasket	C4105	0322176
4	F-5 1-1/2 SJ Gasket	C4103	0322001
	F-7 3/4 Spud Flange		0306189
	F-7 1 Spud Flange		0306197
	F-7 1-1/4 Spud Flange		0306214
	F-7 1-1/2 Spud Flange		0306238

**VACUUM BREAKERS**



**V-500-A**



**V-500-AA**

**V-500-A**

ITEM NO	DESCRIPTION	CODE NO	CAT NO.
1-3	Repair Kit for V-500 Series	3323192	C4064
1-5	Complete V-500-A	5323010	C4109

**V-500-AA**

ITEM NO	DESCRIPTION	CODE NO	CAT NO.
1-3	Repair Kit for V-500 Series	3323192	C4004
	3/4 x 9 CP Vac Breaker	5323005	C4106
	1 x 9 CP Vac Breaker	0323012	C4029
	1-1/4 x 9 CP Vac Breaker	5323006	C4107
	1-1/4 x 10-1/2 CP Vac Breaker	0323018	C4027
	3/4 x 15 CP Vac Breaker	0323020	C6459
	1-1/2 x 9 CP Vac Breaker	5323007	C4108
1-5	1-1/2 x 13-1/2 CP Vac Breaker	0323014	C4031
	1-1/2 x 21-1/2 CP Vac Breaker	0323015	C4032
	1-1/2 x 24-1/2 CP Vac Breaker	0323016	C4033
	1	G-44 1-1/2 Friction Ring	5307071
2	V-552 Baffle	*	
3	V-551 Rubber Sleeve	*	
5	V-553-A CP Coupling	0323120	C4036

\* N/A Order C4064

V-100-A and V-100-AA Discontinued--replace with V-500-A or V-500-AA. Trim outlet tube to suit.

**V-101-A**  
**VACUUM BREAKER REPAIR KIT**  
for  
V-100-A or  
V-100-AA

**INSTALLATION INSTRUCTIONS**

Knock-out old V-101 unit from bottom of V-100-A Vacuum Breaker as shown in Fig. 1.

Press V-569 Brass Sleeve into V-100-A Vacuum Breaker Housing until Sleeve comes to a solid stop at shoulder in Vacuum Breaker Housing.

**NOTE: V-569 BRASS SLEEVE MUST BE INSTALLED STRAIGHT AND WITH VENT HOLES CLOSE TO TOP AS SHOWN IN Fig. 2.**

Assemble V-568 Rubber Sleeve and V-552 Baffle and insert assembly into V-569 Brass Sleeve as shown on front. Fasten Vacuum Breaker to Flush Valve.

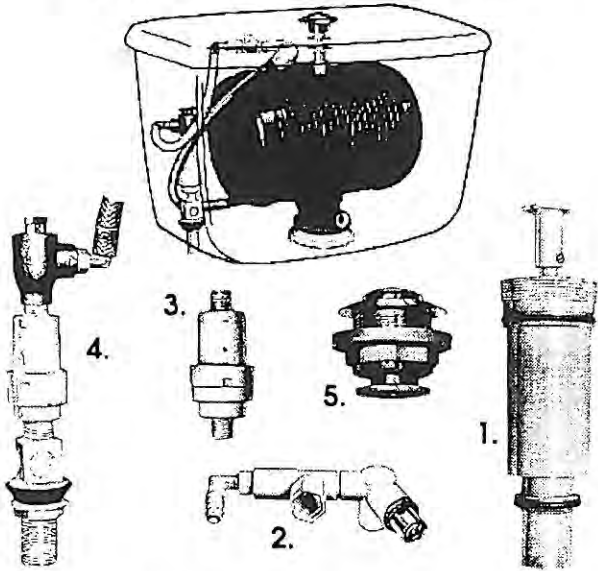
**ORDER**

**C4063**  
3322079

**C4037**  
0323178  
V568  
Rubber Sleeve only

## SLOAN®

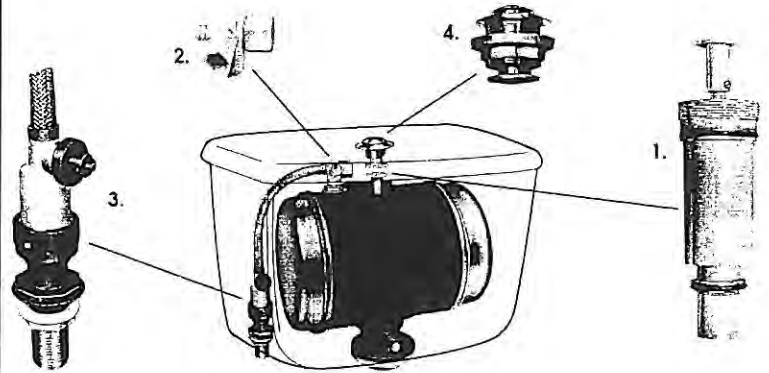
### 500 Series Replacement Parts



#### Consumer List Prices of Components for 500 Series

1. Flush Valve Cartridge Kit	C-100500-K	<b>C6395</b>
2. Upper Supply (discontinued)	REPLACE WITH:	
Supply Group Retrofit Kit	RK100100	<b>C6397</b>
3. Pressure Regulator Valve	B-112288	
4. Lower Supply (discontinued)	REPLACE WITH:	
Supply Group Retrofit Kit	RK100100	<b>C6397</b>
5. Flush Button Assembly (not connected)	C-109999 <b>Convex</b>	
Chrome Finish	DP500999-1	<b>C6396</b>
Bright Brass	DP500888-1	

### 501-A Series Replacement Parts



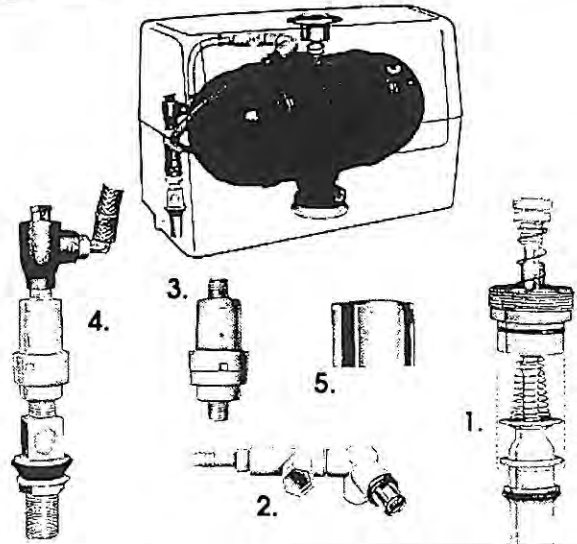
#### Consumer List Prices of Components for 501-A Series

1. Flush Valve Cartridge Kit	C-100500-K	<b>C6395</b>
2. Upper Supply Kit	BU100503-K	<b>C6393</b>
3. Lower Supply Kit	BL100504-K	<b>C6392</b>
4. Push Button Assembly (not connected)	<b>Convex</b>	
Chrome Finish	DP500999-1	<b>C6396</b>
Bright Brass	DP500888-1	

### 200 Series Replacement Parts

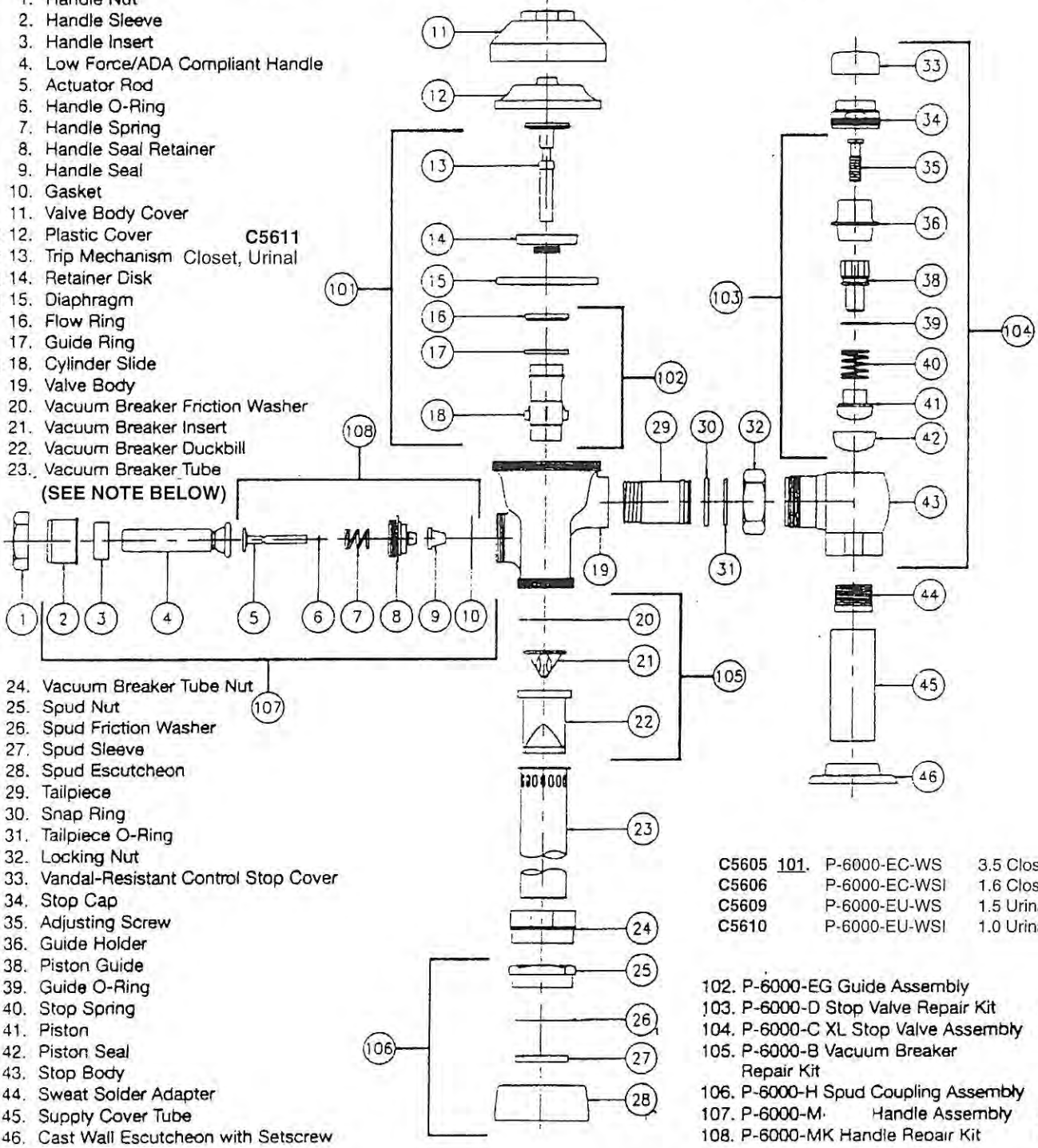
#### Consumer List Prices of Components for 200 Series

1. Flush Valve Cartridge Kit	C-100101-K	<b>C6394</b>
2. Upper Supply (discontinued)	REPLACE WITH:	
Supply Group Retrofit Kit	RK100100	<b>C6397</b>
3. Pressure Regulator Valve	B-112288	
4. Lower Supply (discontinued)	REPLACE WITH:	
Supply Group Retrofit Kit	BK100100	
5. Flush Button (CP only)	C-109999	



**ZURN AQUAFLUSH Z-6000XL PARTS IDENTIFICATION  
FOR HANDLE-OPERATED FLUSH VALVES**

- 1. Handle Nut
- 2. Handle Sleeve
- 3. Handle Insert
- 4. Low Force/ADA Compliant Handle
- 5. Actuator Rod
- 6. Handle O-Ring
- 7. Handle Spring
- 8. Handle Seal Retainer
- 9. Handle Seal
- 10. Gasket
- 11. Valve Body Cover
- C5612 12. Plastic Cover C5611
- C5607 13. Trip Mechanism Closet, Urinal
- C5603 14. Retainer Disk
- C5604 15. Diaphragm
- 16. Flow Ring
- 17. Guide Ring
- C5608 18. Cylinder Slide
- 19. Valve Body
- 20. Vacuum Breaker Friction Washer
- 21. Vacuum Breaker Insert
- 22. Vacuum Breaker Duckbill
- 23. Vacuum Breaker Tube  
(SEE NOTE BELOW)



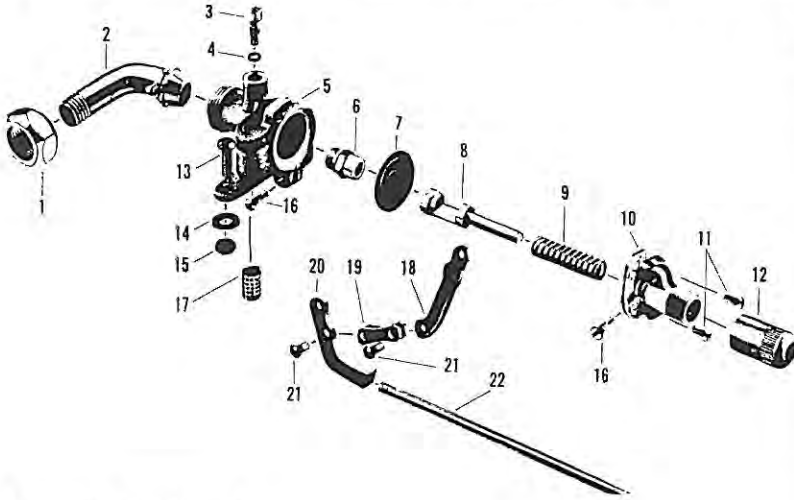
- 24. Vacuum Breaker Tube Nut
- 25. Spud Nut
- 26. Spud Friction Washer
- 27. Spud Sleeve
- 28. Spud Escutcheon
- 29. Tailpiece
- 30. Snap Ring
- 31. Tailpiece O-Ring
- 32. Locking Nut
- 33. Vandal-Resistant Control Stop Cover
- 34. Stop Cap
- 35. Adjusting Screw
- 36. Guide Holder
- 38. Piston Guide
- 39. Guide O-Ring
- 40. Stop Spring
- 41. Piston
- 42. Piston Seal
- 43. Stop Body
- 44. Sweat Solder Adapter
- 45. Supply Cover Tube
- 46. Cast Wall Escutcheon with Setscrew

- C5605 101. P-6000-EC-WS 3.5 Closet Kit
- C5606 P-6000-EC-WSI 1.6 Closet Kit
- C5609 P-6000-EU-WS 1.5 Urinal Kit
- C5610 P-6000-EU-WSI 1.0 Urinal Kit
- 102. P-6000-EG Guide Assembly
- 103. P-6000-D Stop Valve Repair Kit C5602
- 104. P-6000-C XL Stop Valve Assembly C5601
- 105. P-6000-B Vacuum Breaker Repair Kit
- 106. P-6000-H Spud Coupling Assembly
- 107. P-6000-M Handle Assembly C5613
- 108. P-6000-MK Handle Repair Kit C5614

**NOTE - ITEM 23**  
 C5617 3/4" x 9" Vacuum Breaker  
 C5616 3/4" x 21" Vacuum Breaker  
 C5615 1-1/4" x 9" Vacuum Breaker  
 C5600 1-1/2" x 9" Vacuum Breaker



934 S.E. Sixth Avenue • Portland, Oregon 97214 • (503) 235-2167 • (800) 929-5039 • Fax (503) 239-3774



## TANK FITTING

Model Number 3207  
Series (R 3111)



no.	description	part no.
1	Coupling Nut	24207-02
2	Swivel	24051-02
3	Regulating Screw	958-27
4	Static Seal	1029-27
5	Body w/seat	8329-07*
6	Seat	965-34
7	Diaphragm	21903-07
8	Plunger	946-27*
9	Spring	494-17*
10	Top	1437-17
11	Top Screw	159-17
12	Regulating Cap	1041-17*
13	Bolt	145-37
14	Washer	21648-07
15	Nut	217-07
16	Lever Screw	353-07
17	Stream Regulator	33952-07
18	Plunger Lever	984-27*
19	Link	1085-27
20	Rod Lever	990-27*
21	Rivet	1008-17
22	Float Rod 5" Long	32312-07*
	Float Rod 6 1/2" Long	32314-07
	Float Rod 8 3/4" Long	46159-07
	Float Rod 12" Long	32311-07
	Float Rod 14" Long	39919-07*

C3594  
C3720  
C3593  
C3548

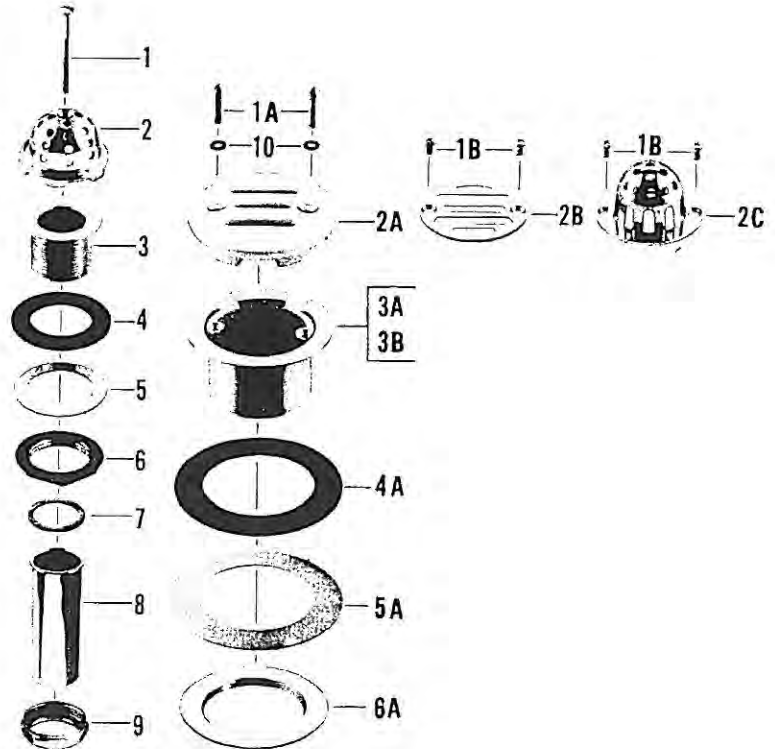
Sub-assembly  
\* NOT AVAILABLE  
(Parts 16,18,19,20 and 21) - # 8322-07

## URINAL STRAINERS

Model Numbers 3230.018 (R 3303),  
3231.016 (R 3323), 3232.014 (R 3333),  
3233.012 (R 4520)

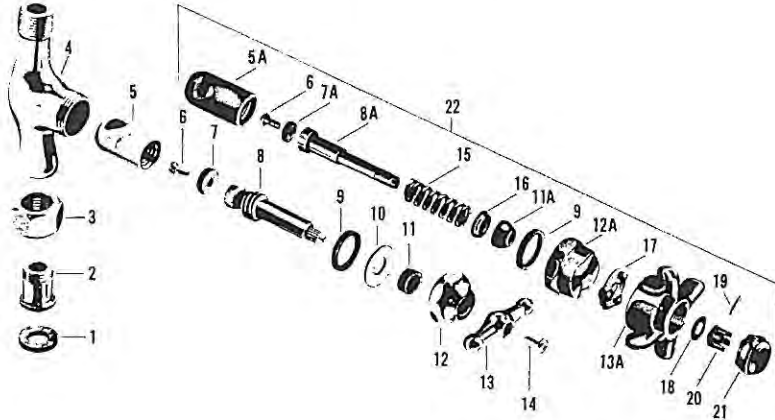
no.	description	part no.
1	Screw	1118-01
1A	Screw	385-01
1B	Screw	89-11
2	Strainer	28103-02
2A	Strainer	905-07
2B	Strainer	28184-02
2C	Strainer	1027-12
3	Plug	28238-04
3A	Plug	28185-02
3B	Plug	28185-04
4	Washer	37-17
4A	Washer	36-07
5	Friction Washer	20645-09
5A	Friction Washer	38-17
6	Lock Nut	24449-07
6A	Lock Nut	28187-07
7	Coupling Washer	51361-07
8	Tailpiece	51129-84
9	Coupling Nut	628-12
10	Washer	216-07

C3502  
C3599  
C3499



**URINAL STOPS - Compression  
and Self-Closing RE-NU**

Model Number 3224.037 (R 3210)



no.	description	part no.	
1	Coupling Washer	332-17*	
2	Collar	39602-02	
3	Coupling Nut	24346-02	
4	Body	19986-02*	
5	Re-Nu Sleeve	20336-07	
5A	Re-Nu Sleeve	21376-07	C3717
6	Seat Washer Screw	159-17	
7	Seat Washer	441-07	C3541
7A	Seat Washer	1171-27	C3610
8	Stem w/washer & Screw	63377-04	
8A	Stem w/washer & Screw	63374-07	
9	Cap Washer	1044-07	C3602
10	Brass Washer	21625-07	C3718
11	Packing	1311-07	C3618
11A	Packing	129-07	C3510
12	Cap	21437-02	
12A	Cap	21430-02	
13	Handle	31-12*	
13A	Handle	23437-02	
14	Handle Screw	173-01	C3514
15	Spring	1188-07	C3614
16	Gland	33897-07	
17	Ball Race	527-17	C3550
18	Washer	21771-07	C3719
19	Pin	433-07	
20	Stem Nut	1150-07	C3608
21	Handle Cap	23098-02	
22	Re-Nu Self-Closing Unit S/A Plain Index	9101-024	



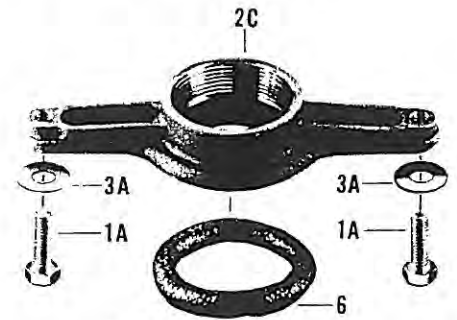
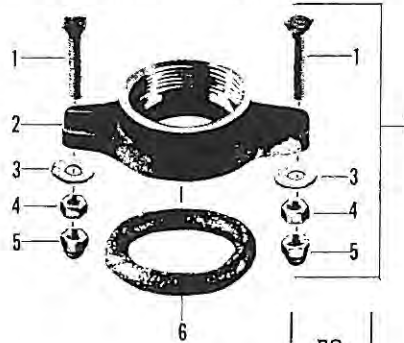
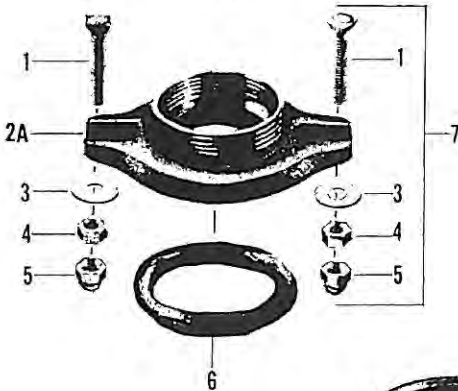
• NOT AVAILABLE

**Outlet Connections for Urinals**

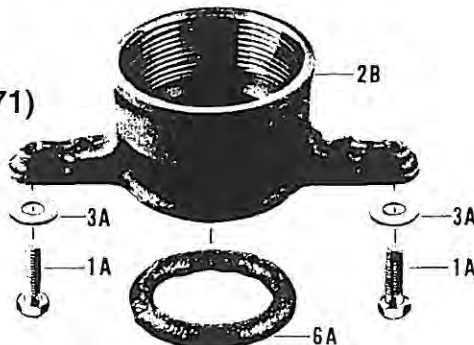
3555.018 (F 6200)

3557.014 (F 6271)

3552.015 (F 6240)

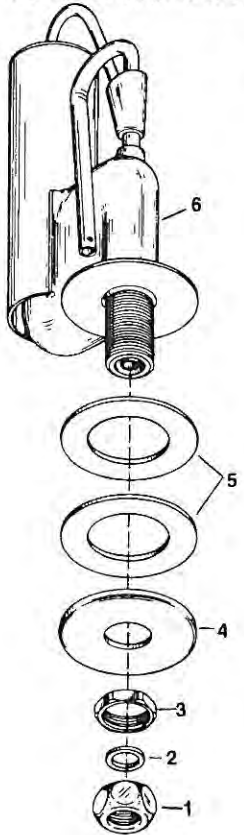


3556.016 (F 6271)



no.	description	part no.	
1	Bolt	418-17*	
1A	Bolt	32115-02	
2	Spud	32505-07	
2A	Spud	32517-07	
2B	Spud	32889-07	
2C	Spud	32882-07	
3	Washer	1896-02*	
3A	Washer	21644-02	
4	Hexagon Nut	132-11	
5	Bolt Cap	138-31	
6	Gasket	399-07	C3533
6A	Gasket	135-17	C3509
7	Bolt S/A (Parts 1-3-4-5)	12745-02	C3704

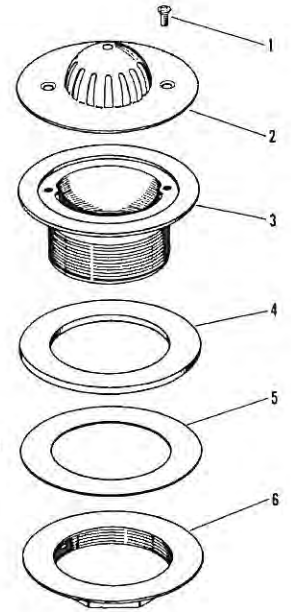
• NOT AVAILABLE



## #35316 AUTOMATIC FLUSH VALVE FOR K-4570-A URINAL TANK

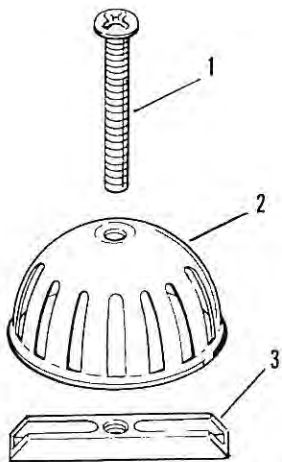
ITEM NO.	PART NO.	DESCRIPTION
1	53014	Nut
2	53106	Washer
3	53127	Nut
4	53126	Flange
5	43887	Washers
6	C1682	Order Complete Unit

# KOHLER



## K-9183 URINAL STRAINER

ITEM NO.	PART NO.	DESCRIPTION
C1859	1	53416 Screw (2)
C1858	2	53415 Strainer Plate (Screw holes 2-15/16" c-c)
	3	53379 Body
	4	53384 Washer
	5	53401 Washer
	6	53376 Nut



## #C1552 - URINAL STRAINER

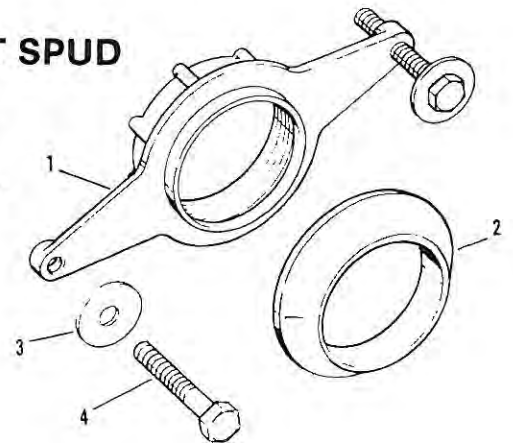
ITEM NO.	PART NO.	DESCRIPTION
C1856	1	53368 Screw
Order #	2	53149 Strainer
C1552	3	53370 Cross Bar

## #C1553 - 2" URINAL OUTLET SPUD

ITEM NO.	PART NO.	DESCRIPTION
1	53405	Collar
2	53410	Gasket C1857
3	51543	Washer
4	53407	Bolt

## #18773 - 3" URINAL OUTLET SPUD

ITEM NO.	PART NO.	DESCRIPTION
1	53451	Collar
2	53410	Gasket C1857
3	51543	Washer
4	53407	Bolt



# KOHLER