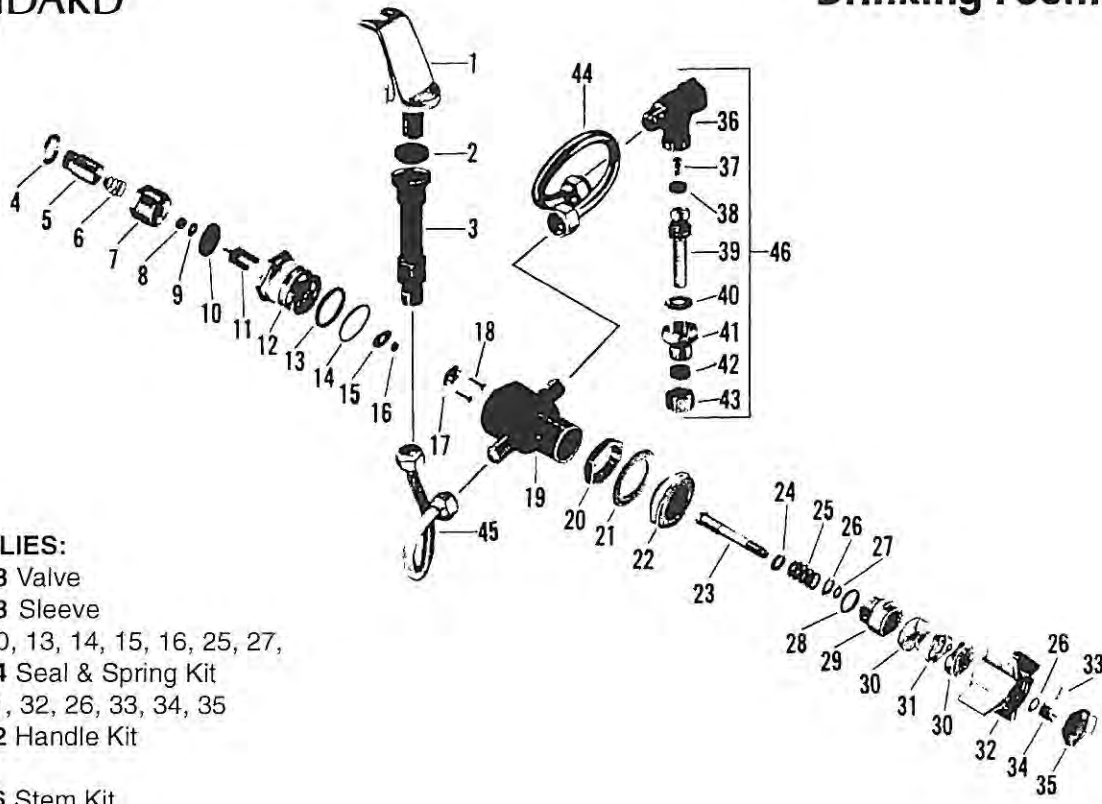




**Drinking Fountain Fitting**



**SUB-ASSEMBLIES:**

- 4-35 #C3893 Valve
- 8-18 #C3773 Sleeve
- Items 6, 8, 9, 10, 13, 14, 15, 16, 25, 27,  
#C3894 Seal & Spring Kit
- Items 30 (2), 31, 32, 26, 33, 34, 35  
#C3892 Handle Kit
- Items 23-28  
#C3896 Stem Kit

**Model Number 8004.012 (R 6009)**

| no. | description         | part no.  |
|-----|---------------------|-----------|
| 1   | Bubbler w/washer    | 7454-02   |
| 2   | Washer for Socket   | 28-17     |
| 3   | Socket              | 34709-07* |
| 4   | Lock Ring           | 187-27    |
| 5   | Adjusting Nut       | 539-17    |
| 6   | Spring              | 1708-07   |
| 7   | Spring Chamber      | 1174-17   |
| 8   | Lock Nut            | 1115-07   |
| 9   | Washer              | 94-27     |
| 10  | Diaphragm           | 152-27    |
| 11  | Yoke                | 1005-17   |
| 12  | Sleeve              | 1101-27   |
| 13  | Static Seal         | 1719-07   |
| 14  | Washer              | 9-27      |
| 15  | Seat Washer Holder  | 1441-37   |
| 16  | Seat Washer (Valve) | 1398-27   |
| 17  | Seat Washer Plate   | 1440-37   |
| 18  | Screw               | 307-07    |
| 19  | Valve Body          | 25376-07  |
| 20  | Lock Nut            | 25045-07  |
| 21  | Friction Washer     | 1013-29   |
| 22  | Escutcheon          | NLA       |
| 23  | Stem                | 1711-07   |
| 24  | Retaining Washer    | 113-17    |
| 25  | Spring              | 1718-07   |

C3668  
C3491  
C3775  
C3516  
C3551  
C3633  
C3611  
C3607  
C3505  
C3511  
C3596  
C3604  
C3640  
C3487  
C3628  
C3624  
C3627  
C3525  
  
C3636  
C3506  
C3639

| no. | description                    | part no.  |
|-----|--------------------------------|-----------|
| 26  | Friction Washer                | 21771-07  |
| 27  | "U" Cup                        | 1618-07   |
| 28  | Static Seal                    | 27-37     |
| 29  | Spring Housing                 | 34-22     |
| 30  | Cam                            | 171-37    |
| 31  | Ball Race                      | 527-17    |
| 32  | Handle                         | 92-22     |
| 33  | Pin                            | 433-07    |
| 34  | Handle Nut                     | 1150-07   |
| 35  | Handle Cap                     | 1312-32   |
| 36  | Stop Body                      | 34711-07* |
| 37  | Seat Washer Screw              | 159-17    |
| 38  | Seat Washer (Stop)             | 441-07    |
| 39  | Stem w/washer & Screw          | 19422-07  |
| 40  | Cap Washer                     | 125-07    |
| 41  | Stuffing Box Cap               | 21423-07  |
| 42  | Stem Packing                   | 1311-07   |
| 43  | Stuffing Nut                   | 25015-07  |
| 44  | Supply Tube (Stop to Valve)    | 1713-07   |
| 45  | Supply Tube (Valve to Bubbler) | 1714-07   |
| 46  | Stop S/A                       | 7479-07   |

C3719  
C3630  
  
C3513  
C3550  
C3504  
C3539  
C3608  
C3619  
  
C3541  
  
C3618  
C3637  
C3638  
C3672

• NOT AVAILABLE

### Drinking Fountain Fitting

Model Number 8090.011 (R 6000)

| no. | description           | part no.  |
|-----|-----------------------|-----------|
| 1   | Regulating Screw Cap  | 40200-02  |
| 2   | Regulating Screw      | 40320-07  |
| 3   | Spring                | 43-27     |
| 4   | Regulator Cap         | 40358-02  |
| 5   | Brass Friction Washer | 1455-07   |
| 6   | Yoke Lock Nut         | 40363-07  |
| 7   | Brass Washer          | 1456-07   |
| 8   | Diaphragm             | 119-07    |
| 9   | Yoke                  | 104-07    |
| 10  | Body                  | 40332-02* |
| 11  | Yoke Disc             | 40359-07  |
| 12  | Yoke Screw            | 307-07    |
| 13  | Cap Washer            | 142-07    |
| 14  | Cap                   | 40356-02  |

C3525

● NOT AVAILABLE



### Drinking Fountain Fitting

Model Number 8490 (P 8490)

| no. | description          | part no. |
|-----|----------------------|----------|
| 1   | Aerator              | 56135-02 |
| 2   | End Trim             | 279-12   |
| 3   | Adapter              | 25714-02 |
| 4   | Gooseneck            | 699-22   |
| 5   | Gooseneck Lock Nut   | 1717-02  |
| 6   | Lock Nut Washer      | 1704-07  |
| 7   | Regulating Cap Screw | 1706-02  |
| 8   | Regulating Screw     | 1709-07  |
| 9   | Spring               | 1784-07  |
| 10  | Spring Chamber       | 1707-02* |
| 11  | Nut                  | 1115-07  |
| 12  | Washer               | 94-27    |
| 13  | Diaphragm            | 152-27   |
| 14  | Yoke                 | 1005-17  |
| 15  | Body                 | 25379-02 |
| 15A | Body                 | 25380-02 |
| 16  | Seat Washer Holder   | 1441-37  |
| 16A | Seat Washer Holder   | 1745-07  |
| 17  | Seat Washer          | 1398-27  |
| 18  | Seat Washer Plate    | 1440-37  |
| 19  | Screw                | 307-07   |
| 20  | Stem                 | 1710-07  |
| 20A | Stem                 | 25687-07 |
| 21  | Retaining Washer     | 113-17   |
| 22  | Spring               | 1718-07  |
| 23  | Friction Washer      | 21771-07 |
| 24  | "U" Cup              | 1618-07  |
| 25  | Static Seal          | 507-37   |
| 26  | Spring Housing       | 519-22   |
| 27  | Cam                  | 171-37   |
| 28  | Ball Race            | 527-17   |
| 29  | Handle               | 518-22   |
| 30  | Pin                  | 433-07   |
| 31  | Handle Nut           | 1150-07  |
| 32  | Handle Cap           | 1312-32  |
| 33  | Shank                | 1743-02  |
| 33A | Shank                | 1744-02  |
| 34  | Shank Washer         | 530-17*  |
| 35  | Friction Washer      | 54538-09 |
| 36  | Lock Nut             | 300-27   |
| 37  | Coupling Nut         | 24220-07 |
| 38  | Bubbler              | 1703-02  |
| 39  | Jet                  | 1705-07  |

C3851

C3632

C3634

C3643

C3607

C3505

C3571

C3598

C3628

C3624

C3627

C3525

C3635

C3506

C3639

C3719

C3630

C3549

C3513

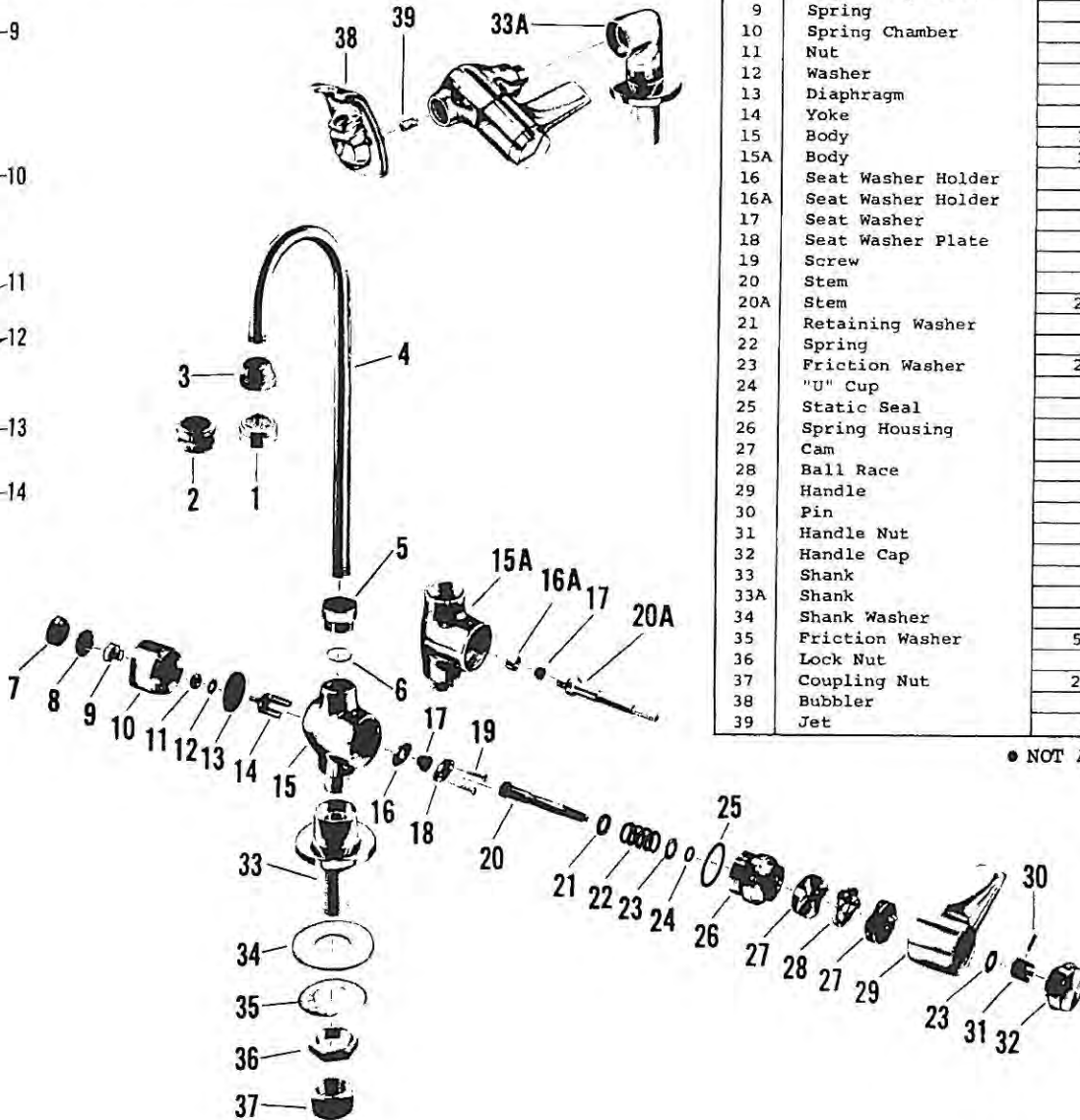
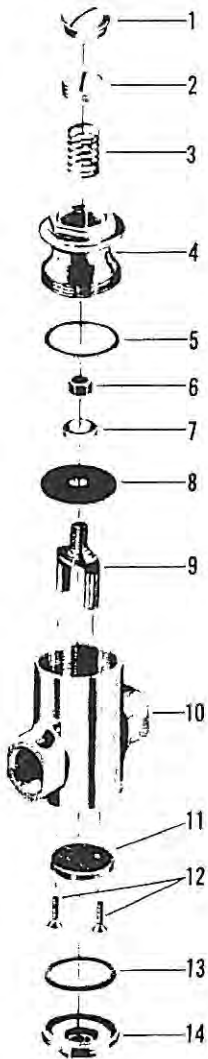
C3550

C3539

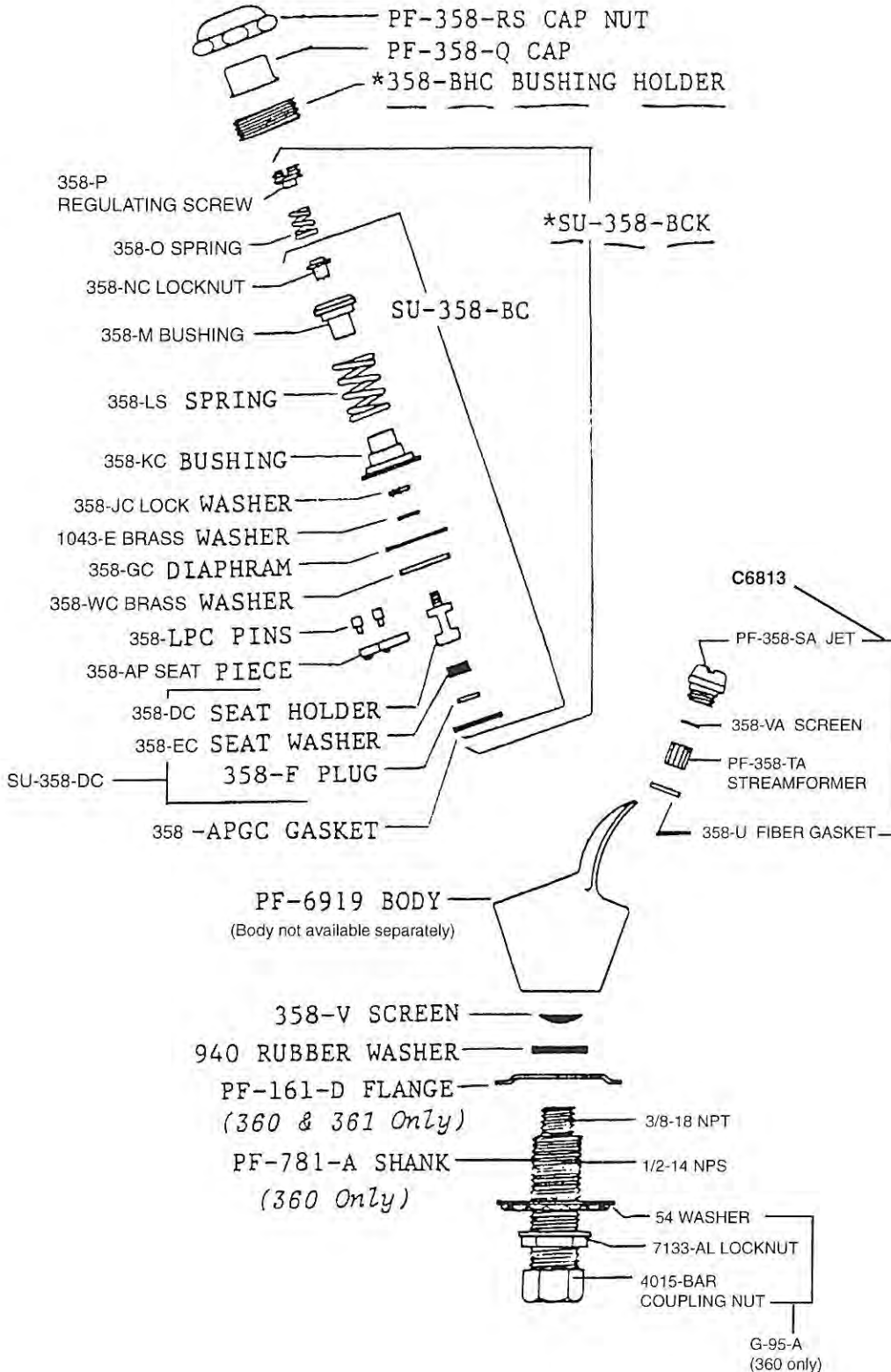
C3608

C3619

● NOT AVAILABLE



Central Brass



#0360

Cast Brass Bubbler Head 1/2" NPS male shank, flange and polished chrome finish.



#0361

Cast Brass Bubbler Head 3/8" NPS female thread, flange and polished chrome finish.

**FOR REPAIR**

Purchase C4999 replacement bubbler cartridge kit (Individual parts are not sold separately) \*C4999 contains all parts in SU-358-BCK and 358-BHC

### VALVE COMPLETE

#### C3194

**Model 5830:**

Polished chrome plated  $\frac{1}{2}$ " IPS inlet x  $\frac{1}{4}$ " IPS outlet, self-closing 4-arm handle valve with screw-driver adjustment stream control.

**Model 5830.1238:**

Same as Model 5830 except  $\frac{1}{2}$ " IPS inlet x  $\frac{3}{8}$ " IPS outlet.

**Model 5831:**

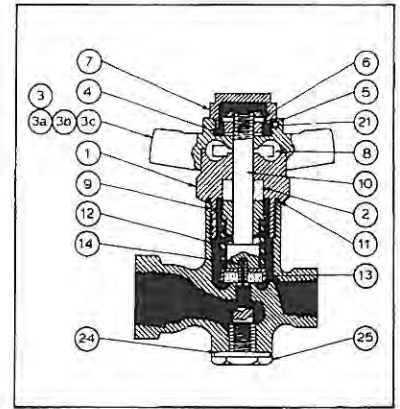
Rough chrome plated valve, identical to Model 5830 except with rough chrome plated finish.

**Service Instructions for Models 5830, 5830.1238, 5831:**

For repairing of this valve, order the 5800VRKR.

For replacing the complete handle and stem assembly, order the 5830HS for Models 5830 and 5830.1238, and 5831HS for Model 5831.

| Item No. | Part No.   | Description            |
|----------|------------|------------------------|
| 1        | 0000346726 | Bonnet-Cap PCP         |
| 2        | .          | Packing-Felt           |
| 3        | 0002708758 | Handle-Cross PCP       |
| 3a       | 0002712693 | Handle-Cross RCP       |
| 3b       | 0002710721 | Handle-Lever PCP       |
| 3c       | 0002714665 | Handle-Lever RCP       |
| 4        | 0006867428 | Wshr-Thrust            |
| 5        | 0003869088 | Nut-Thrust             |
| 6        | 0004302485 | Pin-Lock               |
| 7        | 0001483411 | Cap-Handle PCP         |
| 8        | .          | Retainer-Ball          |
| 9        | 0002584647 | Gland-Packing          |
| 10       | 0005531769 | Stem w/Wshr & Scw      |
| 11       | .          | Wshr-Bonnet            |
| 12       | .          | Spring                 |
| 13       | .          | Wshr-Seat              |
| 14       | 0005183074 | Screw-Seal Wshr        |
| 18       | 0000263988 | Body 5830 PCP          |
| 18a      | 0000265959 | Body 5831 RCP          |
| 19       | .          | Wshr-Bottom Cap        |
| 21       | 0004993952 | Scw-Set                |
| 23       | 0005181110 | Screw-Adj New Style    |
| 24       | 0006863494 | Wshr-Btm Cap New Style |
| 25       | 0004607511 | Plug-Btm PCP           |
| 25a      | 0004607529 | Plug-Btm RCP           |



#### C3193

Repair Kit, Part No. **5800VRKR** for 5830-5831 Valves (includes Items 2, 8, 11, 12, 13, 19)

Complete handle and stem assembly for these valves includes Items 1 through 14, and 21

**Part No.**

5830HS 0006296123  
5831HS 0006357206

\*Part of 5800VRKR Not Available Separately

# Haws

**Flow Regulating Directions for Models 5830/5831 Valves:**

Remove plug (25), unscrew adjusting screw (23) a few turns and flush valve. Adjust flow to desired height with screw (23), and replace plug (25). If a short time after valve has been regulated the stream loses its height or volume, remove plug (25), loosen screw (23) to permit a large volume of water to pass, place cloth over head and turn valve on FULL to flush sediment that has collected behind regulating screw or seat. Regulate properly and replace parts.

**Model 5840:**

A polished chrome plated valve similar to Model 5830 except with  $\frac{1}{2}$ " IPS inlet and  $\frac{1}{2}$ " IPS outlet self-closing, 4-arm handle valve without stream control.

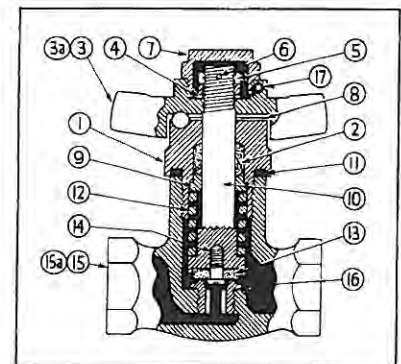
**Model 5843:**

A rough chrome plated valve identical to Model 5840 except size  $\frac{1}{2}$ " IPS inlet x  $\frac{1}{4}$ " IPS outlet and with rough chrome plated finish.

**Service Instructions for Models 5840 and 5843:**

For repairing this valve order the 5800VRKR. For replacement of the complete handle and stem assembly, order the 5840HS for Model 5840 and the 5843HS for Model 5843.

| Item No. | Part No.   | Description       |
|----------|------------|-------------------|
| 1        | 0000346726 | Bonnet-Cap PCP    |
| 2        | .          | Packing-Felt      |
| 3        | 0002708758 | Handle-Cross PCP  |
| 3a       | 0002712693 | Handle-Cross RCP  |
| 4        | 0006867428 | Wshr-Thrust       |
| 5        | 0003869088 | Nut-Thrust        |
| 6        | 0004302485 | Pin-Lock          |
| 7        | 0001483411 | Cap-Handle PCP    |
| 8        | .          | Retainer-Ball     |
| 9        | 0002584647 | Gland-Packing     |
| 10       | 0005531769 | Stem w/Wshr & Scw |
| 11       | .          | Wshr-Bonnet       |
| 12       | .          | Spring            |
| 13       | .          | Wshr-Seat         |
| 14       | 0005183074 | Screw-Seal Wshr   |
| 15       | 0000267922 | Body 5840 PCP     |
| 15a      | 0000267948 | Body 5843 RCP     |
| 16       | 0005212626 | Seat-Renew        |
| 17       | 0004993952 | Scw-Set           |



Repair Kit, Part No. **5800VRKR** for 5840-5843 valves (includes Items 2, 8, 11, 12, 13)

Complete handle and stem assembly for these valves includes Items 1 through 14

#### C3193

**Part No.**

5840HS 0006296123 Handle & Stem Assy PCP  
5843HS 0006357206 Handle & Stem Assy RCP

\*Part of 5800VRKR Not Available Separately

# Haws

54



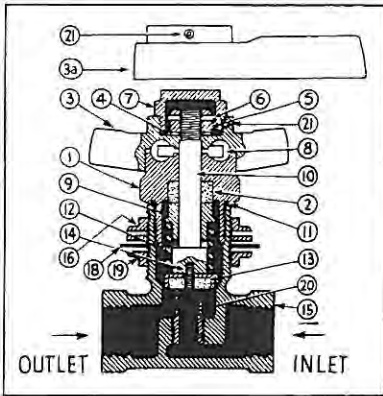
**C3196**

**Model 5855:**

A polished chrome plated valve 3/8" IPS x 3/8" IPS, self-closing, panel mounted, lever-handle valve with rough brass body and vandal-resistant handle.

**Servicing Instructions for Model 5855:**

For repairing this valve, order the 5800VRKR. To replace the complete handle and stem assembly, order part number 5855HS.



| Item No. | Part No.   | Description            |
|----------|------------|------------------------|
| 1        | 000346726  | Bonnet-Cap PCP         |
| 2        | *          | Packing-Felt           |
| 3        | 0002708758 | Handle-Cross PCP       |
| 3a       | 0002710721 | Handle-Lever PCP       |
| 4        | 0006867428 | Washr-Thrust           |
| 5        | 0003869088 | Nut-Thrust             |
| 6        | 0004302485 | Pin-Lock               |
| 7        | 0001483411 | Cap-Handle PCP         |
| 8        | *          | Retainer-Ball          |
| 9        | 0002584647 | Gland-Packing          |
| 10       | 0005531769 | Stem w/Wshr & Scw      |
| 11       | *          | Wshr-Bonnet            |
| 12       | *          | Spring                 |
| 13       | *          | Wshr-Seal              |
| 14       | 0005183074 | Screw-Seal Wshr        |
| 15       | 0000271866 | Body-Brass 3/8" x 3/8" |
| 16       | 0003876968 | Nut-Upper Lock PCP     |
| 17       | 0006875306 | Wshr-Upper Poly        |
| 18       | 0006873335 | Wshr-Lower Fibre       |
| 19       | 0003876978 | Nut-Lower              |
| 20       | *          | Seat-Renew             |
| 21       | 0004993952 | Scw-Sel                |

Repair Kit, Part No. **5800VRKR**

for 5855 Valve  
(includes items 2, 8, 11, 12, 13, 20)

Complete handle and stem assembly for these valves includes items 1 through 14, and 21

**Part No.**

5855HS 0006380844 Handle & Stem Assy—Lever  
5856HS 0006296123 Handle & Stem Assy—Cross

**\*Part of 5800VRKR Not Available Separately**

**C3193**



**Model 5871:**

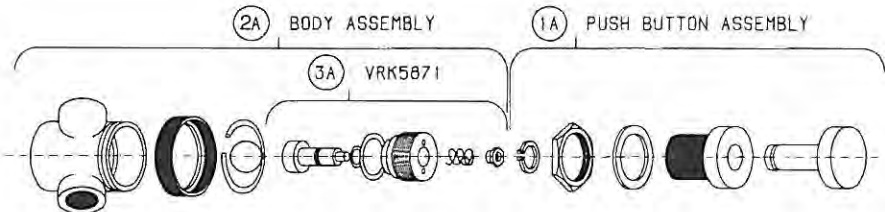
Polished chrome plated, feather-touch, vandal-resistant push-button valve, brass valve body, 1/4" IPS inlet x 1/4" IPS outlet. Dimensions: overall length 3 1/4"; diameter of push button, 1 1/2"; diameter of shank, 1 1/4"; maximum material thickness, 1 1/16"

**Model 5871.3176**

Same as Model 5871, except the push button assembly is longer for specific use on Haws Models 3176 and 3176HB.

**Model 5871BA:**

Brass valve 1/4" x 1/4" IPS.



**C3200**

**C3198**

**C3202**

| Item No. | Part No. | Description         |
|----------|----------|---------------------|
| 1A       | 5871PBA  | Button Push Assby   |
| 2A       | 5871BA   | Pol Cap             |
| 3A       | VRK5871  | Body Assby          |
|          |          | Repair Kit for 5871 |

**Trouble Shooting:**

| Problem  | Solution  |
|--|---|
| Water leaks between the stem and the bushing       | Change the complete Stem Assembly—Order the VRK5871 |
| Water leaks between the bushing and the valve body | Change the complete Stem Assembly—Order the VRK5871 |
| Defective spring                                   | Change the complete Stem Assembly—Order the VRK5871 |

**Different Causes of Chattering Valves:**

|  |  |
|--|--|
| 1 Inlet tubing too small   | Use 3/8" O.D. poly tubing  |
| 2 A sudden rise or decrease in pressure and velocity of water supply. Also known as "Water Hammer" | Install our Water Hammer Arrestor. (Part # 0005234505) on the inlet side of the valve. |
| 3 Pipeline system in the building not adequately installed   | Secure piping to a rigid structure with the proper supports.                           |
| 4 Loose valve seats and loose fittings in the piping system  | Replace damaged seats and tighten loose fittings.                                      |
| 5 Low inlet pressure   | Must be 30 PSI minimum   |



## COMPLETE BUBBLER

### C3189

#### Model 5010:

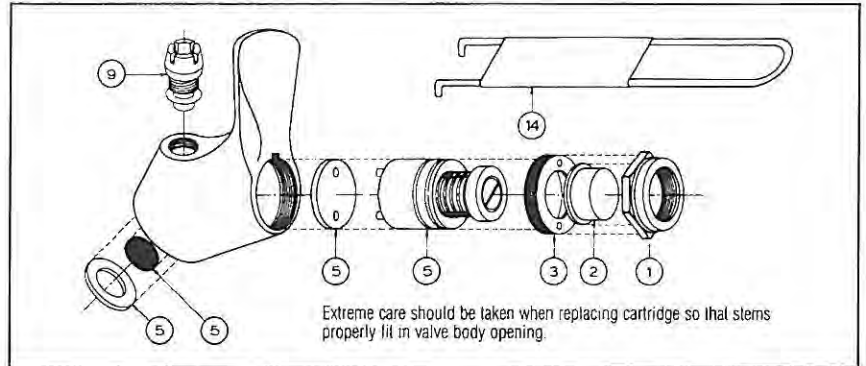
Integral, self-closing, push-button valve with adjustable stream regulation; 3/8" FIPS. Dimensions: bottom of base to top of bubbler, 3 3/8"; base diameter, 1 1/4".

#### To Replace Cartridge in Model 5010:

- Shut off water supply.
  - Unscrew hex nut.
  - Remove button.
  - Remove retaining nut (with spanner wrench).
  - Remove cartridge and gasket.
  - Insert new cartridge and gasket.
- Reassemble parts in reverse order.

#### Servicing Instructions for Model 5010:

If stream height of water is unsatisfactory, remove Hex Nut and Button and adjust stream by turning slotted adjusting screw. Clockwise to raise—counterclockwise to lower. If this fails to improve stream, remove complete valve and check strainer screen for debris. If this also fails, replace the cartridge assembly.



Extreme care should be taken when replacing cartridge so that stems properly fit in valve body opening.

| Item | Part No.     | Description                                      |
|------|--------------|--|
| 1    | 0003849387   | Hex Nut  |
| 2    | 0001333699   | Button   |
| 3    | 0003849394   | Retaining Nut                                    |
| 5    | VRK 5010     | Cartridge Assembly<br>Gasket<br>Screen<br>Washer |
|      | <b>C3201</b> |  |
| 9    | 0005384011   | Spout Assembly                                   |
| 14   | 0006983506   | Wrench Spanner                                   |

# Haws

### C5492

61313-C

#### ELKAY CARTRIDGE

For Push Button Valves  
Fits Eaton-Cordley,  
Elkay, Halsey Taylor,  
Sunroc, Western



### C3195

61314-C

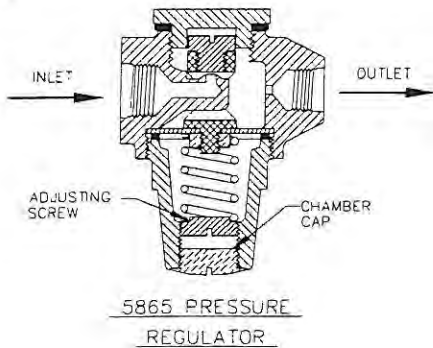
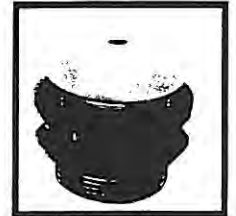
#### ELKAY CARTRIDGE

For Push Bar  
Water Coolers

### C3200

Model PBA4

Polished chrome plated push button  
assembly used on fountains with  
recessed push buttons.  
Used with 5871, 5872.

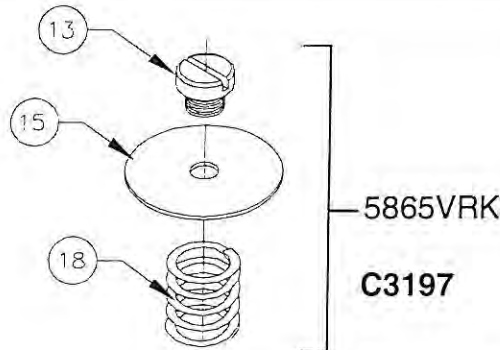


Model 5865 and 5866

Diaphragm operated stream regulator. Model 5865 had rough brass finish, 5866 was polished chrome plated. Both are discontinued and complete regulators are no longer available. 3/8" NPT(F) inlet x 1/4" NPT(F) outlet.

#### Servicing Instructions for Model 5865:

To adjust the stream height, remove chamber cap and turn adjusting screw clockwise to increase stream height, counter clockwise to lower. To repair regulator, order the 5865VRK. C3197



| Item | Description        |
|------|--------------------|
| 13   | Holder with seat   |
| 15   | Diaphragm          |
| 18   | Spring, Adjustment |

### C6859

Model 5867

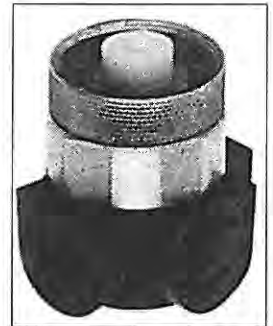
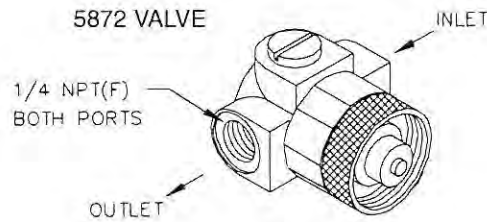
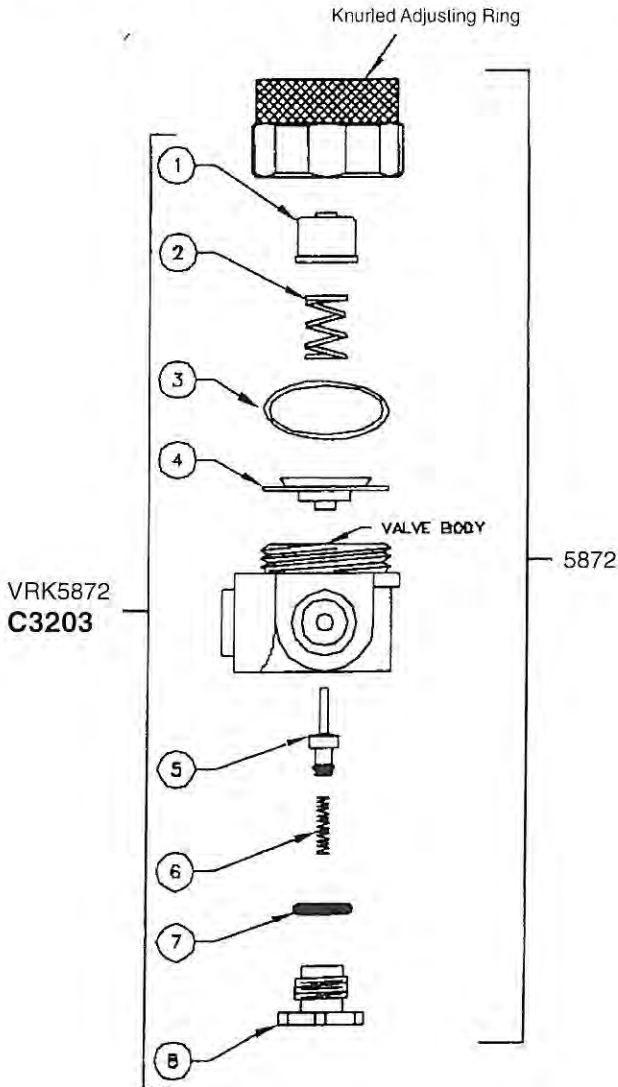


Lead free plastic pressure regulator currently used on all Haws "Hands-Off" sensor operated drinking fountains.

#### Servicing Instructions for Model 5867:

If stream height of water is unsatisfactory, flush regulator thoroughly to remove all debris. Then adjust stream by first loosening locknut and then turn adjusting screw clockwise to raise, counter clockwise to lower. Tighten lock nut when complete. If regulator continues to malfunction, replace with complete regulator. Individual replacement parts are not available.

**Haws**



**Model 5872**

Push button activated valve with automatic diaphragm pressure regulator and fully adjustable flow. 1/4" NPT(F) inlet and outlet. Body is manufactured of glass filled Celcon. Valve functions with water pressure from 20 to 90 PSI. Used on most Haws drinking fountains. Push button assembly not included.

**Model 5872HF**

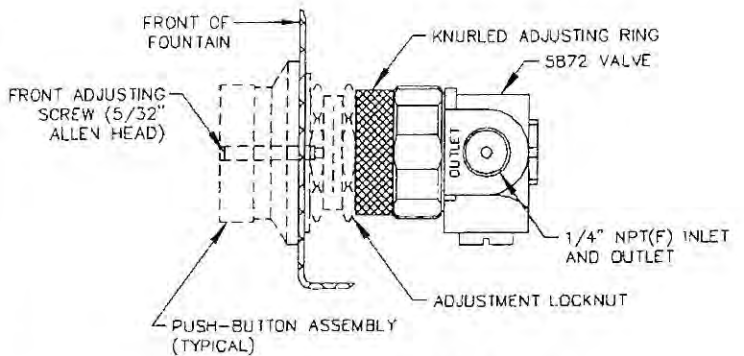
Similar to Model 5872 except used with fountains requiring higher water flows such as cuspidor units.

**Service Instructions for Models 5872 and 5872HF:**

This valve is adjustable. Do not adjust flow with screwdriver stop. Leave screwdriver stop in full open position. Valve will compensate for wide supply pressure fluctuations. It must be protected from debris by the fine mesh strainer Model 6420 supplied with unit.

For higher flow, adjust valve by threading knurled adjusting ring further on to push-button assembly. For lower flow, back adjusting ring off push-button assembly. Lock knurled adjusting ring in position with adjustment locknut. Bubbler stream may lower during short break-in period. Set initial stream height a little high to minimize or eliminate the need for break-in period readjustment. FRONT ADJUST OPTION: A hole in the center of the push button indicates the presence of a front adjustment screw. Using a 5/32" Allen wrench, the flow may be adjusted by inserting into the hole and turning clockwise for increased flow and counter clockwise for decreased flow. Hold button to prevent spinning while adjusting flow.

| Item # | Description           | Repl. Part # | Part #  |
|--------|-----------------------|--------------|---------|
| 1      | Button, Push          |              | C3203   |
| 2      | Spring, Adjusting     |              | VRK5872 |
| 3      | Ring Slip, Diaphragm  |              |         |
| 4      | Diaphragm Assembly    |              |         |
| 5      | Stem, Valve           |              |         |
| 6      | Spring, Bottom        |              |         |
| 7      | "O" Ring, Bottom Plug |              |         |
| 8      | Plug, Bottom          |              |         |



**5872 TYPICAL INSTALLATION**

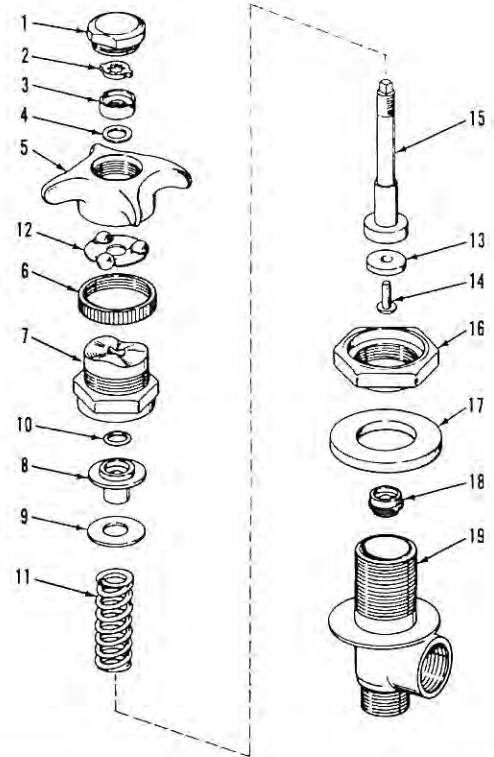
# KOHLER®

### Model Numbers

34765 Self-Closing Valve for Semi-Recess Drinking Fountains

34788 Self-Closing Valve for Wall-Hung Drinking Fountains

| Ordering Options |                 |
|------------------|-----------------|
| Item             | Part No. or Kit |
| 1                | C1712           |
| 2, 3, 4          | 30272           |
| 5                | C1713           |
| 6                | 35012           |
| 7 thru 11        | 35630           |
| 10 thru 14       | C1672           |
| 1-12, 14-16      | C1744           |
| 16               | 35011           |
| 17               | 32841           |
| 18               | 40602           |
| 19               | *               |



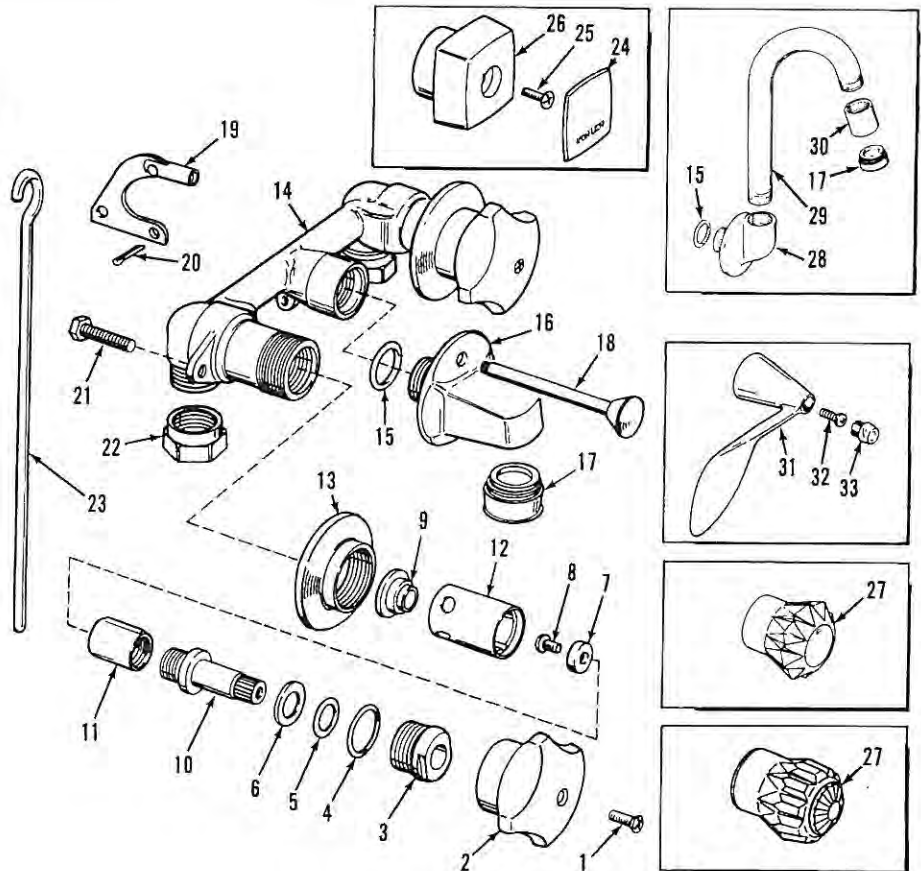
# KOHLER®

### Model Numbers

K-6971 (AlternA), K-8040-FL (Flair), K-8040-T

K-8040-DB (Flair II), K-13322 (Finesse)

| Ordering Options |                 |
|------------------|-----------------|
| Item             | Part No. or Kit |
| 1                | 30097           |
| 2                | 30024           |
| 3                | 20475           |
| 4 thru 12        | C1643           |
| 13               | 30085           |
| 14               | *               |
| 15               | 40933           |
| 16               | 34435           |
| 17               | 41007           |
| 18               | 34349           |
| 19               | 34898           |
| 20               | 33799           |
| 21               | 30113           |
| 22               | 30230           |
| 23               | 51198           |
| 24               | 29746           |
| 25               | 30105           |
| 26               | 29717           |
| 27               | 30037           |
| 28, 29, 30       | 30406           |
| 31               | 30334           |
| 32               | 30336           |
| 33               | 30335           |



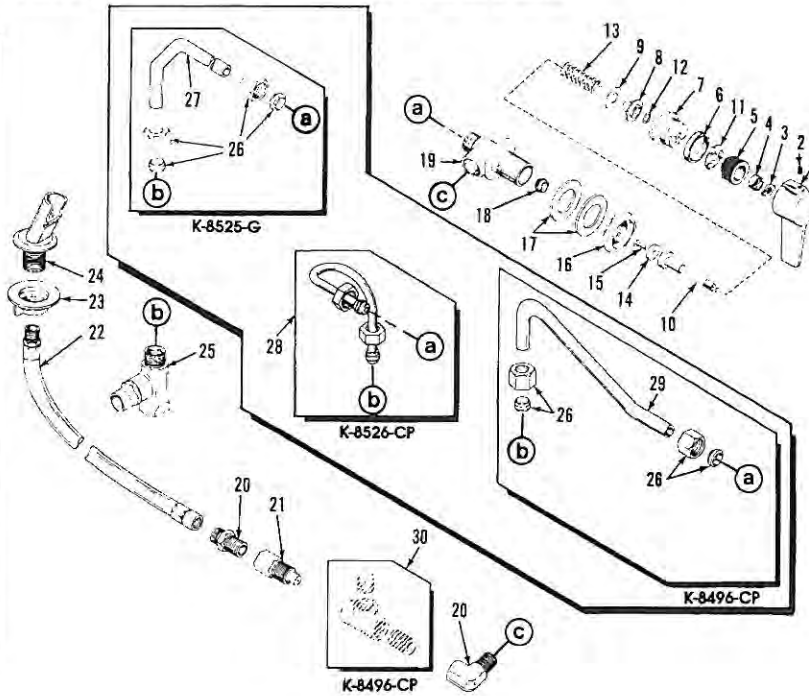


**KOHLER®**

**MODEL NUMBERS**  
K-8526-CP (Millbrook)  
K-8525-G (Serra)  
K-8496-CP (Glenbrook)  
Drinking Fountain  
Valve Fittings

ORDER BY KIT NUMBER OR PART NUMBER, NOT ITEM NUMBER OR KIT LETTER.

| Item       | Part No. or Kit |
|------------|-----------------|
| 1          | 35284†          |
| 2          | 35285           |
| 3, 4       | H               |
| 5          | 35283           |
| 6          | 35012†          |
| 7          | 34228†          |
| 8          | 34226           |
| 9          | C1725           |
| 10         | 32411           |
| 11 thru 15 | A               |
| 16         | 35011†          |
| 17         | C1708           |
| 18         | C1768           |
| 19         | *               |
| 20         | F               |
| 21         | F, G            |
| 22         | I               |
| 23         | 40080           |
| 24         | 30352†          |
| 25         | 34791†          |
| 26         | B               |
| 27         | C               |
| 28         | D               |
| 29         | E               |
| 30         | **              |



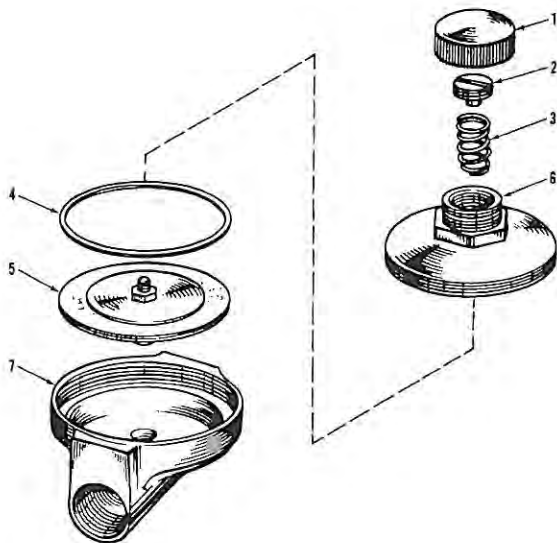
**Kit Ordering Information**

| Kit | Kit Part No. | Kit Name  | Kit Contents            |
|-----|--------------|---|-------------------------|
| A   | C1672 30271  | Valve Service Kit                                       | 1 ea., items 11 thru 15 |
| B   | 30350        | Nut and Ferrule   | 2 ea., item 26          |
| C   | 35299        | Tube for K-8525-G Serra                                 | 1 ea., item 27          |
| D   | 34903        | Tube Assembly for K-8526-CP Millbrook (w/coupling nuts) | 1 ea., item 28          |
| E   | 35306        | Tube for K-8496-CP                                      | 1 ea., item 29          |
| F   | 30351        | Elbow Assembly  | 1 ea., items 20 and 21  |
| G   | 35293        | Flow Control  | 1 ea., item 21          |
| H   | 30243        | Lock Nut Assembly                                       | 1 ea., items 3 and 4    |
| I   | 30233        | Hose  | 1 ea., item 22          |

\* Not available as a service part.  
† Specify finish.

**Model Number 34777 C1742**  
**Pressure Regulator**  
Used on all Kohler Drinking Fountains

| Item     | Part No. | Part No.              | Part No. |
|----------|----------|-----------------------|----------|
| Item 1   | C1711    |                       |          |
| Item 2-5 | C1671    | 30270                 |          |
| Item 5   | C1748    | 35062                 |          |
| Item 6   |          | 33180                 |          |
| Item 1-7 | C1742    | Complete Regulator RB |          |



**KOHLER®**

## DRINKING FOUNTAIN ACCESSORIES

- C4613**  
BUBBLER WITH LEAD-FREE BRASS CARTRIDGE  
Push Button Drinking Fountain  
The standard bubbler for the water cooler industry.
- CP brass body
  - Lead-free brass or plastic cartridge
  - Replaces HAWS HW 5010



- C4612**  
SELF-CLOSING DRINKING FOUNTAIN
- CP brass
  - Flow regulator screw
  - Precision ball bearing action
  - 1/2" FPT
  - Cross handle
- |         |                         |         |            |
|---------|-------------------------|---------|------------|
| 2190-01 | Ball Gland              | 2190-02 | Handle     |
| 2190-03 | Stem                    | 2190-04 | Washer     |
| 2190-05 | Handle Cap Nut          | 2190-RK | Repair Kit |
| 2190-13 | Regulator Screw Cap Nut |         |            |



- C4657**  
FOUNTAIN BUSHING & VALVE WRENCH 2-IN-1 TOOL
- Tightens or loosens cartridge retaining bushing
  - Prevents bushing thread damage which causes leaks
  - Offset design prevents bruised knuckles
  - Heat treated



- C4655**  
REMOTE PUSH BUTTON VALVE
- Superior quality
  - Chrome plated brass button and escutcheon
  - 1/4" female IP connection
  - Brass lead-free cartridge



- ICE MAKER / HUMIDIFIER KITS
- Connects cold water lines to ice makers, ice or coffee machines, humidifiers, etc.
  - Kit contains: 1-self-piercing valve, all necessary brass fittings and 1/4" tubing
  - Individually bagged



- |       |                             |
|-------|-----------------------------|
| C971  | Poly tubing 1/4" x 25'      |
| C6865 | Copper tubing 1/4" x 25'    |
| C4654 | 1/4" x 25' Poly tubing only |

**COUNTERTOP FAUCETS**  
Touch-Flo faucets are designed for use with any kind of under-sink filter system. They are machined from solid brass, hand polished and chrome plated. A corrosion resistant ABS tip is added to the spout to prevent chrome damage.

- CP brass deck top flange (1)
- Under-sink plastic washer (1)
- Brass ferrule (1)
- Lock washer (1)
- Brass bulkhead nut (1)
- Brass compression nut (1)
- Rubber washer (1)
- Rubber gasket (1)
- Nylon ferrule (1)

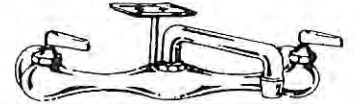


- |       |                  |  |
|-------|------------------|--|
| C4652 | 1/4" Compression | 7/16" Diameter hole is required for installation |
| C4653 | 3/8" Compression |  |

- C209**  
AIR GAP
- Protects dishwasher from sewage backflow by breaking the siphoning action in the drain line
  - White polypro body
  - UPS approved
  - Chrome plated ABS top



- C205**  
WALL MOUNT SINK FAUCETS
- 8" center to center
  - Soap dish mounted on body
  - Adjustable 1/2" female threaded eccentric couplings
  - Replacable seats and stems
  - Chrome plated



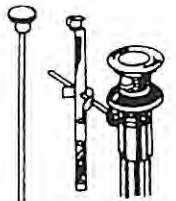
- C204**  
BASIN FAUCETS
- Chrome plated
  - Replaceable seats and stems
  - Furnished with hot and cold buttons



- C4693**  
AUTOMATIC, ANTI-SIPHON TRAP VENT
- 1-1/2" MIP ABS
  - Air automatically enters drain line to prevent siphonage, then seal closes after drainage to prevent escape of sewer gases.
  - NSF approved
  - For secondary venting of sinks, lavatories, tub/showers, washing machines
  - NOT for use in venting water closets.



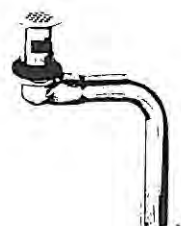
- C208**  
BRASS POP-UP ASSEMBLY
- All metal construction
  - Tool free locknut and ballrod nut
  - Chrome-brass



- C4583**  
P.O. PLUGS WITH OPEN GRID STRAINER
- 1-1/4" x 6"
  - 17 gauge tailpiece



- C4584**  
WHEELCHAIR DRAIN ASSEMBLY
- Chrome-plated wheelchair lavatory strainer
  - Cast grid drain plug with strainer and offset drain assembly
  - 1-1/4" O.D. tailpiece. 17 gauge.



**TUBULAR J-BENDS**

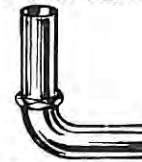
less cleanout  
Cat.

| No.   | Description   |        | Finish |
|-------|---------------|--------|--------|
| C4398 | 1 1/4 X 1 1/4 | 20 Ga. | CP     |
| C4400 | 1 1/2 X 1 1/2 | 20 Ga. | CP     |
| C4264 | 1 1/4 X 1 1/4 | 17 Ga. | CP     |
| C4265 | 1 1/2 X 1 1/2 | 17 Ga. | CP     |



**CLOSET TANK ELBOWS**  
with Nuts and Washers

| Cat. | No.   | Description |
|------|-------|-------------|
|      | C5376 | 2 x 4 x 6   |
|      | C4282 | 2 x 5 x 7   |
|      | C5377 | 2 x 6 x 8   |



| Finish |        |
|--------|--------|
| CP     | 17 Ga. |
| CP     | 17 Ga. |
| CP     | 17 Ga. |

**WALL TUBES**

| No.   | Description   |        | Finish |
|-------|---------------|--------|--------|
| C5344 | 1 1/4 X 1 1/4 | 20 Ga. | CP     |
| C5347 | 1 1/2 X 1 1/2 | 20 Ga. | SC     |
| C5349 | 1 1/2 X 1 1/2 | 20 Ga. | SC     |
| C5327 | 1 1/4 X 1 1/4 | 20 Ga. | CP     |
| C5328 | 1 1/2 X 1 1/2 | 20 Ga. | SC     |



**SLIP JOINT ELBOWS**

|       |            |
|-------|------------|
| C5293 | 1 1/4 X 8" |
|-------|------------|

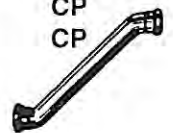


|    |        |
|----|--------|
| CP | 17 Ga. |
|----|--------|

**DOUBLE OFFSETS**

|       |            |
|-------|------------|
| C5379 | 1 1/4 X 12 |
| C5380 | 1 1/2 X 12 |

|    |        |
|----|--------|
| CP | 17 Ga. |
| CP | 17 Ga. |



**ADJUSTABLE SINK TRAPS-CAST ELBOW**

Washer Connection-less cleanout

|       |               |        |    |
|-------|---------------|--------|----|
| C5355 | 1 1/2 X 1 1/2 | 17 Ga. | SC |
|-------|---------------|--------|----|



**DOUBLE SLIP REPAIR CONNECTIONS**  
with Nuts and Washers

|       |               |          |
|-------|---------------|----------|
| C5299 | 1 1/4 X 1 1/4 | Straight |
| C5300 | 1 1/2 X 1 1/2 | Straight |
| C5302 | 1 1/4 X 1 1/4 | 45°      |
| C5301 | 1 1/2 X 1 1/2 | 45°      |
| C5303 | 1 1/4 X 1 1/4 | 90°      |
| C5304 | 1 1/2 X 1 1/2 | 90°      |



|    |    |
|----|----|
| CP | CP |
| CP | CP |
| CP | CP |
| CP | CP |
| CP | CP |



**SINK TRAP J-BENDS**

less cleanout

|       |               |        |    |
|-------|---------------|--------|----|
| C4402 | 1 1/2 X 1 1/2 | 17 Ga. | SC |
|-------|---------------|--------|----|



**CONTINUOUS WASTES: TUBE TEE AND CAST TEE**

End Outlet-Direct Connect

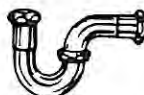
|       |            |
|-------|------------|
| C4260 | 1 1/2 X 16 |
| C5334 | 1 1/2 X 16 |



|    |                 |
|----|-----------------|
| SC | 20 Ga. Cast Tee |
| SC | 17 Ga. Cast Tee |

**REPAIR P-TRAPS**

|       |               |        |    |
|-------|---------------|--------|----|
| C5350 | 1 1/4 X 1 1/4 | 20 Ga. | CP |
| C4410 | 1 1/2 X 1 1/2 | 20 Ga. | SC |



End Outlet - Slip Joint

|       |            |
|-------|------------|
| C4259 | 1 1/2 X 16 |
| C5332 | 1 1/2 X 16 |
| C5331 | 1 1/2 X 21 |



|    |                 |
|----|-----------------|
| SC | 20 Ga. Cast Tee |
| SC | 17 Ga. Cast Tee |
| SC | 20 Ga. Cast Tee |

**P.O. PLUGS**

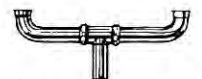
Two Piece

|       |            |        |    |
|-------|------------|--------|----|
| C5354 | 1 1/4 X 5  | 22 Ga. | CP |
| C4271 | 1 1/4 X 8  | 22 Ga. | CP |
| C5357 | 1 1/4 X 12 | 22 Ga. | CP |



Center Outlet-Direct Connect

|       |            |
|-------|------------|
| C4261 | 1 1/2 X 16 |
| C5335 | 1 1/2 X 16 |
| C5333 | 1 1/2 X 21 |



|    |                 |
|----|-----------------|
| SC | 20 Ga. Cast Tee |
| SC | 17 Ga. Cast Tee |
| SC | 20 Ga. Cast Tee |

One Piece

|       |           |        |    |
|-------|-----------|--------|----|
| C5385 | 1 1/4 X 5 | 22 Ga. | CP |
| C5386 | 1 1/4 X 8 | 22 Ga. | CP |

**C.O. PLUGS**

Two Piece-less overflow

|       |           |        |    |
|-------|-----------|--------|----|
| C5356 | 1 1/4 X 5 | 22 Ga. | CP |
|-------|-----------|--------|----|



**ARMS ONLY FOR CONTINUOUS WASTES**  
With C.P. Zinc Nuts and Washers

|       |            |
|-------|------------|
| C4262 | 1 1/2 X 15 |
| C5337 | 1 1/2 X 24 |

|    |        |
|----|--------|
| SC | 20 Ga. |
| SC | 20 Ga. |



Hiway Arms

|       |            |
|-------|------------|
| C4263 | 1 1/2 X 15 |
| C5338 | 1 1/2 X 24 |

|    |        |
|----|--------|
| SC | 20 Ga. |
| SC | 20 Ga. |

### TEES ONLY FOR CONTINUOUS WASTES

Cast Tees w/Tailpieces

| Cat. No. | Description                    | Finish |
|----------|--------------------------------|--------|
| C5341    | For End Outlet-Direct          | SC     |
| C5382    | For End Outlet S.J. w/Baffle   | SC     |
| C5384    | For End Outlet Direct-w/Baffle | SC     |
| C5340    | For Center Outlet              | SC     |
| C5383    | For Center Outlet w/Baffle     | SC     |
| C5381    | Three-way Repair Tee           | SC     |



### THREADED TUBE-T.B.E.

| Cat. No. | Description           | Finish    |
|----------|-----------------------|-----------|
| C4280    | 1 1/4 X 12            | 20 Ga. CP |
| C4281    | 1 1/2 X 12            | 20 Ga. CP |
| C5373    | 1 1/4 X 12            | 17 Ga. CP |
| C5375    | 1 1/2 X 12            | 17 Ga. CP |
| C5369    | 1 1/2 X 1 1/4 X 8 TOE | 17 Ga. CP |
| C5374    | 1 3/8 X 12            | 22 Ga. CP |



### SINK TAILPIECES

|       |                   |        |    |
|-------|-------------------|--------|----|
| C5365 | 1 1/2 X 4         | 20 Ga. | CP |
| C5366 | 1 1/2 X 6         | 20 Ga. | CP |
| C4275 | 1 1/2 X 8         | 20 Ga. | CP |
| C4276 | 1 1/2 X 12        | 20 Ga. | CP |
| C5364 | 1 1/2 X 1 1/4 X 8 | 20 Ga. | CP |
| C5367 | 1 1/2 X 8         | 17 Ga. | CP |
| C5368 | 1 1/2 X 12        | 17 Ga. | CP |



### EXTENSION TUBES-SLIP JOINT

|       |            |        |    |
|-------|------------|--------|----|
| C5359 | 1 1/4 X 8  | 20 Ga. | CP |
| C4268 | 1 1/4 X 12 | 20 Ga. | CP |
| C5362 | 1 1/2 X 8  | 20 Ga. | CP |
| C4272 | 1 1/2 X 12 | 20 Ga. | CP |
| C5358 | 1 1/4 X 8  | 17 Ga. | CP |
| C5360 | 1 1/4 X 12 | 17 Ga. | CP |
| C5361 | 1 1/2 X 8  | 17 Ga. | CP |
| C5363 | 1 1/2 X 12 | 17 Ga. | CP |



### BRANCH TAILPIECES

8" Length only

|       |  |        |
|-------|--|--------|
| C5371 | Hose Thread Conn. & 1/2" Sweat             | 22 Ga. |
| C4278 | 1/2" Sweat Conn.                           | 22 Ga. |
| C5372 | 3/4" Hose Clamp Conn.                      | 20 Ga. |
| C5342 | Tailpiece Adapter 1 1/2 x 1, TOE x Flanged |        |



### 6 FT. BRASS TUBING

| Plain Ends |            |        |    |
|------------|------------|--------|----|
| C5305      | 1 1/4 O.D. | 20 Ga. | CP |
| C5306      | 1 3/8 O.D. | 22 Ga. | CP |
| C5307      | 1 1/2 O.D. | 20 Ga. | CP |
| C5308      | 1 1/2 O.D. | 17 Ga. | CP |



### DOUBLE END STRAIGHT GOODS

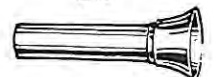
20 Ga. only

|       |  |
|-------|--|
| C4273 | 1 1/4 X 16 Slip Joint both ends w/N&W  |
| C4274 | 1 1/2 X 16 Slip Joint both ends w/N&W  |
| C4277 | 1 1/2 X 16 Flanged Tailpiece both ends |



### SINK FUNNELS

|       |           |        |    |
|-------|-----------|--------|----|
| C5298 | 1 1/2 X 8 | 22 Ga. | SC |
|-------|-----------|--------|----|



### WASTE SHOES

|       |   |
|-------|---|
| C5288 | 1 3/8" Cast Brass Waste Shoe (1 5/8 x 16 UNF Fine Thread), Satin Chrome Finish w/ Waste Tube and Chrome Strainer Body |
| C5289 | 1 1/2" Rough Brass Waste Shoe (1 5/8 x 16 UNF Fine Thread) w/ Waste Tube and Chrome Strainer Body                     |





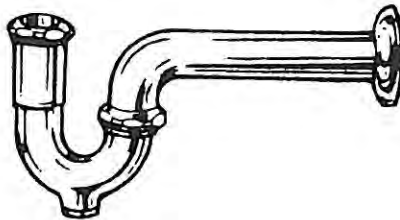
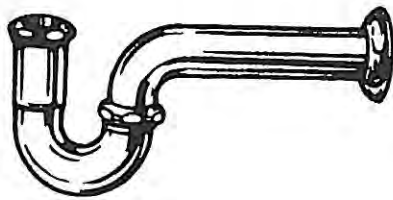
**TUBULAR P-TRAPS**

Less Cleanout

|       |                         |        |    |
|-------|-------------------------|--------|----|
| C4267 | 1 1/4 x 1 1/4 w/12" Arm | 17 Ga. | CP |
| C4397 | 1 1/4 x 1 1/4           | 20 Ga. | CP |
| C5353 | 1 1/2 x 1 1/2           | 20 Ga. | SC |
| C4266 | 1 1/4 x 1 1/4           | 17 Ga. | CP |
| C4269 | 1 1/2 x 1 1/2           | 17 Ga. | SC |
| C4270 | 1 1/2 x 1 1/2 w/12" Arm | 17 Ga. | SC |

With Cleanout

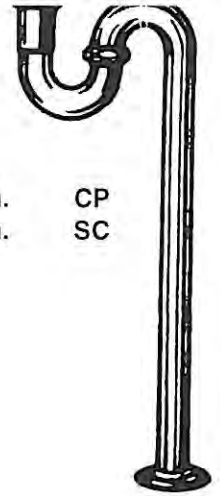
|       |               |        |    |
|-------|---------------|--------|----|
| C4586 | 1 1/4 x 1 1/4 | 17 Ga. | CP |
| C4587 | 1 1/2 x 1 1/2 | 17 Ga. | CP |



**TUBULAR S-TRAPS**

20 1/2" Floor Tube Trap  
Less Cleanout

|       |               |        |    |
|-------|---------------|--------|----|
| C5351 | 1 1/4 x 1 1/4 | 20 Ga. | CP |
| C5352 | 1 1/2 x 1 1/2 | 20 Ga. | SC |



**COPPER COMPRESSION x  
M.I.P. WASTE CONNECTORS**

|      |                             |
|------|-----------------------------|
| C750 | 1 1/4" O.D. x 1 1/4" M.I.P. |
| C752 | 1 1/4" O.D. x 1 1/2" M.I.P. |
| C754 | 1 1/2" O.D. x 1 1/2" M.I.P. |



**COPPER COMPRESSION x  
F.I.P. WASTE CONNECTORS**

|      |                             |
|------|-----------------------------|
| C751 | 1 1/4" O.D. x 1 1/4" F.I.P. |
| C753 | 1 1/4" O.D. x 1 1/2" F.I.P. |
| C755 | 1 1/2" O.D. x 1 1/2" F.I.P. |



**SLIP JOINT NUTS  
C.P. Zinc Die Cast**

|       |                 |
|-------|-----------------|
| C4547 | 1/2" x 1/2"     |
| C4551 | 1 1/4" x 1 1/4" |
| C4555 | 1 1/2" x 1 1/4" |
| C4557 | 1 1/2" x 1 3/8" |
| C4560 | 1 1/2" x 1 1/2" |
| C4563 | 2" x 2"         |



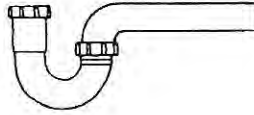
**SLIP JOINT NUTS  
Brass**

|       |                 |    |
|-------|-----------------|----|
| C4546 | 1/2" x 3/8"     | CP |
| C4549 | 1/2" x 1/2"     | CP |
| C4554 | 1 1/4" x 1 1/4" | CP |
| C4559 | 1 1/2" x 1 3/8" | RB |
| C4562 | 1 1/2" x 1 1/2" | CP |
| C4565 | 2" x 2"         | CP |
| C4553 | 1 1/4" x 1 1/4" | RB |

103

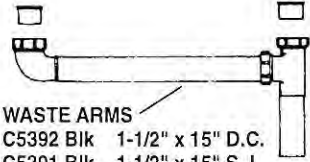
### TUBULAR P TRAP w/Adapta-Flange

| Cat. No. | Description                              | Finish |
|----------|--|--------|
| C4293    | 1 1/2" X 1 1/2" or 1 1/2" X 1 1/4" Boxed | White  |
| C4258    | 1 1/2" X 1 1/2" or 1 1/2" X 1 1/4" Boxed | Black  |
| C5410    | 1-1/4" x 1-1/4" Bagged                   | White  |



### S TRAP W/Adapta-Flange

|       |                                    |       |
|-------|------------------------------------|-------|
| C5412 | 1 1/2" X 1 1/2" or 1 1/2" X 1 1/4" | White |
|-------|------------------------------------|-------|



WASTE ARMS  
 C5392 Blk 1-1/2" x 15" D.C.  
 C5391 Blk 1-1/2" x 15" S.J.  
 C5403 Wht 1-1/2" x 15" D.C.

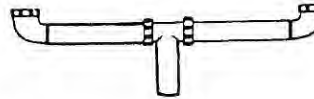
### CONTINUOUS WASTES-END OUTLET w/Baffle

| Slip Joint and/or Direct Connect |                         |            |       |
|----------------------------------|-------------------------|------------|-------|
| C4294                            | 1 1/2" X 16" End Outlet | Universal  | White |
| C4285                            | 1 1/2" X 16" End Outlet | Universal  | Black |
| C5390                            | 1-1/2" x 16" End Outlet | Dir. Conn. | Black |
| C5389                            | 1-1/2" x 16" End Outlet | Slip Joint | Black |

## ELBOWS & CONNECTORS

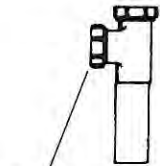
### UNIVERSAL CONTINUOUS WASTES CENTER OUTLET w/Baffle

| Slip Joint and/or Direct Connect |                            |       |
|----------------------------------|----------------------------|-------|
| C5402                            | 1 1/2" X 16" Center Outlet | White |
| C4286                            | 1 1/2" X 16" Center Outlet | Black |



C5409

Three Way S.J. Tee 1-1/2" White



S.J. NUTS  
 C5399 White  
 C4283 Black

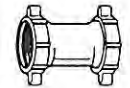


### CONTINUOUS WASTE TEES w/Tailpiece

|       |                  |       |
|-------|------------------|-------|
| C5404 | 1 1/2" E.O. S.J. | White |
| C5406 | 1 1/2" E.O. D.C. | White |

### WASTE REPAIR FITTINGS

|       |                                |       |
|-------|--------------------------------|-------|
| C5408 | 1 1/2" X 1 1/2" 90° Slip Elbow | White |
|-------|--------------------------------|-------|



C5413

1-1/2" x 2" Double Slip Connector White

### SINK TAILPIECES

|       |                                |       |
|-------|--------------------------------|-------|
| C5417 | 1 1/2" X 16" Flanged Both Ends | White |
| C4290 | 1 1/2" X 16" Flanged Both Ends | Black |
| C5415 | 1 1/2" X 8" Flanged One End    | White |
| C5397 | 1 1/2" X 8" Flanged One End    | Black |
| C5416 | 1 1/2" X 12" Flanged One End   | White |
| C4289 | 1 1/2" X 12" Flanged One End   | Black |
| C5400 | 1-1/2" Tail Piece Adapter      | White |
| C5388 | 1-1/2" Tail Piece Adapter      | Black |

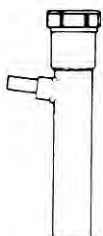
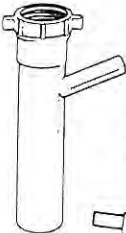
### SLIP JOINT EXTENSION TUBES w/Nuts

|       |                             |       |
|-------|-----------------------------|-------|
| C5414 | 1 1/2" X 16" Slip Both Ends | White |
| C4288 | 1 1/2" X 16" Slip Both Ends | Black |



### BRANCH TAILPIECES

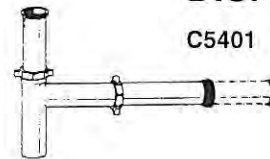
|       |                                     |       |
|-------|-------------------------------------|-------|
| C5418 | 1-1/2" x 8" Slip Joint, 1/2" Branch | White |
| C4291 | 1-1/2" x 8" Slip Joint, 1/2" Branch | Black |



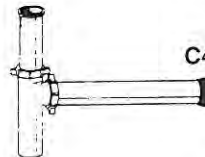
|       |                                  |       |
|-------|----------------------------------|-------|
| C5419 | 1-1/2" x 8" Hi-Line, 1/2" Branch | White |
| C4292 | 1-1/2" x 8" Hi-Line, 1/2" Branch | Black |
| C5420 | 1-1/2" x 8" Hi-Line, 3/4" Branch | White |

### DISPOSER KITS

|       |   |       |
|-------|---|-------|
| C5401 | 1-1/2" Telescopic Disposer Kit for In-Sink-Erator Or GE | White |
|-------|---|-------|



|       |                                 |       |
|-------|---------------------------------|-------|
| C4284 | 1-1/2" x 15" End Outlet for ISE | Black |
|-------|---------------------------------|-------|



**STEEL FLANGES (ESCUTCHEONS) C.P.**

| PART NO.         | SIZE        | HEIGHT     | O.D.   |
|------------------|-------------|------------|--------|
| <b>SURE GRIP</b> |             |            |        |
| C4495            | 3/8" IPS    | 7/16"      | 2 1/2" |
| C4497            | 1/2" IPS    | 7/16"      | 2 1/2" |
| C4499            | 3/4" IPS    | 7/16"      | 2 1/2" |
| C4501            | 5/8" O.D.   | 7/16"      | 2 1/2" |
| C4502            | 7/8" O.D.   | 7/16"      | 2 1/2" |
| C4503            | 1 1/4" O.D. | 1 1/16"    | 3"     |
| C4504            | 1" IPS      | 1 1/16"    | 3"     |
| C4505            | 1 1/4" IPS  | 1 1/16"    | 3"     |
| C4506            | 1 1/2" IPS  | 3/4"       | 3 1/2" |
| C4507            | 1 1/2" O.D. | 1 1/16"    | 3"     |
| C4515            | 2" O.D.     | 3/4"       | 3 1/2" |
| C4516            | 2" IPS      | 3/4"       | 3 1/2" |
| C4517            | 1 3/8" O.D. | for 1 1/4" | CWT    |

| PART NO.        | SIZE        | HEIGHT | O.D. |
|-----------------|-------------|--------|------|
| <b>HIGH BOX</b> |             |        |      |
| C4508           | 1 1/2" IPS  | 1 3/4" | 3"   |
| C4509           | 1 1/2" O.D. | 1 3/4" | 3"   |
| C4510           | 1 1/4" IPS  | 1 3/4" | 3"   |
| C4511           | 1 1/4" O.D. | 1 3/4" | 3"   |
| C4513           | 2" O.D.     | 1 3/4" | 3"   |



| PART NO.    | SIZE        | HEIGHT | O.D.   |
|-------------|-------------|--------|--------|
| <b>BELL</b> |             |        |        |
| C4480       | 3/8" IPS    | 7/16"  | 2 1/2" |
| C4481       | 1/2" IPS    | 7/16"  | 2 1/2" |
| C4482       | 1 1/2" O.D. | 1 1/2" | 3"     |
| C4483       | 1 1/4" O.D. | 1 1/2" | 3"     |



**FLOOR AND CEILING PLATES C.P.**

**SURE GRIP STYLE**

|       |                         |        |
|-------|-------------------------|--------|
| C4518 | 3/8" IPS                | 2 7/8" |
| C4519 | 1/2" IPS                | 2 7/8" |
| C4520 | 3/4" IPS                | 2 7/8" |
| C4521 | 1" IPS                  | 3 5/8" |
| C4522 | 1 1/4" IPS & 1 1/2" CWT | 3 5/8" |
| C4523 | 1 1/2" IPS              | 3 5/8" |
| C4524 | 2" IPS                  | 4 5/8" |
| C4525 | 5/8" O.D. for 1/2" CWT  | 2 7/8" |
| C4526 | 7/8" O.D. for 3/4" CWT  | 2 7/8" |



**H.D. F & C PLATES WITH SPRINGS**

|       |            |        |
|-------|------------|--------|
| C4527 | 3" IPS     | 6"     |
| C4528 | 3 1/2" IPS | 6 5/8" |



**BRASS FLANGES (ESCUTCHEONS) C.P.**

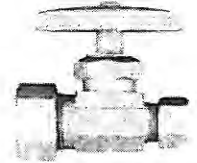
| PART NO.         | SIZE      | HEIGHT | O.D.   |
|------------------|-----------|--------|--------|
| <b>SURE GRIP</b> |           |        |        |
| C4496            | 1/2" IPS  | 7/16"  | 2 1/2" |
| C4500            | 5/8" O.D. | 7/16"  | 2 1/2" |



### COPPER COMPRESSION INLET x COPPER COMPRESSION (RISER) OUTLET



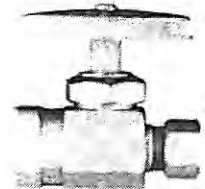
| Cat. No. | Part No. | Valve Type | Valve Inlet      | Riser Outlet     | Cat. No. |
|----------|----------|------------|------------------|------------------|----------|
| CHROME C |          |            | POL. BRASS       |                  |          |
| C773     | CR19     | Angle      | 1/2" Nom. Compr. | 3/8" O.D. Compr. | C745     |
| C775     | CR39     | Angle      | 1/2" Nom. Compr. | 1/2" O.D. Compr. | C746     |
| C771     | CR09     | Angle      | 1/2" Nom. Compr. | 1/4" O.D. Compr. |          |
| C772     | CR14     | Straight   | 1/2" Nom. Compr. | 3/8" O.D. Compr. | C744     |
| C774     | CR34     | Straight   | 1/2" Nom. Compr. | 1/2" O.D. Compr. |          |



### F.I.P. INLET x COPPER COMPRESSION (RISER) OUTLET



|      |     |          |             |                  |      |
|------|-----|----------|-------------|------------------|------|
| C759 |     | Angle    | 3/8" F.I.P. | 3/8" O.D. Compr. |      |
| C760 | R17 | Angle    | 1/2" F.I.P. | 3/8" O.D. Compr. | C743 |
| C764 | R37 | Angle    | 1/2" F.I.P. | 1/2" O.D. Compr. |      |
| C756 | R07 | Angle    | 1/2" F.I.P. | 1/4" O.D. Compr. |      |
| C757 |     | Straight | 3/8" F.I.P. | 3/8" O.D. Compr. |      |
| C758 | R12 | Straight | 1/2" F.I.P. | 3/8" O.D. Compr. | C742 |
| C762 | R32 | Straight | 1/2" F.I.P. | 1/2" O.D. Compr. |      |



### F.I.P. INLET x F.I.P. (RISER) OUTLET



|      |     |          |             |             |
|------|-----|----------|-------------|-------------|
| C770 | R87 | Angle    | 1/2" F.I.P. | 1/2" F.I.P. |
| C769 |     | Straight | 1/2" F.I.P. | 1/2" F.I.P. |



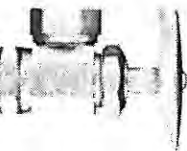
### COPPER SWEAT INLET x COPPER COMPRESSION (RISER) OUTLET



|      |     |          |                 |                  |
|------|-----|----------|-----------------|------------------|
| C761 | R19 | Angle    | 1/2" Nom. Sweat | 3/8" O.D. Compr. |
| C763 | R34 | Straight | 1/2" Nom. Sweat | 1/2" O.D. Compr. |



### F.I.P. INLET x RUBBER SLIP-JOINT (RISER) OUTLET



|      |      |          |             |                        |
|------|------|----------|-------------|------------------------|
| C787 |      | Angle    | 1/2" F.I.P. | 1/2" & 7/16" O.D. Tube |
| C788 | 3305 | Straight | 1/2" F.I.P. | 1/2" & 7/16" O.D. Tube |



### INTEGRAL SHUT-OFF STRAIGHT VALVES



|      |                                  |             |             |
|------|----------------------------------|-------------|-------------|
| C785 | Lock Shield<br>Screw-Driver Slot | 1/2" F.I.P. | 1/2" M.I.P. |
|------|----------------------------------|-------------|-------------|