

**AUTO-CLOZ (-DF) MECH. METERING
CARTRIDGE FOR PENAL-TROL VALVE**

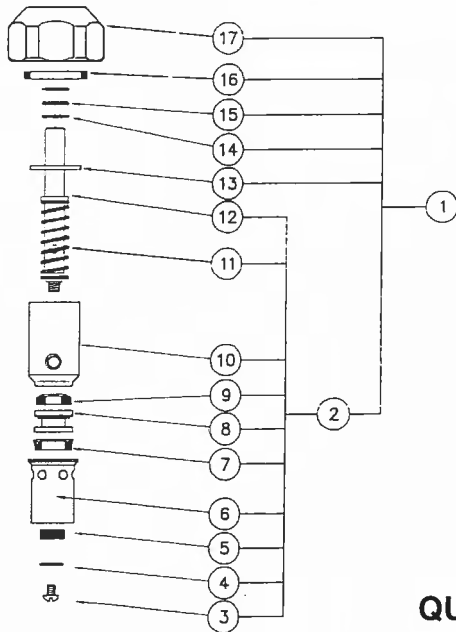
A-TIMING IS ADJUSTABLE FROM 5 TO 30 SECONDS. TURN THE SCREW, ITEM #3, CLOCKWISE TO INCREASE TIMING, COUNTER-CLOCKWISE TO DECREASE TIMING. CHANGES IN WATER TEMPERATURE WILL AFFECT TIMING AND MAY REQUIRE READJUSTMENT.

B-CARTRIDGES SHALL BE ASSEMBLED TO VALVE BODIES WITH A MAX OF 35 FT/LBS OF TORQUE. DO NOT OVERTIGHTEN.

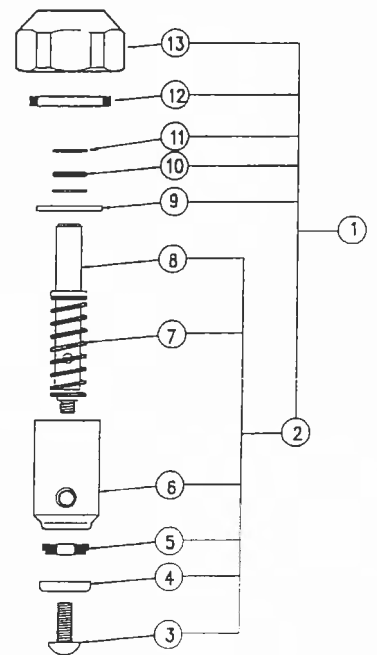
SUPPLY WATER WITH HIGH MINERAL CONTENT OR THE PRESENCE OF FOREIGN MATERIALS SUCH AS SAND OR SILT WILL PLUG UP THE FELT WASHER, ITEM #5, AND CAN ULTIMATELY PREVENT SHUTOFF. WEAR OF U-PACKING, ITEM #7, WILL RESULT IN "QUICK-CLOZ" OPERATION. SHOULD THESE CONDITIONS EXIST, ACORN RECOMMENDS REPLACEMENT WITH PN 2302-020-001, WHICH WILL PROVIDE SUPERIOR PERFORMANCE.

C111

1	2305-050-003	CARTRIDGE ASSY-COMplete	10	2305-014-000	SLEEVE
2	2305-011-001	CARTRIDGE ASSY-LESS BONNET	11	1380-004-000	SPRING
3	0106-011-000	4-40 x 3/16" LG. RD HD SCREW	12	2305-011-199	ROD
4	0335-001-000	WASHER	13	2305-013-000	"O"-RING RETAINER
5	0445-001-000	FELT GASKET	14	0409-011-000	BACK-UP RING (2 REQ'D)
6	2305-051-199	DASHPOT	15	0401-011-000	"O"-RING
7	0408-001-000	"U" PACKING	16	0431-023-000	BONNET GASKET Pk of 10
8	2305-004-199	PISTON	17	2305-010-199	BONNET
9	0439-011-000	GASKET DISC			



**QUICK-CLOZ VALVE CARTRIDGE
FOR PENAL-TROL VALVE**



A-CARTRIDGES SHALL BE ASSEMBLED TO VALVE BODIES WITH A MAX OF 35 FT/LBS OF TORQUE. DO NOT OVERTIGHTEN.

NOTE:

UNDER SOME OPERATING CONDITIONS THESE QUICK-CLOZ CARTRIDGES MAY CREATE WATERHAMMER AND, WHEN USED IN HOT AND COLD APPLICATIONS, IT IS DIFFICULT TO

SIMULTANEOUSLY CONTROL AND UTILIZE THE BLENDED OUTLET STREAM. SHOULD THESE CONDITIONS EXIST, ACORN RECOMMENDS REPLACEMENT WITH PN 2302-020-001, WHICH ELIMINATES WATERHAMMER AND METERS, AS SET, UP TO ONE MINUTE.

C111

C112	1	2304-000-001	CARTRIDGE ASSEMBLY-COMplete	8	2304-001-199	ROD
C113	2	2304-001-001	CARTRIDGE ASSY-LESS BONNET	9	2305-013-000	"O"-RING RETAINER
	3	0116-010-000	#10-32 x 1/2" LG. PHILLIPS	10	0401-011-000	"O"-RING
	4	2260-009-199	DISC RETAINER	11	0409-011-000	BACK-UP RING
	5	0439-001-000	GASKET DISC	12	0431-023-000	BONNET GASKET Pk of 10
	6	2305-014-000	SLEEVE & SEAT	13	2305-010-199	BONNET
	7	1380-004-000	SPRING			

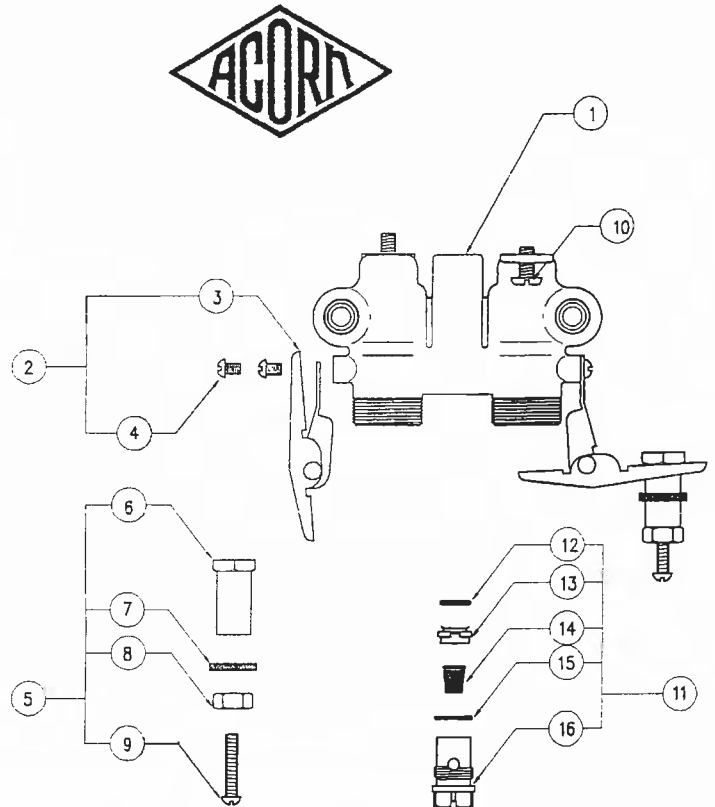
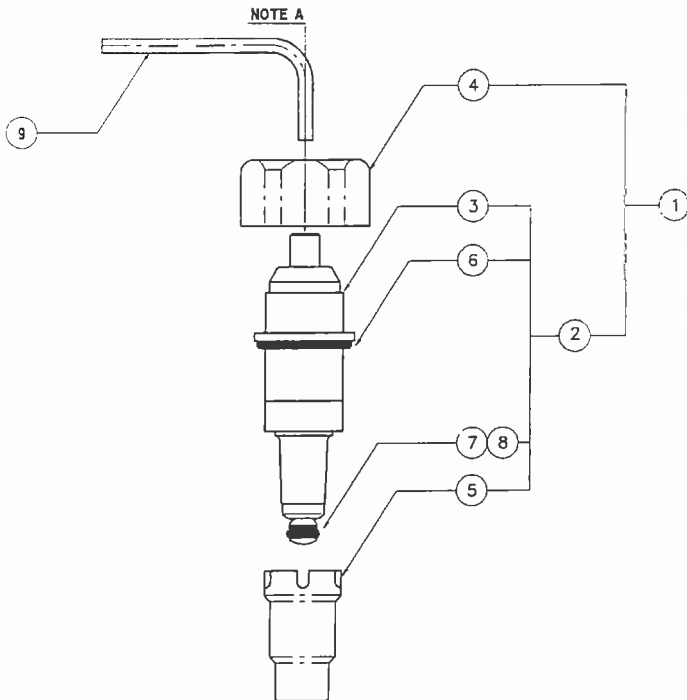
PENAL-MATIC (-M FLUID METERING) CARTRIDGE FOR PENAL-TROL VALVES

A-TIMING IS ADJUSTABLE FROM 5 TO 60 SECONDS AND IS ACCOMPLISHED BY INSERTING HEX WRENCH, 1 ITEM #9, INTO THE HOLE IN THE STEM. TURNING THE NEEDLE CLOCKWISE INCREASES TIMING, COUNTERCLOCKWISE DECREASES TIMING. DO NOT ATTEMPT TO REMOVE THE TIMING NEEDLE, TO DO SO WILL

VOID THE WARRANTY. CHANGES IN WATER PRESSURE AND/OR TEMPERATURE WILL AFFECT TIMING AND MAY REQUIRE READJUSTMENT.

B-BONNET, ITEM #4, SHALL BE ASSEMBLED TO VALVE BODY WITH A MAX OF 35 FT./LBS. DO NOT OVERTIGHTEN.

C111	1	2302-020-001	CARTRIDGE ASSY-COMplete	6	0401-117-000	O-RING
	2	2302-020-002	CARTRIDGE ASSY-LESS BONNET	7	0403-104-000	O-RING
C109	3	2302-000-001	CARTRIDGE	8	0401-006-000	O-RING
	4	2309-023-199	BONNET NUT	9	0298-003-000	3/32" ALLEN WRENCH
	5	2302-005-000	SEAT			

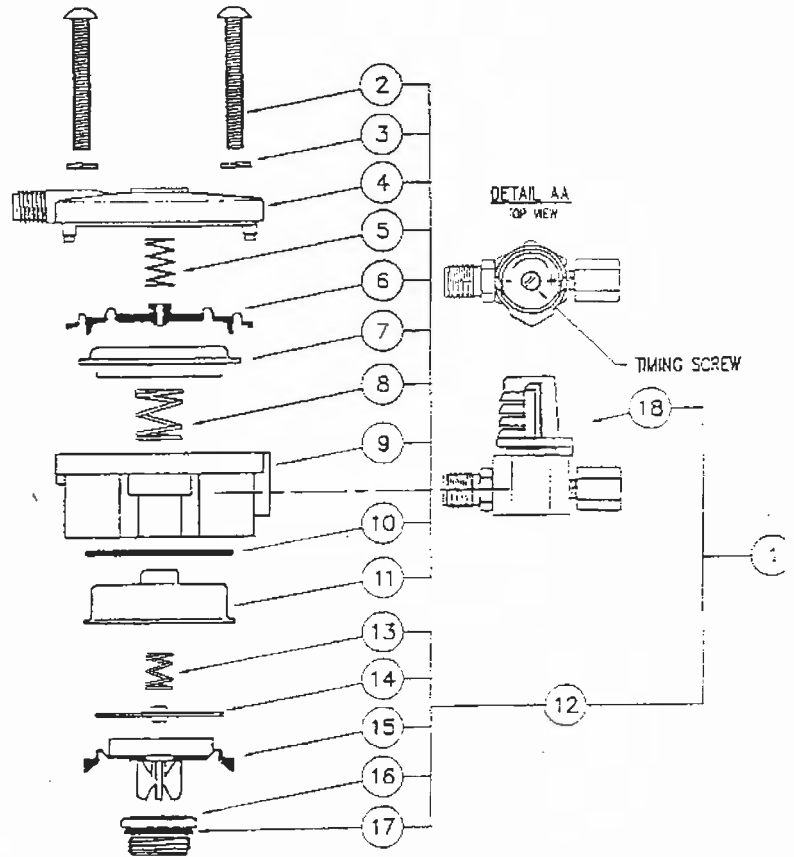


PENAL-TROL VALVE BODY ASSEMBLY

1	2310-020-199	VALVE BODY (3/8" NCT INLET)	10	0126-004-000	1/4"-20 x 3/8" LG. PANHEAD
2	2314-000-002	ROCKER/FULCRUM ASSY	11	2312-003-001	.5 GPM FLO-CONTROL ASSY
3	2314-000-001	ROCKER/FULCRUM SUB-ASSY	12	0401-014-000	O-RING
4	0116-004-000	#10-32 x 1/4" LG. RD. HEAD	13	2312-002-000	FLO-CONTROL RETAINER
5	2315-000-002	ADJUSTING CUP ASSEMBLY	14	0469-005-000	.5 GPM FLO-CONTROL
6	2315-000-199	ADJUSTING CUP	15	0401-012-000	O-RING
7	2315-001-000	ADJUSTING CUP RETAINER	16	2312-003-000	FLO-CONTROL PLUG
8	0302-004-000	#10-32 ADJ NUT	17	2310-900-001	VALVE ASSY-ITEMS 1 THRU 16
9	0106-014-000	#10-32 x 1" LG. RD. HEAD			

C114

AIRTROL METERING SERVOMOTOR ASSEMBLY



NOTE:
TIMING IS ADJUSTABLE FROM 5 TO 60 SECONDS AND IS ACCOMPLISHED BY ROTATING THE TIMING SCREW (SEE DETAIL AA). TURNING THE SCREW CLOCKWISE INCREASES TIMING, COUNTERCLOCKWISE DECREASES TIMING.

C6842

ITEM	PART NUMBER	DESCRIPTION
1	2563-020-002	METERING SERVOMOTOR ASSEMBLY
2	0126-008-000	#8-32 x 1 1/4" LG. PHILLIPS
3	0331-003-000	#8 LOCKWASHER
4	2563-024-000	COVER PLATE-METERING
5	2563-023-000	DIAPHRAGM SPRING
6	2563-022-000	DIAPHRAGM
7	2563-021-001	MAGNET CUP ASSEMBLY
8	2563-003-000	ACTUATOR SPRING
9	2563-001-000	MOTOR HOUSING

ITEM	PART NUMBER	DESCRIPTION
10	0401-026-000	SEPARATOR CUP "O"-RING
11	2563-002-199	SEPARATOR CUP
12	2560-015-001	WATER CHAMBER ASSEMBLY
13	2563-008-000	ORIFICE PLATE SPRING
14	2563-009-001	ORIFICE PLATE ASSEMBLY
15	2563-010-001	WATER DIAPHRAGM ASSEMBLY
16	2580-000-199	SEAT
17	0401-014-000	"O"-RING
18	2564-000-001	TIMER ASSEMBLY

C6841

Single Lavatory Faucet

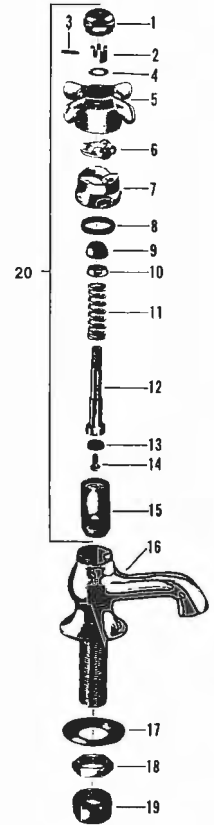
Self-Closing – RE-NU

Model Numbers

2277.010 (R 2212 C), 2277.028 (R 2212 H)

no.	description	part no.	Cat. No.
1	Button - Specify Index	23329-02	C3721
2	Stem Nut	1150-07	C3608
3	Pin	433-07	C3539
4	Brass Washer	21771-07	C3719
5	Handle	23437-02	
6	Ball Race	527-17	C3550
7	Cap	21430-02	
8	Cap Washer	1044-07	C3602
9	Stem Packing	129-07	C3510
10	Gland	33897-07	
11	Spring	1188-07	C3614
12	Stem w/washer & Screw	63374-07	
13	Seat Washer	1171-27	C3610
14	Seat Washer Screw	159-17	
15	Re-Nu Sleeve	21376-07	
16	Body	37215-02*	
17	Friction Washer	1374-19	
18	Lock Nut	300-27	
19	Coupling Nut	24220-07	
20	Self-Closing Unit - Specify Index	9101-02	C3684 & C3685

• NOT AVAILABLE

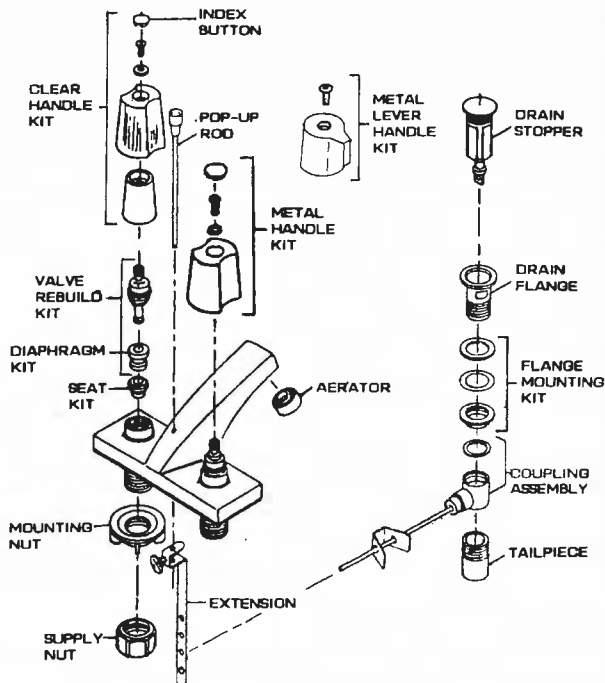


Cadet Centerset Lavatory Faucet



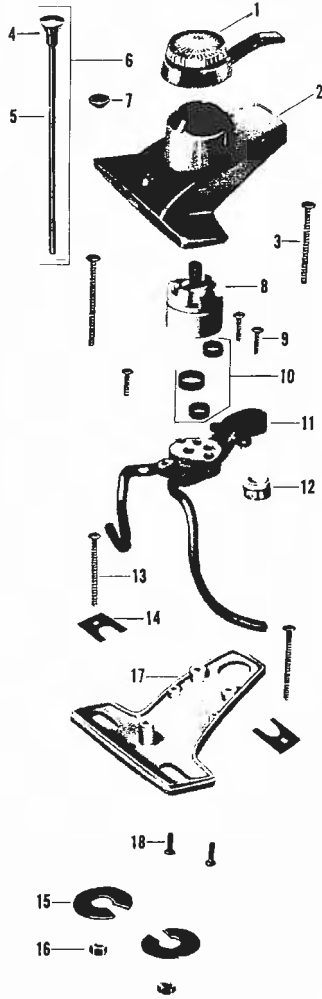
Model Numbers

2350.015, 2350.023, 2350.049
2350.057, 2350.073, 2350.098, 2350.106



description	part no.	Cat. No.
Clear Handle Kit	44291.0XX0A	
Metal Handle Kit	44292.0020A	
Metal Lever Handle Kit	66271.0020A	
Index Button (Clear or metal)	68498.0070A	
Aerator	34171.0XX0A	
Valve Rebuild Kit (Knob Handle)	66287.0070A	C3890
Valve Rebuild Kit (Lever Handle)	66288.0070A	C3891
Diaphragm Kit	44293.0070A	C3802
Seat Kit	44257.0040A	C3800
Supply Nut	24220.0070A	
Mounting Nut	65800.0070A	
Pop-Up Rod	26374.0XX0A	
Extension	72574.0070A	
Coupling Assembly	66265.0040A	
Flange Mounting Kit	66264.0070A	
Drain Flange	64751.0XX0A	
Drain Stopper	70460.0XX0A	C3906
Tailpiece	70532.0040A	

Replace the XX with 02 for Chrome.
Other Finishes Special Order.



Aquarian Centerset Single Control Lavatory Fittings Model Numbers 2179.018, 2179.026

no.	description	part no.	Cat. No.
1	Handle	77033-02	C3946
2	Escutcheon	57603-02	
3	Cartridge screw	57613-07	
4	Knob	57625-02	
5	Lift Rod	29320-04	
6	Lift Rod w/Knob S/A	57670-02	
7	Plug Button	29325-02	
8	Cartridge (4 gal.) S/A	57864-07	C3861
9	Screw	33335-07*	
10	Cartridge Seal Set	57583-07	C3857
11	Manifold S/A	57606-07*	
12	Aerator	56135-02	C3851
13	Carriage Bolt	57608-07*	
14	Mounting Retainer	57607-09*	
15	Washer, Slotted	69344-09*	
16	Nut	69343-09	
17	Underbody	57601-07	
18	Underbody (L.A. code) Mounting screw Aerator Key (Not Shown)	57602-07 69346-01 56130-07	

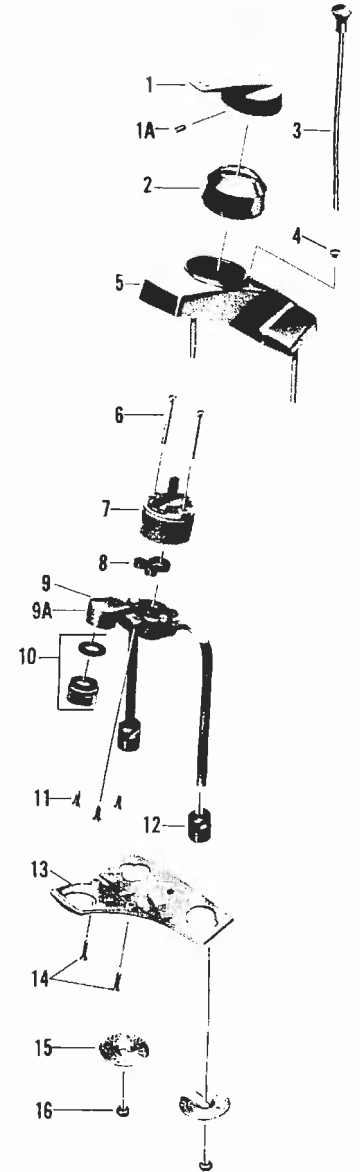
• NOT AVAILABLE



Aquarian II Centerset Single Control Lavatory Fittings Model Numbers 2379.030, 2379.018

no.	description	part no.	Cat. No.
1	Handle S/A*	70545-02	C3911
1A	Handle Screw	37957-09	
2	Escutcheon Cap	70564-02	
3	Lift Rod & Knob	70416-02	
4	Plug Button	29325-02	
5	Escutcheon w/Screws	70561-02	
6	Cartridge Screws (2)	57613-07	
7	Cartridge S/A	57864-07	C3861
8	Cartridge Seal Set	57583-07	
9	Manifold Less Adaptors	70570-07*	
9A	Manifold w/Adaptors	70571-07*	
10	Aerator	56135-02	C3851
10A	Vandal Proof Aerator (Not Shown)	70494-02	
10B	Aerator Key (Not Shown)	70493-07	
11	Manifold Screws	70566-07*	
12	Adaptor	61420-07	
13	Underbody	70562-07	
14	Screws	70565-01	
15	Washer	69344-09	
16	Nut	69343-09	

• NOT AVAILABLE



Note - Two (2) each of Carriage Bolt 57608-07; Nut 69343-09; Washer 69344-09 & Retainer 57607-09 are used to make Carriage Bolt Mounting Kit 57586-07.

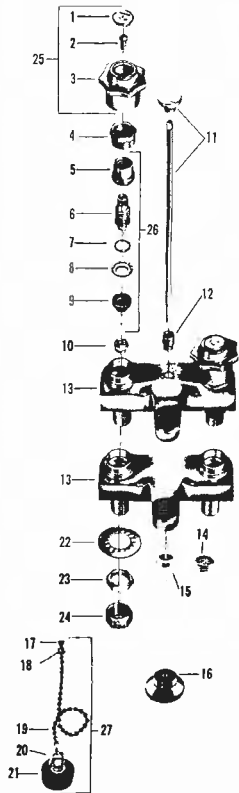
Aerator adaptor drip guard available - 56168-07

Note - 70545-02 Handle S/A cannot be used on Old Style Aquarian Fittings with Maltese Cross Pivot on 57864-07 Cartridge S/A.

Centerset Lavatory Fittings

Heritage Trim—Aquaseal

Model Numbers 2101.012 (N 2001)
2104.016 (N 2041), 2107.019 (N 2098)



no.	description	part no.	Cat. No.
1	Button - Specify Index	1234-22	
2	Handle Screw	915-17	C3592
3	Handle	5358-02*	
4	Lock Nut	855-17	C3584
5	Stem Nut	72956-07	
6	Stem w/swivel & Friction Ring	72952-07*	
7	Friction Ring	246-37	C3522
8	Stop Ring	72959-07	
9	Aquaseal Diaphragm (2)	72940-07	C3925
10	Seat	Brass 862-14, Monel 863-27	C3586
11	Lift Rod w/knob	61052-02	
12	Lift Rod Guide	25845-04	
13	Body w/seats, Shanks & Rod Guide	8176-02*	
	Body w/seats & Shanks	8177-02*	
	Body w/seats & Shanks	8078-02*	
14	End Trim	279-12	
15	Aerator	56135-02	C3851
16	Spray Head S/A	5450-02	
17	Sleeve for Chain	275-04	
18	Chainstay Nut	28182-04	
19	Chain	1112-02	
20	Link	1128-22	
21	Rubber Stopper	1012-12	
22	Friction Washer	54538-09	
23	Lock Nut	300-27	
24	Coupling Nut	24220-07	
25	Assembled Handle Specify Index	6458-02	C3664 & C3665
26	Aquaseal Trim Less Lock Nut	72950-17	
27	Chain & Stopper S/A	8174-02	

• NOT AVAILABLE

Note - For Pop-Up Drain parts refer to 2420.016 (N 2542)
For Chain & Stopper Drain parts refer to 2440.014 (N 2522)

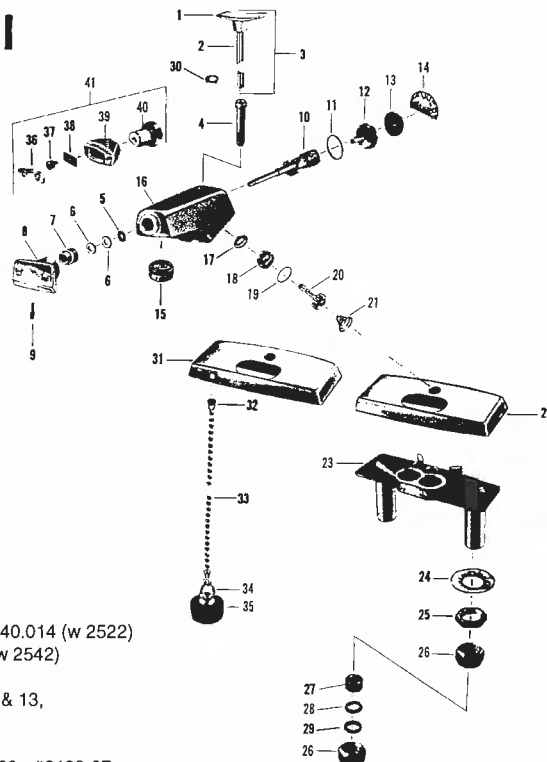
Repair Kit consisting of (2) each parts 10 & 26 - #12930-09.

Repair Kit for Hot or Cold Valve Only consisting of (1) each parts 10 & 26 - #12955-09



Centerset Push-Pull Lavatory Fittings

Model Numbers
2161.016 (N 2061-1)
2161.057 (N 2061-2)



no.	description	part no.	Cat. No.
1	Lift Knob	29330-02*	
2	Lift Rod	29320-04*	
3	Rod & Knob S/A	9437-02	
4	Rod Bushing	29302-02	
5	Adaptor for "v" Packing	29313-07	
6	"v" Packing	29312-07	
7	Adjusting Nut	29419-04	
8	Handle	29331-02	
9	Handle Screw	29415-07	
10	Cam & Shaft S/A	9435-07	C3690
	Cam Shaft S/A	9436-07	
11	"O" Ring	507-37	
12	Guide	29308-07	
13	Dish Spring	29323-07	
14	Back Cover	29322-02	
15	Aerator	56135-02	C3851
16	Spout	29327-02*	
	Spout	29337-02*	
17	Valve Seat	12002-09	C3698
18	Valve Bushing	29315-04	
19	"O" Ring	29307-07	
20	Valve Stem	61429-07	C3868
21	Conical Spring	72510-07	C3919
22	Escutcheon	29333-02	
23	Body	29300-07	
24	Friction Washer	54538-09	
25	Locknut	300-27	
26	Coupling Nut	24220-07	
27	1/2" OD. SJ Washer	1010-17	C3597
28	1/2" OD. Friction Ring	21391-07	
29	7/16" OD. Friction Ring	21545-07	
30	Plug Button	29325-02	
31	Escutcheon	29336-06*	
32	Sleeve for Chain	275-04	
33	Chain	1112-02	
34	Link	1128-22	
35	Rubber Stopper	1012-12	
36	Button	29347-02	
37	Screw	29146-02	
38	Washer	29344-07	
39	Acrylic Handle	29346-07*	
40	Handle Insert	29345-02*	
41	Handle S/A	9455-02	

• NOT AVAILABLE

For Chain & Stopper Drain Parts Refer to 2440.014 (w 2522)
For Pop-Up Drain Parts Refer to 2420.016 (w 2542)

Repair Kit Consisting of (1) each parts 5, 11 & 13,
(2) each parts 6, 17, 19, 20, 21 - #3490-07

Repair Kit Consisting of (2) each parts 17 & 20 - #3493-07

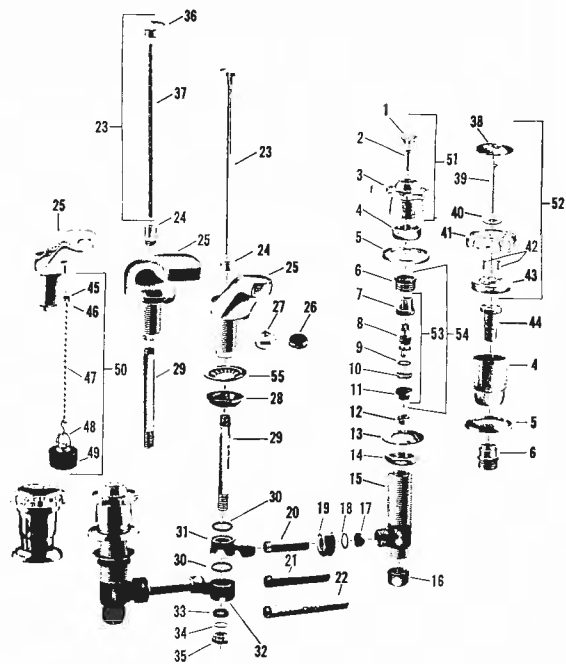
Spread Lavatory Fittings

Heritage and Monogram Trim—Aquaseal

Model Numbers

2200.012 (N 2101-8), N 2111

2214.534 (N 2141-12)

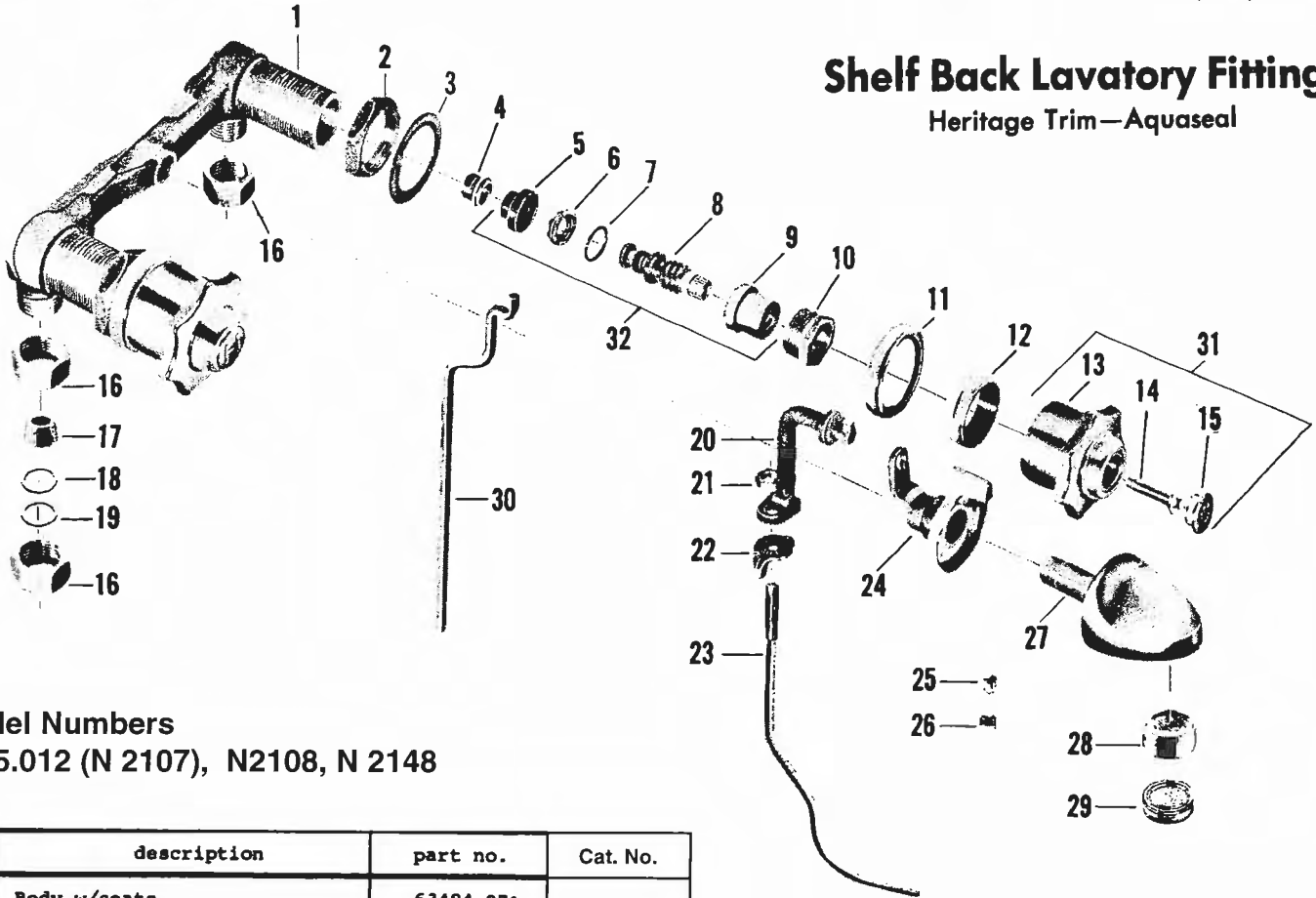


no.	description	part no.	Cat. No.
1	Button - Specify Index	1234-22	C3615 & C3616
2	Handle Screw	1130-17	
3	Handle	5359-02*	
4	Escutcheon Holder	800-34	
5	Escutcheon Holder	25164-03	
5	Escutcheon	679-32	C3563
5	Escutcheon	25887-03	
6	Lock Nut	855-17	C3584
6	Lock Nut	508-17	
7	Stem Nut	72956-07	
8	Stem w/swivel & Friction Ring	72952-07*	
9	Friction Ring	246-37	C3522
10	Stop Ring	72959-07	
11	Aquaseal Diaphragm (2)	72940-07	C3925
12	Seat	Brass 862-14, Monel 863-27	C3586
13	Washer	1013-29	
14	Lock Nut	25045-07	
15	Valve Body w/seat	8163-07	
16	Coupling Nut	24220-07	
17	Slip Joint Washer	1010-17	C3597
18	Friction Washer	21391-07	
19	Slip Joint Nut	24220-07	
20	Tube - 8" Spread	25124-07	C3730
21	Tube - 10" Spread	25125-07	
22	Tube - 12" Spread	25126-07	
23	Rod & Knob Assembly	61052-02	
23	Rod & Knob Assembly	5423-03	
24	Spout Cap	25452-02	
24	Spout Cap	25453-02	
24	Spout Cap	25850-03*	
25	Spout Assembly w/aerator - 3 3/4"	7260-02	
25	Spout Assembly w/aerator (Mono.) - 3 3/4"	4988-03*	
25	Spout Assembly w/end trim - 3 3/4"	7256-02	
25	Spout Assembly w/end trim - 4 3/4"	7285-02	
25	Spout Assembly w/aerator - 4 3/4"	7284-02	
25	Spout Assembly w/aerator - 3 3/4"	5069-02	
25	Spout Assembly w/end trim - 3 3/4"	5064-02*	
25	Spout Assembly w/aerator - 4 3/4"	7286-02	
25	Spout Assembly 2/end trim - 4 3/4"	7287-02*	
25	Spout Assembly w/aerator (Mono.) - 5"	7298-03*	
26	End Trim	279-12	
27	Aerator	56135-02	C3851
27	Aerator	56135-03	
28	Spout Lock Nut	24590-07	
29	Spout Tube	42827-07	
29	Spout Tube	42828-07	
30	Square Cut Washer	1887-07	C3653
31	Upper Tee Part	62193-07*	
32	Lower Tee Part	62192-07*	
33	Packing Washer	677-37	C3560
34	Washer	678-27	C3561
35	Packing Nut	674-27	
36	Lift Rod Knob	25960-03*	
37	Lift Rod	25812-04	
38	Button - Specify Index	25107-03	C3728 & C3729
39	Screw	572-15*	
40	Washer	568-15*	
41	Handle - Clear	586-17	
42	Handle Screw	570-15*	
43	Handle Skirt	25120-03	
44	Handle Adapter	25963-07	
45	Sleeve for Chain	275-04	
46	Chainstay Nut	28182-04	
47	Chain	1112-02	
48	Link	1128-22	
49	Rubber Stopper	1012-12	
50	Chain & Stopper S/A	8174-02	
51	Assembled Handle - Specify Index	6459-02	C3666 & C3667
52	Assembled Handle - Specify Index	9251-03	
53	Aquaseal Trim Less Lock Nut	72950-17	C3926
54	Assembled Aquaseal Trim w/508-17 Lock Nut	72962-07	
55	Washer	1886-09	
Sub-assemblies			
Supply Tee S/A - 8" Centers (Parts 20-30-31-32-33-34)		4974-07	
Supply Tee S/A - 12" Centers (Parts 22-30-31-32-33-34)		4976-07	

Repair Kit for Heritage Trim - (2) each parts 12 & 53 - #12930-09
 Repair Kit for Monogram Trim - (2) each parts 12 & 54 - #12942-09
 Repair Kit for Heritage Trim - (1) each parts 12 & 53 - #12955-09

● NOT AVAILABLE

Shelf Back Lavatory Fittings Heritage Trim—Aquaseal



Model Numbers

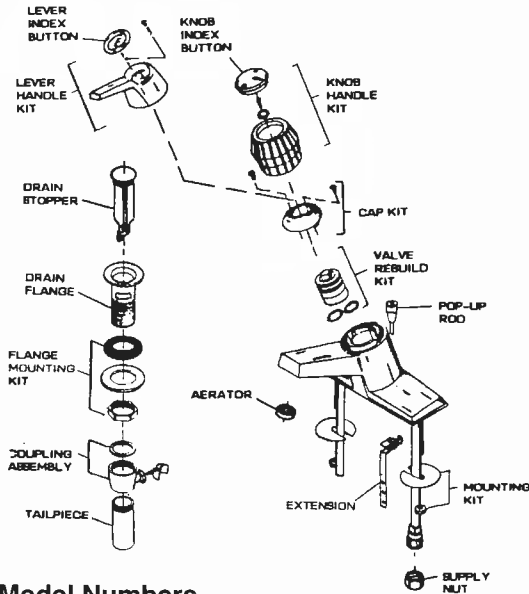
2605.012 (N 2107), N2108, N 2148

no.	description	part no.	Cat. No.
1	Body w/seats	63484-07*	
2	Lock Nut	25045-07	
3	Washer	63459-07	
4	Seat Brass 862-14, Monel 863-27		C3586
5	Aquaseal Diaphragm (2)	72940-07	C3925
6	Stop Ring	72959-07	
7	Friction Ring	246-37	C3522
8	Stem w/swivel & Friction Ring	72952-07*	
9	Stem Nut	72956-07	
10	Lock Nut	855-17	C3584
11	Escutcheon	56315-02	
12	Escutcheon Holder	800-34	
13	Handle	5359-02*	
14	Handle Screw	1130-17	
15	Button - Specify Index	1234-22	C3615 & C3616
16	Coupling Nut	24220-07	
17	1/2" Slip Joint Washer	1010-17	C3597
18	1/2" O.D. Friction Ring	21391-07	
19	7/16" O.D. Friction Ring	21545-07	
20	Lift Rod Connection	63458-07*	

* NOT AVAILABLE

no.	description	part no.	Cat. No.
21	Lock Nut	70387-07	
22	Wing Nut	1720-19*	
23	Lift Rod	63452-07	
24	Handle Ring w/insert	5412-02	
	Handle Ring w/insert	63455-02*	
25	Sleeve for Chain	275-04	
26	Chainstay Nut	28182-04	
27	Spout	63454-02	
	Spout	63448-02*	
	Spout	64012-02*	
28	Aerator	56135-02	C3801
29	End Trim	279-12	
30	Lift Rod	63460-05	
31	Handle S/A - Specify Index	6459-02	C3665 & 3666
32	Aquaseal Trim Less Lock Nut	72950-17	C3926

**Reliant Centerset
Lavatory Faucet**



description	part no.	Cat. No.
Knob Handle Kit	44884.0XX0A	C3803
Knob Index Button	44897.0XX0A	
Lever Handle Kit	44887.0020A	
Lever Index Button	44894.0020A	
Cap Kit	66261.0XX0A	
Aerator	34171.0XX0A	
Valve Rebuild Kit	44885.0070A	C3804
Supply Nut	24220.0070A	
Mounting Kit	66262.0070A	
Pop-Up Rod	26374.0XX0A	
Extension	72574.0070A	
Coupling Assembly	66265.0040A	
Flange Mounting Kit	66264.0070A	
Drain Flange	64751.0XX0A	
Drain Stopper	70460.0XX0A	C3906
Tailpiece	70532.0040A	

Replace the XX with 02 for Chrome.
Other Finishes Special Order.

Model Numbers

2385.011, 2385.032, 2385.049, 2385.057, 2385.063, 2385.078
2385.095, 2385.104, 2385.139, 2385.148, 2385.127R

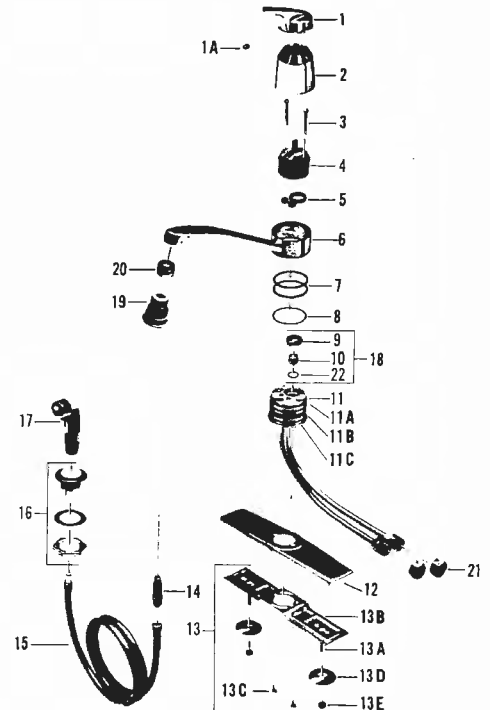


no.	description	part no.	Cat. No.
1	Handle S/A	37982-02	C3795
1A	Set Screw	37957-09	
2	Escutcheon Cap	37964-02	
3	Cartridge Screw	57613-07	
4	Ceramic Cartridge (Includes Part 5)	57864-07	C3861
5	Cartridge Seal Set	57583-07	C3857
6	Spout	37967-02	C3794
7	Spout "O" Ring	37962-07	C3791
8	Slip Ring	37961-07	
9	Diverter Retainer (see 18)	57632-07*	
10	Diverter (See 18)	69360-07*	
11	Manifold S/A	37971-07*	
11A		37973-07*	
11B		37970-07*	
11C		37972-07*	
12	Escutcheon	37966-06	C3793
13	Mounting Screw Kit	69049-07	
13A	Carriage Bolt (See 13)	57620-09*	
13B	Escutcheon Plate (See 13)	37965-09*	C3792
13C	Manifold Screw (See 13)	69331-07*	
13D	Washer (See 13)	69344-09*	
13E	Lock Nut (See 13)	69343-09*	
14	Hose Connection	63418-07	
15	Hose Assembly	1178-17	
16	Deck Fitting Assembly	61300-06	C3866
17	Spray Head Assembly (Includes Part 15)	63172-07	
18	Diverter & Retainer Set	57585-07	C3858
19	Swivel Spray Aerator	70448-02	
20	Aerator	56135-02	C3851
21	Coupling Nut	24220-07	
22	"O" Ring	69013-07	C3899

● NOT AVAILABLE

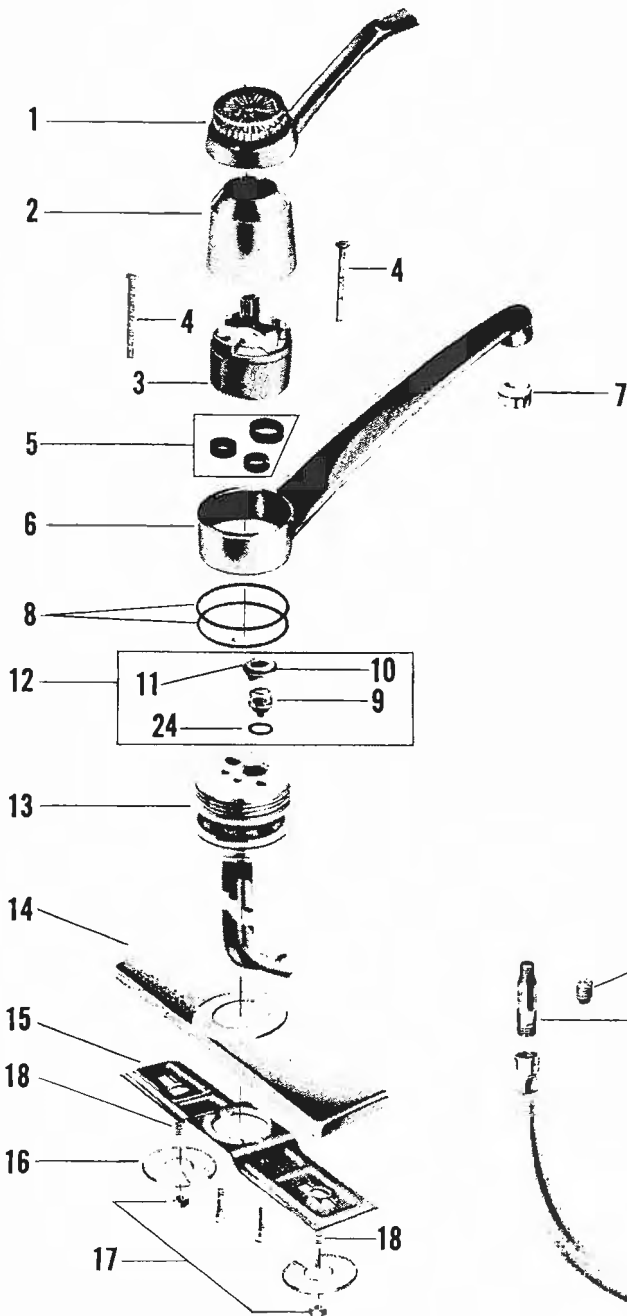
**Single Control Aquarian II
Sink Fittings**

Model Numbers
4200.028,
4200.077

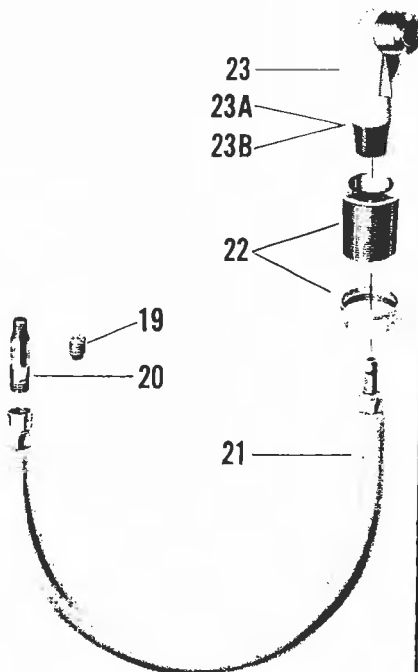


Single Control Aquarian Sink Fittings

Model Numbers 4179.016, 4179.024



no.	description	part no.	Cat. No.
1	Handle	77031-02	C3945
2	Escutcheon Cap	57627-02	C3859
3	Cartridge (4 Gal.) S/A	57864-07	C3861
4	Cartridge Screw	57613-07	
5	Cartridge Seal Set	57583-07	C3857
6	Spout S/A w/Aerator	77027-02	C3944
7	Aerator (Spout End Device)	56135-02	C3851
8	"O" Ring	69332-07	C3899
9	Diverter	69360-07*	
10	"O" Ring	57631-07	
11	Retainer	57632-07*	
12	Diverter and Retainer Set	57585-07	C3858
13	Manifold (4 gallon)	57622-07*	
14	Escutcheon	69383-06	
15	Mounting Plate	69385-09	



no.	description	part no.	Cat. No.
16	Washer, Slotted	69344-09*	
17	Nut	69343-09	
18	Carriage Bolt	57608-07*	
19	Pipe Plug	56519-09	
20	Hose Connection	63418-07	
21	Hose S/A	1178-17	
22	Locknut & Sprayholder	61300-06	C3866
23	Sprayhead S/A	63181-07	
23A	Nylon Washer	63178-07	
23B	Rubber Washer	63179-07	
24	"O" Ring	69013-07	C3898
Sub-assembly Spray & Hose S/A Parts 21 & 23		63172-07	

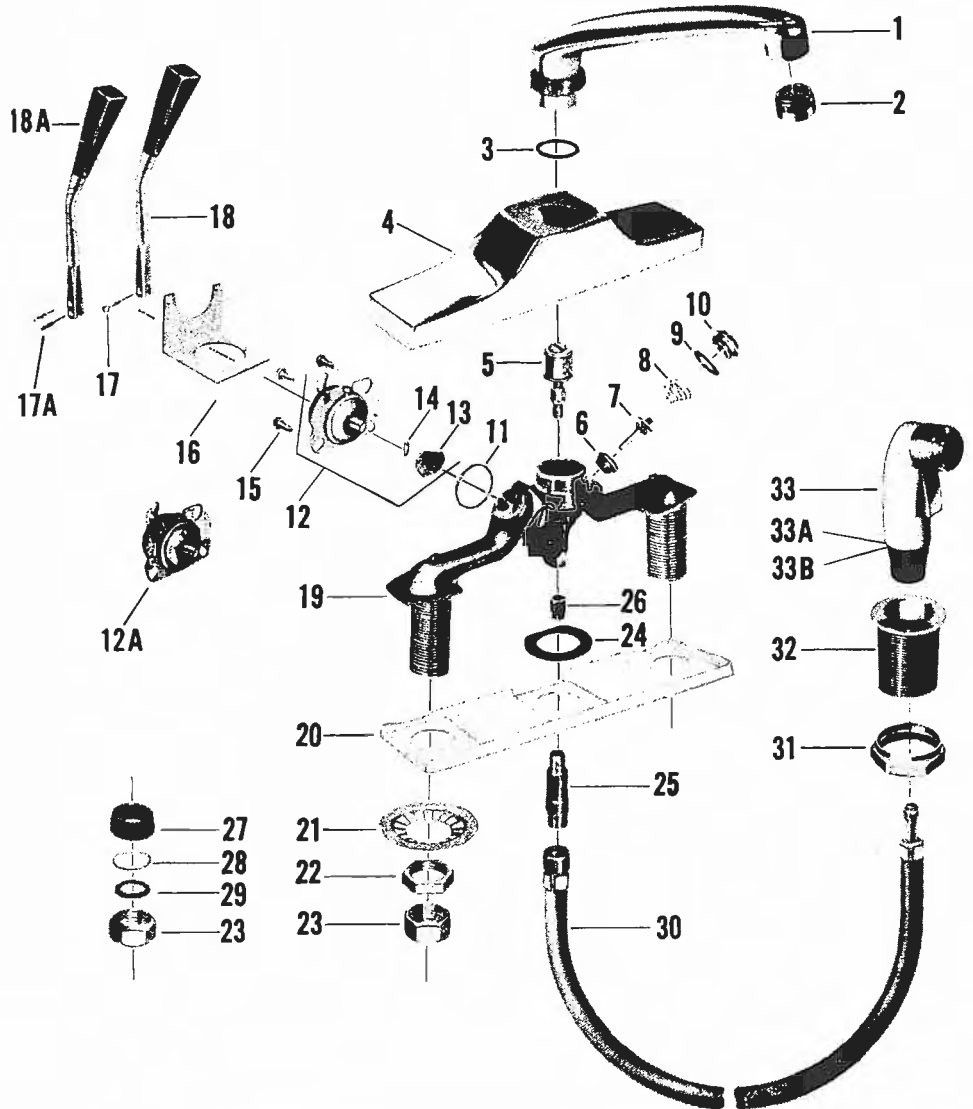
● NOT AVAILABLE

Note - One (1) each of 69360-07 Diverter w/69013-07 "O" Ring; 57632-07 Retainer & "O" Ring 57631-07 are used to make Diverter & Retainer Set 57585-07.

Two (2) each of Carriage Bolt 57608-07; Nut 69343-09; Washer 69344-09 & Retainer 57607-09 are used to make Carriage Bolt Mounting Kit 57586-07

Single Control Sink Fittings

Model Numbers
4172.011 (R 4150-1)
4172.042 (R 4155-1)



no.	description	part no.	Cat. No.
1	Spout S/A w/Aerator & "O" Ring	61011-02	
2	Aerator	56135-02	C3851
3	"O" Ring	55234-07	C3848
4	Escutcheon	61006-02	
5	Diverter Valve	12435-07	
6	Hyseal Valve Seat	12002-09	C3698
7	Hyseal Valve Stem	61428-07	C3867
8	Conical Spring	72510-07	
9	Strainer Plug Gasket	12007-07	C3700
10	Strainer Plug	12268-07	C3701
11	Control Mounting Gasket	12115-07	
12	Control S/A w/Parts 13 & 14	12375-04	
12A	Control Sub Assembly	61226-04	
13	Cam	12390-07	
14	Cam Pin	12034-07	
15	Control Mounting Screws	61020-04	
16	Rear Closure	12067-07	
17	Handle Screw	12326-07	C3871
17A	Handle Pins (2)	63154-07	
18	Control Lever S/A	12313-02	
18A	Control Lever S/A w/2 Pin Openings	61228-04	C3864

no.	description	part no.	Cat. No.
19	Body S/A w/Hyseal Valve Seat	61056-07*	
20	Faucet Mounting Gasket	61013-07	
21	Shank Washer	754-19	
22	Jamb Nut	300-27	
23	Swivel Nut	24220-07	
24	Center Washer	61014-07*	
25	Tube Connector	63418-07	
26	Pipe Plug	56519-09	
27	Slip Joint Gasket	1010-17	C3597
28	Slip Joint Washer	21391-07	
29	Slip Joint Washer	21545-07	
30	Hose S/A	1178-17	
31	Lock Nut	61300-06	C3866
32	Spray Holder		
33	Sprayhead S/A	63181-07	
33A	Nylon Washer	63178-07	
33B	Rubber Washer	63179-07	
Sub-assemblies			
	Spray & Hose S/A (Parts 30 & 33)	63172-07	
	Control & Lever S/A (Parts 12A, 17A, 18A)	61232-04	

Repair Kit #72495-07 consisting of (1) Part 3 and (2) each 6,7,8,9).

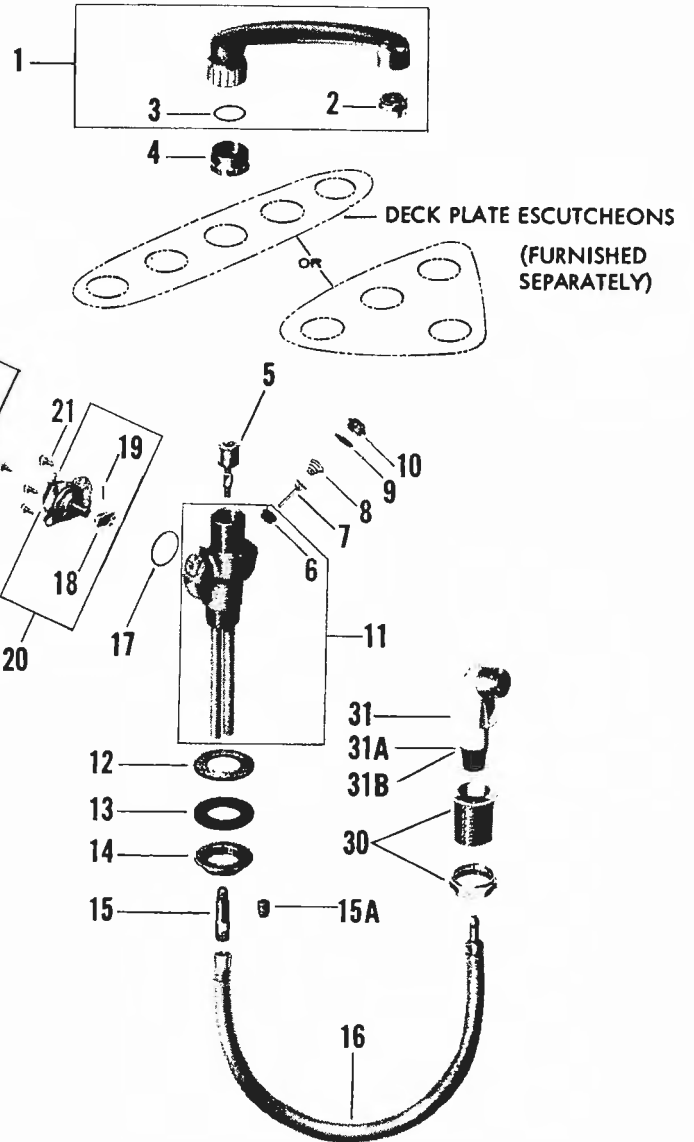
● NOT AVAILABLE

no.	description	part no.	Cat. No.
1	Spout S/A	63145-02	
2	Aerator	56135-02	C3861
3	O-Ring	55234-07	C3848
4	Escutcheon Nut	63127-04	
5	Diverter Valve	12435-07	
6	Hyseal Valve Seat	12002-09	C3698
7	Hyseal Valve Stem	61428-07	C3867
8	Conical Spring	72510-07	C3919
9	Strainer Plug Gasket	12007-07	C3700
10	Strainer Plug	12268-07	C3701
11	Body S/A	63182-07*	
12	Washer	49-17	
13	Shank Washer	63459-07	
14	Locknut	63137-07	
15	Hose Connector	63418-07	
15A	Pipe Plug	56519-09	
16	Hose S/A	1178-17	
17	Control Mounting Gasket	12115-07	
18	Cam	12390-07	
19	Cam Pin	12034-07	

Single Control Fittings for Fiesta Sink

Model Numbers

4173.019 (R 4160), 4173.027 (R 4165)



no.	description	part no.	Cat. No.
20	Control S/A	63131-04	
21	Control Mounting Screws	61020-04	
22	Closure Bracket	63149-09*	
23	Closure Seal	63151-07	
24	Screw Retainer	63185-07	
25	Closure Plate	63195-07*	
26	Screws	63152-07	
27	Hex Wrench	63186-07*	
28	Pins	63154-07	C3871
29	Control Lever	61228-04	C3864
30	Locknut & Spray Holder	61300-06	C3866
31	Sprayhead S/A	63181-07	
31A	Nylon Washer	63178-07	
31B	Rubber Washer	63179-07	
32	Closure S/A	63191-07	
	Sub-assemblies		
	Control & Lever S/A (Parts 20, 28 & 29)	63183-04	
	Spray & Hose S/A (Parts 16 & 31)	63172-07	

* NOT AVAILABLE

Repair Kit consisting of (1) part 3 and (2) each parts 6,7,8,& 9 - #72495-07

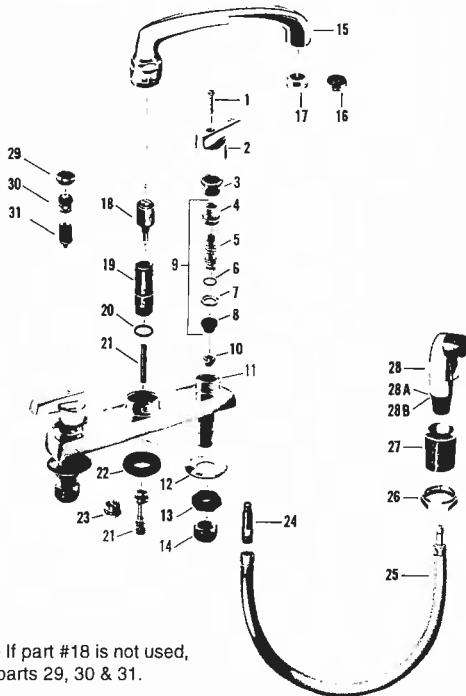
108

Top Mount Sink Fittings

Heritage Trim—Lever Handles—Aquaseal

Model Numbers

4150.017 (N 4110-1) 4152.013 (N 4112-1)



Note - If part #18 is not used, order parts 29, 30 & 31.

Repair Kit consisting of (2) each parts 9 & 10 with L.H. & R.H. Trim - #12938-09
 Repair Kit consisting of (1) each parts 9 & 10 with R.H. Trim only - #12955-09
 Repair Kit consisting of (1) each parts 9 & 10 with L.H. Trim only - #12956-09

no.	description	part no.	Cat. No.
1	Handle Screw	690-31	
2	Handle - Specify Index	64074-02	
3	Lock Nut	855-17	C3584
4	Stem Nut - R.H. Thread	72956-07	
	Stem Nut - L.H. Thread	72957-07	
5	Stem w/Swivel & Friction Ring - R.H. Thread	72952-07*	
	Stem w/Swivel & Friction Ring - L.H. Thread	72953-07*	
6	Friction Ring	246-37	C3522
7	Stop Ring	72959-07	
8	Aquaseal Diaphragm (2)	72940-07	C3925
9	Aquaseal Trim - R.H. Thread Stem	72950-17	
	Aquaseal Trim - L.H. Thread Stem	72951-17	C3927
10	Seat	Brass 862-14, Monel 863-27	C3586
11	Body	8171-02*	
12	Friction Washer	54538-09	
13	Lock Nut	300-27	
14	Coupling Nut	24220-07	
15	Spout w/End Trim & "O" Ring	8099-02	
	Spout w/Aerator & "O" Ring	8098-02	
16	End Trim	279-12	
17	Aerator	56135-02	C3851
18	Diverter	12435-07	
19	Post	1271-27	
20	"O" Ring	887-17	C3589
21	Hose Connection Tube	1155-27	
22	Gasket	1153-27	
23	Body Plug	875-17	
24	Hose Connector	63418-07	
25	Hose S/A	1178-17	
26	Lock Nut	61300-06	C3866
27	Spray Holder		
28	Spray Head S/A	63181-07	
28A	Nylon Washer (Not Shown)	63178-07	
28B	Rubber Washer (Not Shown)	63179-07	
29	Cap w/Washer	899-27	
30	Auto Spray (Upper)	696-17	
31	Auto Spray (Lower)	697-17	
Sub-assembly			
Spray & Hose S/A (Parts 25 & 28)		63172-07	

• NOT AVAILABLE

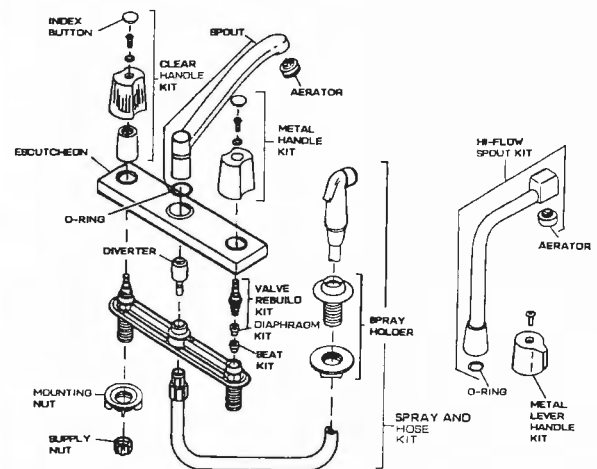


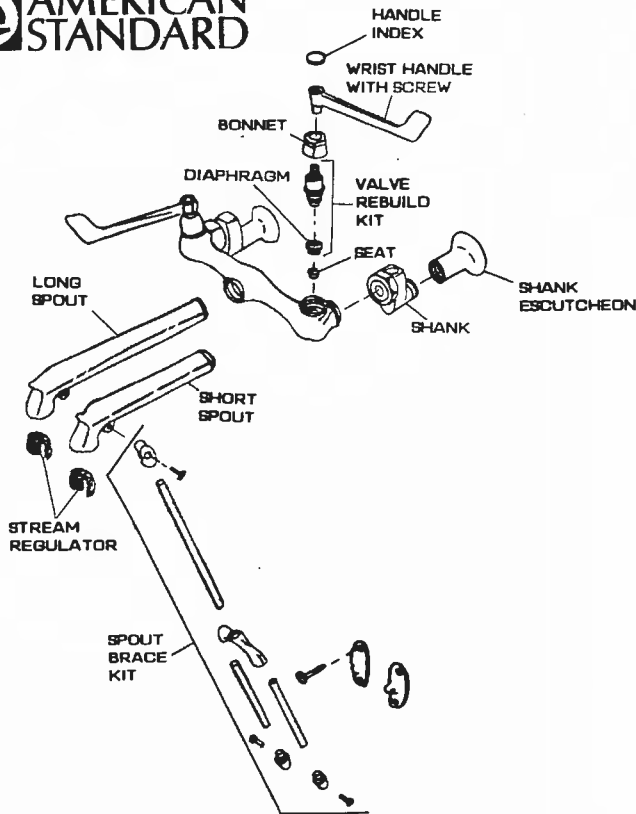
description	part no.	Cat. No.
Clear Handle Kit	44291.0020A	
Metal Handle Kit	44292.0020A	
Metal Lever Handle Kit	66271.0020A	
Index Button (Clear and metal)	68498.0070A	
"Hi-Flow" Spout Kit	66276.0020A	
Spout Kit	66277.0020A	
O-Ring	59225.0070A	C3862
Aerator	34171.0020A	
Valve Rebuild Kit-Knob handle	66287.0070A	C3890
Valve Rebuild Kit-Lever handle	66288.0070A	C3891
Diaphragm Kit	44293.0070A	C3802
Seat Kit	44257.0040A	C3800
Diverter	44264.0070A	
Supply Nut	24220.0070A	
Mounting Nut	65800.0070A	
Escutcheon	44266.0080A	
Spray And Hose Kit	61804.0070A	
Spray Holder	61806.0060A	

Cadet Kitchen Faucet

Model Numbers

4160.074, 4160.082, 4160.090, 4160.107, 4160.115, 4160.121, 4160.139, 4160.143





Wall Mount Sink Faucet

Bottom Brace

Model Numbers 8345.100, 8345.118

description	part no.
Wrist Hdl w/screw w/o index	66338.0020A
Handle Indexes	66312.0020A
Handle Bonnet	28343.0020A
Valve Rebuild Kit	66291.0070A
Diaphragm C3925	72940.0070A
Seat	66292.0040A
Shank	66426.0040A
Shank Escutcheon	25646.0020A
Short Spout - 4-3/4" lg.	66427.0020A
Long Spout - 9-5/16" lg.	66428.0020A
Spout Brace Kit for above Spouts	66370.0020A
Stream Regulator C3769	33953.0070A

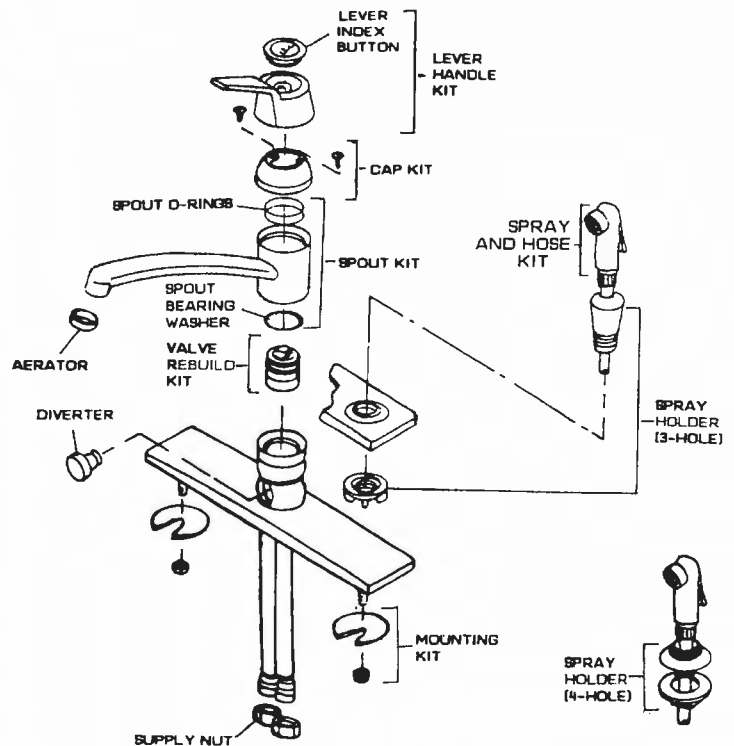
Reliant Kitchen Faucet

Model Numbers

4205.017, 4205.029, 4205.041, 4205.053

4205.074, 4205.085, 4205.148, 4205.159

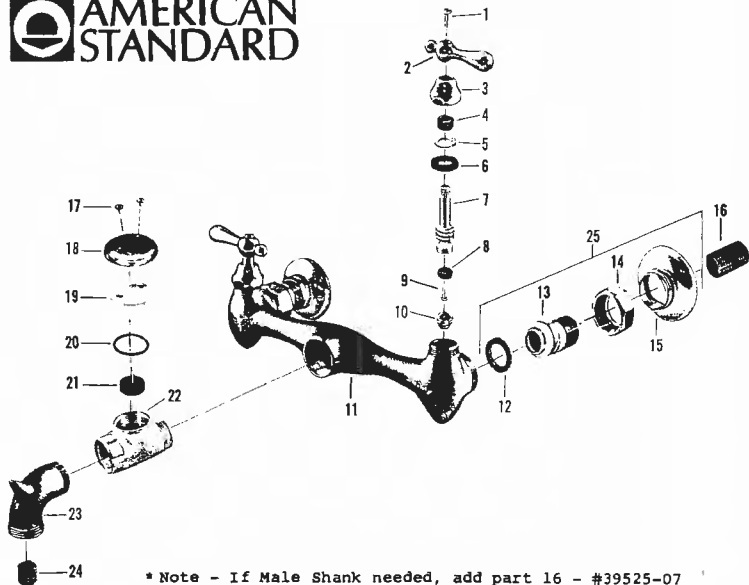
description	part no.
Lever Handle Kit	44887.0020A
Lever Index Button	44894.0020A
Cap Kit	66267.0020A
Spout Kit (O-Rings, washer, aerator)	66288.0020A
Spout O-Rings	42840.0070A
Valve Rebuild Kit C3804	44885.0070A
Mounting Kit	66262.0070A
Supply Nut	24220.0070A
Aerator	34171.0020A
Spout Bearing Washer	42839.0070A
Spray And Hose Kit	61804.0070A
Spray Holder (3-hole)	61810.0070A
Spray Holder (4-hole)	61806.0060A
Diverter	42850.0070A



934 S.E. Sixth Avenue • Portland, Oregon 97214 • (503) 235-2167 • (800) 929-5039 • Fax (503) 239-3774

Service Sink Faucets

Backflow Preventer—Renewable Seats
Model Number 8340.093 (R 5003 VB)



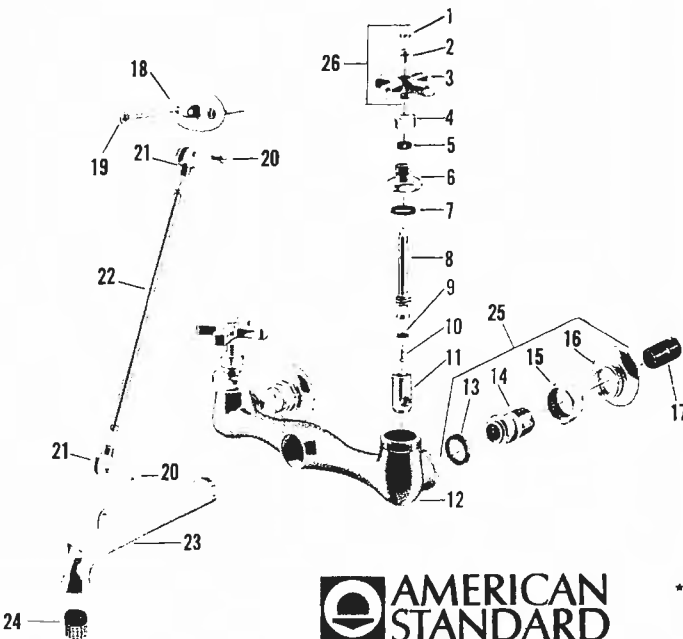
no.	description	part no.	
1	Handle Screw	173-01	C3514
2	Handle - Specify Index	1185-12	
3	Cap	21436-02	
4	Stem Packing	1311-07	C3618
5	Washer	21625-07	C3718
6	Cap Washer	1863-07	C3652
7	Stem w/washer & Screw R.H. Thread Hot Side	63381-04	C3874
	Stem w/washer & Screw L.H. Thread Cold Side	63375-04	
8	Seat Washer	441-07	C3872
9	Seat Washer Screw	169-07	C3540
10	Seat Brass 174-14, Monel 175-37		
11	Body w/seats	8086-04*	
12	Coupling Washer	456-07	
13	Female Eccentric Shank	20427-02	
14	Coupling Nut	1233-22	
15	Adjustable Flange	609-22	
16	Close Nipple*	39525-07	
17	Screws	25673-02	
18	Cover	25674-02	
19	Cap	25672-07	
20	"O" Ring	1888-07	
21	Float	25670-07	C3736
22	Backflow Preventer Body	25639-04	
23	Spout	34308-04	
24	Stream Regulator	33953-07	C3769
25	Female Shank S/A (Parts 12-13-14-15)*	14319-02	

* Note - If Male Shank needed, add part 16 - #39525-07 to S/A part 25 - #14319-02
Repair Kit consisting of (2) each parts 4 thru 10 with L.H. & R.H. Trim - #3468-09
Repair Kit consisting of (1) each parts 4 thru 10 with R.H. Trim only - #12969-09
Repair Kit consisting of (1) each parts 4 thru 10 with L.H. Trim only - #12970-09

● NOT AVAILABLE

Service Sink Faucets RE-NU

Model Number 8346.074 (R 5040T)



no.	description	part no.	
1	Button - Specify Index	1255-12	
2	Screw w/Lock Washer	264-17	
3	Handle	1186-12*	
4	Stuffing Nut	25015-02	
5	Stem Packing	1311-07	C3618
6	Stuffing Box Cap	19014-02	
7	Cap Washer	52-07	
8	Stem w/Washer & Screw - Hot or Cold	31284-04	C3496
9	Seat Washer	442-07	
10	Seat Washer Screw	169-07	
11	Re-Nu Sleeve - Hot or Cold	20651-07	
12	Body	65417-02*	
13	Coupling Washer	456-07	C3542
14	Female Shank	20427-02	
15	Coupling Nut	24186-02	
16	Adjustable Flange	609-22	
17	Close Nipple*	39525-07	
18	Brace Plate	20106-02	
19	Screw for Brace Plate	1248-01	
20	Screw for Brace Holder	170-02	
21	Brace Tube Holder	20100-02	
22	3/8" x 10" Brace Tube	20105-02	
23	Spout, Top Bracket	65692-02	
24	Stream Regulator	33953-07	C3769
25	Female Shanks S/A - (Parts 13,14,15,16)*	13758-02	
26	Handle S/A - Specify Index	9171-02	C3686

● NOT AVAILABLE

*Note: If Male Shank needed, add Close Nipple part 17 - #39525-07 to S/A part 25 - #13758-02

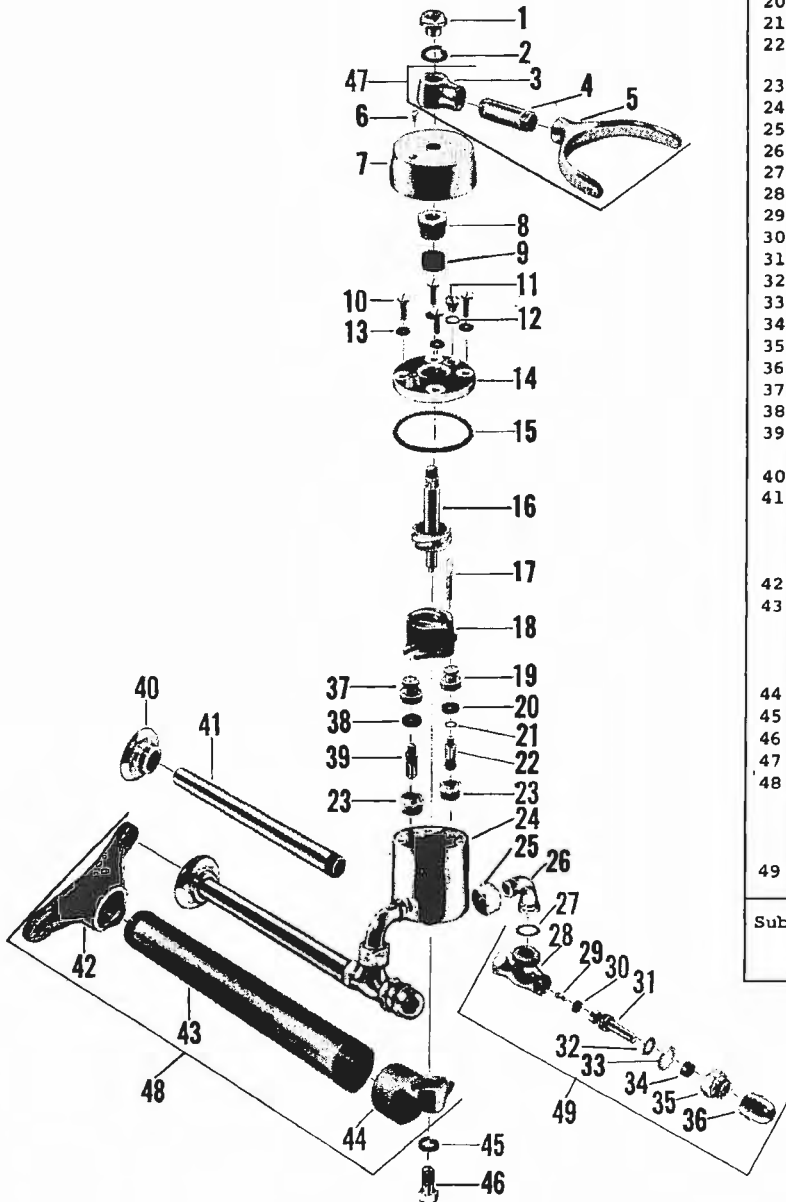
Repair Kit consisting of (2) each parts 5,7,8,& 11 - #12953-09

(Cold)
C3687
(Hot)



Knee-Action Mixing Valve

Model Number 7676.018 (HB 15076)



1	Handle Nut	65397-02	
2	Lock Washer	253-09	
3	Handle Part	65400-02*	
4	Pipe	41048-02	
5	Stirrup	37664-02*	
6	Dial Plate Screw	1173-31	
7	Dial Plate - Specify Plain	923-12	
8	Packing Nut	65497-07	
9	Packing	387-07	
10	Cap Screw	153-07	
11	Regulating Screw Cap	21121-07	C3715
12	Washer for Screw Cap	1325-07	C3620
13	Washer for Cap Screw	1326-07	C3621
14	Cap	65524-07	
15	Cap Washer	998-07	C3595
16	Stem	65659-02	
17	Regulating Screw	1147-07	
18	Yoke	65660-07	C3886
19	Cold Water Seat Washer Holder	65662-07	
20	Seat Washer - Cold	475-27	C3546
21	Brass Washer	65666-07	C3888
22	Choke - Cold	27275-07	
23	Cold Water Increase	65771-07	
24	Seat - Hot or Cold	65664-04	C3887
25	Body w/seats	8090-02*	
26	Swivel Nut	24290-02	
27	Swivel Ell	65547-02	
28	Coupling Washer	1069-07	
29	Stop Body	65544-02	
30	Seat Washer Screw	159-17	
31	Seat Washer	441-07	
32	Stem w/washer & Screw	65545-07	
33	Cap Washer	125-07	
34	Brass Washer	21625-07	C3718
35	Packing	1311-07	C3618
36	Cap	65546-02	
37	Dome Shield	19058-02	
38	Hot Seat Washer Holder	65663-07	
39	Seat Washer - Hot	44-17	C3495
40	Choke - Hot	65661-07	
41	Hot Water Decrease	65770-07	
42	Escutcheon w/screw	20385-02	
43	3/8" x 15 3/4" Pipe	43753-02*	
44	3/8" x 17 1/2" Pipe	43751-02	
45	3/8" x 20" Pipe	43752-02	
46	3/8" x 25 5/8" Pipe	43737-02	
47	Wall Bracket - Unpainted	65990-07	
48	1 1/4" x 11 1/4" Black Iron Pipe	40573-07*	
49	1 1/4" x 13 1/4" Black Iron Pipe	40571-07*	
	1 1/4" x 15 3/4" Black Iron Pipe	40572-07*	
	1 1/4" x 21 1/4" Black Iron Pipe	40574-07*	
	Mixer Bracket - Unpainted	65991-07	
	Lock Washer	434-09	
	Cap Screw	65304-02	
	Stirrup Handle S/A	11781-02	
	Support S/A w/11 1/4" Pipe - Painted White	11849-09*	
	Support S/A w/13 1/4" Pipe - Painted White	11804-09*	
	Support S/A w/15 3/4" Pipe - Painted White	11803-09	
	Support S/A w/21 1/4" Pipe - Painted White	11805-09	
	Stop S/A	11539-02	

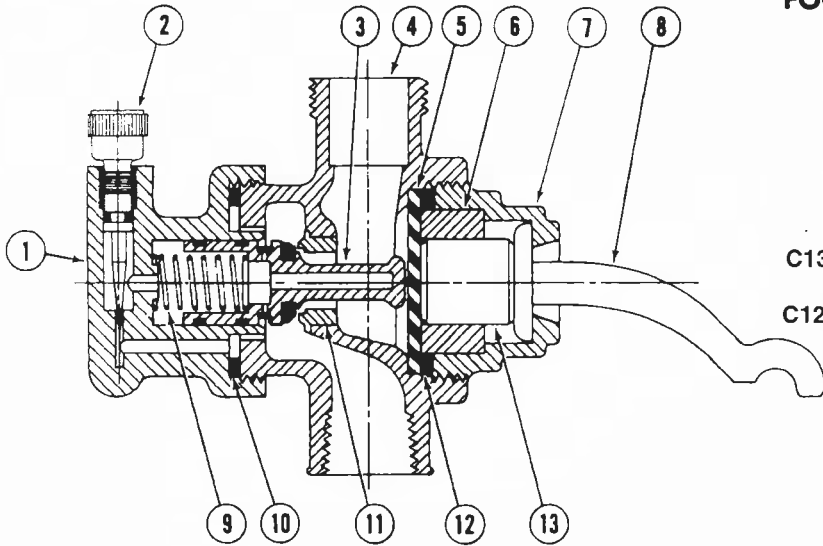
Sub-assemblies -

Mixer S/A - (Parts 1-2-6 thru 27 and Parts 37-38-39 -45 & 46) - #8091-02

* NOT AVAILABLE

112

FOOT VALVE AND FOOT VALVE LINKAGE



C6030 507-015 Foot Valve

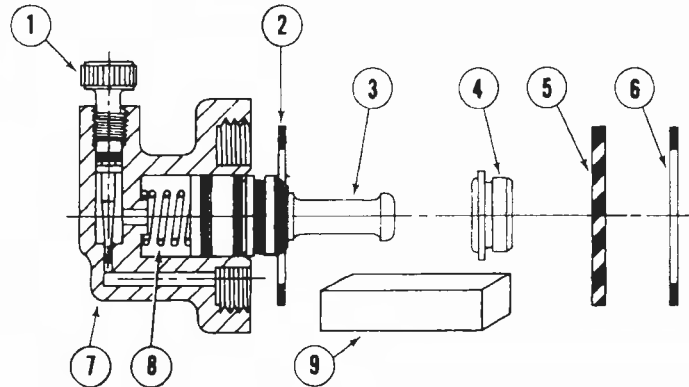
Ill. No.	No. Req.	Part No.	Description
1	1	110-095	Body — Needle Valve
2	1	S21-027	Needle Ass'y.
3	1	S64-006	Valve Plunger Ass'y.
4	1	118-021	Valve Body
5	1	125-001Y	Diaphragm
6	1	179-002	Guide
7	1	110-101	Bottom Nut
8	1	143-026	Operating Lever
9	1	135-001P	Spring
10	1	125-001BW	Gasket
11	1	117-016	Renewable Valve Seat
12	1	124-001V	Fibre Washer
13	1	119-024	Operating Plunger

C136
C128

C173 S65-001A
Foot Valve Repair Kit

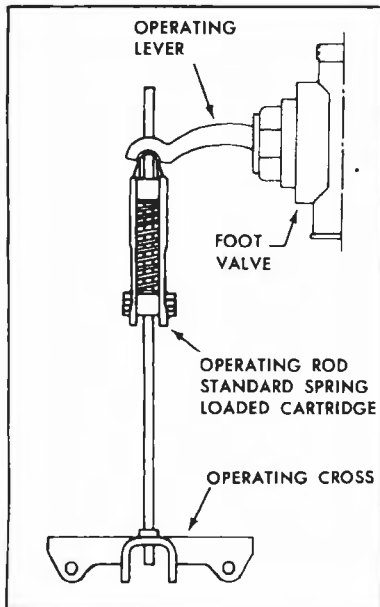
Ill. No.	No. Req.	Part No.	Description
1	1	S21-027	Needle Ass'y.
2	1	125-001BW	Gasket
3	1	S64-006	Plunger Ass'y.
4	1	117-016	Valve Seat
5	1	125-001Y	Diaphragm
6	1	124-001V	Fibre Washer
7	1	110-095	Body — Needle Valve
8	1	135-001P	Spring
9	1	130-015	Key — Valve Seat

C136



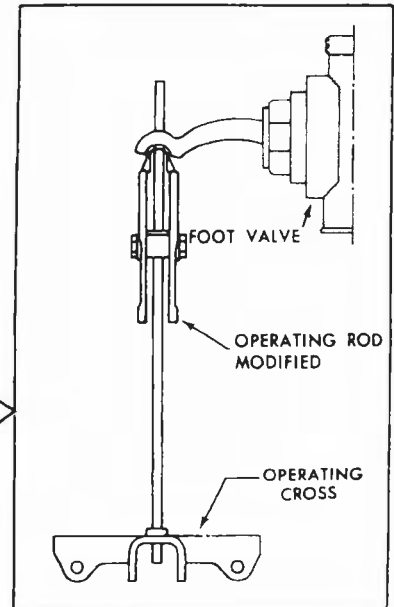
Repairs All Foot Valves Furnished Since April 1943

FOOT VALVE LINKAGE



For normal operation using the standard operating rod assembly, the spring loaded cartridge should be adjusted so there is no play in the operating lever. Care must be taken to insure that a snug fit is achieved without engaging the operating lever, or water will leak from the sprayhead.

When movement of operating rod is insufficient to open foot valve, disassemble operating rod and remove the top spacer and override spring. Reassemble operating rod as shown. Reinstall and adjust operating rod so that foot valve is completely open when foot lever is fully depressed. This prevents damage to the foot valve due to the absence of the override spring.



C171

S60-003 – Brass Valve Only

Above include 153-124 Celcon plastic check plug and strainer plug and S21-014 Celcon - C165

BRADLEY COMBINATION CHECK VALVE ASSEMBLY

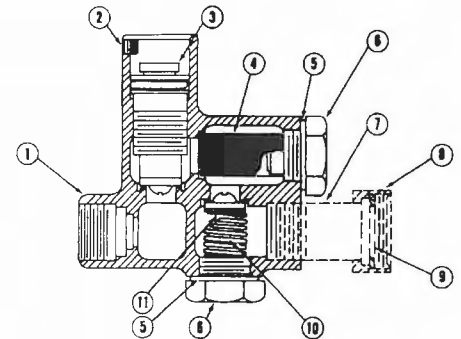
C131

C165

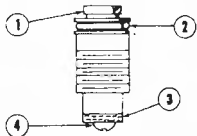
Ill. No.	No. Req.	Part No.	Description	Ill. No.	No. Req.	Part No.	Description
1	1	118-039	Valve Body — Brass	7	1	129-007	Tail Piece — Brass
1	1	118-039A	Valve Body — Plated	7	1	129-007A	Tail Piece — Plated
2	1	160-131	Set Screw	8	1	110-005	Tail Piece Nut — Brass
3	1	S21-014	Stop Ass'y. — Celcon	8	1	110-005A	Tail Piece Nut — Plated
3	1	S21-026	Stop Ass'y. — Brass	9	1	124-001AF	Tail Piece Washer
4	1	156-006	Screen	10	1	135-001AB	Spring
5	1	124-001D	Fibre Washer	11	1	S21-015	Check Ass'y.
6	2	153-124	Plug — Celcon				

C142

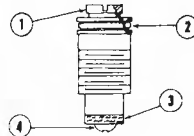
C127



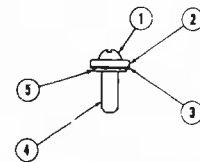
Order Pre-Packaged Repair Kit — 545-050 = C168



Stop Assembly (S21-014) Standard Celcon Core C165



Stop Assembly (S21-026) Optional Brass Core



Check Assembly (S21-015)

Ill. No.	No. Req.	Part No.	Description
1	1	119-057	Valve Core
2	1	125-001AW	"O" Ring
3	1	125-001L	Bibb Washer
4	1	160-146	Screw

Ill. No.	No. Req.	Part No.	Description
1	1	119-038	Valve Core
2	1	125-001AW	"O" Ring
3	1	125-001L	Bibb Washer
4	1	160-146	Screw

Ill. No.	No. Req.	Part No.	Description
1	1	160-146	Screw
2	1	125-001BB	Washer, Rubber
3	1	142-002AY	Washer, Metal
4	1	120-013	Valve Stem
5	1	142-002A7	Washer, Metal

BRADLEY VERNATHERM THERMOSTATIC MIXING VALVE

C157 Complete Assembly

SERVICE SUGGESTIONS FOR THE THERMOSTATIC MIXING VALVES

A common complaint of improper operation of the Vernatherm Valve is caused by the valve being installed in a reverse position, that is, the hot line is connected to the cold port and the cold connected to the hot. For ease of proper installation, a red ring is painted on the hot side of the valve.

An important factor to bear in mind is that if water pressure is available on both sides of the valve, it will always deliver water and it is impossible for it to shut off completely. Therefore if no water is delivered, this means that the valve is installed correctly (not reversed) and either the hot or cold supply is not connected or is shut off.

If the valve is in reverse, and the valve is cold (below 107°) it will deliver cold water; if it is above 107°, uncontrolled hot water only will be delivered.

Here is a complete record of what happens under every conceivable condition. Some of these are not likely to occur in the field.

Ill. No.	No. Req.	Part No.	Description
		S27-016	Vernatherm Valve, Brass
		S27-016A	Vernatherm Valve, Chrome
1	4	160-175	Screw
2	1	107-130	Cover — Brass
2	1	107-130A	Cover — Chrome
3	1	125-015	Gasket
4	1	135-008	Spring
5	1	S27-018	Main Valve Slide
6	1	S27-019	Power Element
7	1	125-015	Flip Ring
8	1	S27-118	Valve Body — Brass
8	1	S27-118A	Valve Body — Chrome

NOTE: Item 3 and Item 7 are identical.

C167

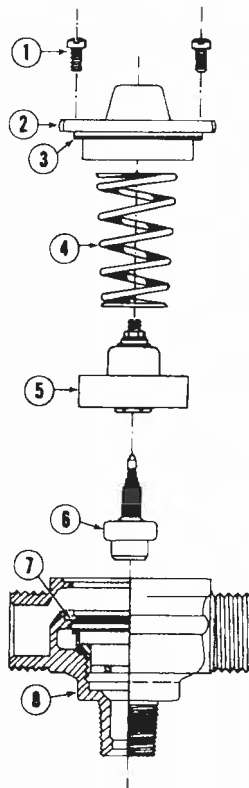
Order Pre-Packaged Repair Kit — 545-049

Instructions for Changing the Flip Ring and Power Element of the Vernatherm Thermostatic Mixing Valve

- Disassemble the Vernatherm Valve as shown, being careful not to damage the power element. If necessary, replace the element.
- If necessary, remove old flip ring (an old or worn flip ring may cause temperature fluctuation and/or water chatter) and replace with a new ring.
- Reassemble power element and valve body. Apply grease to main valve slide and gently ease into position, rotating slide so that grease is applied to flip ring. Do not force slide as this may push the flip ring from its position. To test, rotate slide and a slight drag will be felt if correctly installed.
- Reassemble remainder of valve.

S27-016S — Includes attaching parts with brass valve.

S27-016AS — Includes attaching parts with chrome valve.

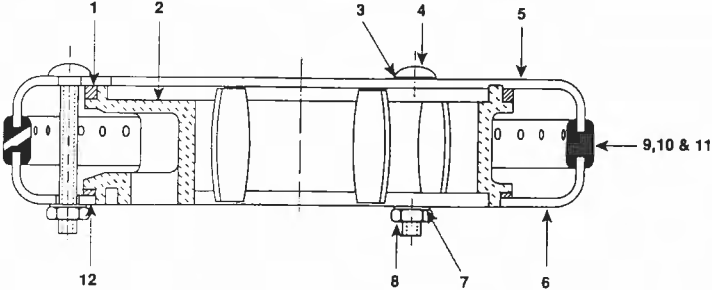


Position of Valve	Water Delivered by Hot Water Line	Water Delivered by Cold Water Line	Valve Delivers
Correct	Hot	Cold	Mixed 107° Water
Correct	Hot	No Water	Valve Shuts Off or Dribbles
Correct	No Water	Cold	Valve Shuts Off or Dribbles
Correct	Hot	Hot	Hot
Correct	Cold	Cold	Cold
Reversed	Hot	Cold	Cold if Valve is Below 107° Hot if Valve is Above 107°
Reversed	Hot	No Water	Hot
Reversed	No Water	Cold	Cold
Reversed	Hot	Hot	Hot
Reversed	Cold	Cold	Cold

114



SPRAYHEADS — Standard W/ Rubber Spray Ring Grommet



Cat. No.	Illustration	Part No.	Description
C134	1	125-001DE	Rubber Gasket
	2	139-031	Sprayhead Manifold
	3	124-001AL	Washer*
	4	160-211	Carriage Bolt*
	5	115-061	Sprayhead Top
	6	116-008	Sprayhead Bottom**
	7	124-001AT	Washer*
	8	161-025	Nut*
	9	124-020	Sprayhead Grommet — Repair Kit Does Not Include Sprayhead Grommet. Order As Separate Item.
	10	124-020A	Sprayhead Grommet —
	11	124-020B	Sprayhead Grommet —
C135	12	125-001DF	Rubber Gasket

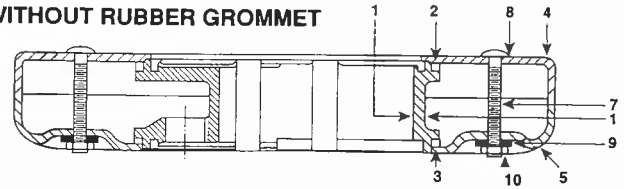
Furnished since April 1972

*Older models include 4 each.

**Not interchangeable with tops or bottoms from older models which have 4 carriage bolt holes.

ORDER PRE-PACKAGED REPAIR KIT NO. C169 (S45-051)

UNITS WITHOUT RUBBER GROMMET



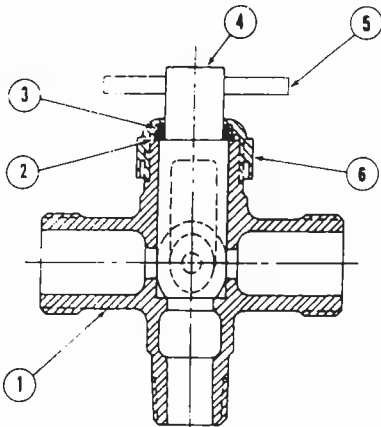
Cat. No.	Illustration	Part No.	Description
	1	139-031	Sprayhead Manifold
C134	2	125-001DE	Rubber Gasket
	3	125-001DF	Rubber Gasket
C135	4	115-059	Sprayhead Top
	5	116-004G	Sprayhead Ring
	5	116-004BA	Sprayhead Ring
	5	116-015	Sprayhead Ring
	5	116-014	Sprayhead Ring
	5	116-013	Sprayhead Ring
	5	116-011	Sprayhead Ring
	5	116-012	Sprayhead Ring
	7	160-211	Carriage Bolt
	8	124-001AL	Fiber Washer
9	124-001AT	Nylon Washer	
10	161-025	Nut	

Furnished as standard prior to April 1972 and currently for special feature Washfountain*.

ORDER PRE-PACKAGED REPAIR KIT NO. C169 (S45-051)

C156 - S01-038 Valve Only - Brass

MANUAL MIXING VALVE



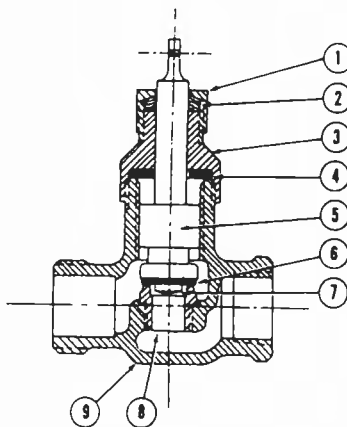
Ill. No.	No. Req.	Part No.	Description
1	1	S73-001	Mixing Valve Body
2	1	124-001BD	Fibre Washer
3	1	125-001BC	O-Ring
4	1	119-059	Mixing Valve Core
5	1	152-038	Roll Pin
6	1	121-016	Bonnet

NOTE: On valve No. S01-038A, S01-038AS plated valve body part no. S73-001A and plated bonnet No. 121-016A are furnished. Attaching parts for these valves include tail pieces, nuts and washers. Used on Foot Control and Hand Control Washfountains.

ORDER PRE-PACKAGED REPAIR KIT NO. S45-197

C158 - S02-025 Valve Only - Brass

GLOBE VOLUME CONTROL VALVE HAND CONTROL WASHFOUNTAINS

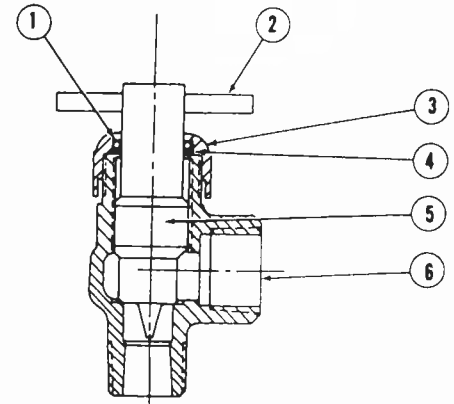


Ill. No.	No. Req.	Part No.	Description
1	1	110-002	Packing Nut
2	1	169-038	Packing
3	1	121-007	Bonnet
4	1	124-001AQ	Fibre Washer
5	1	119-036	Valve Core
6	1	125-001L	Bibb Washer
7	1	160-146	Screw
8	1	117-002	Valve Seat
9	1	118-032B	Valve Body

ORDER PRE-PACKAGED REPAIR KIT NO. S45-197

C159 - S02-045 Valve - Brass

ANGLE VOLUME CONTROL VALVE



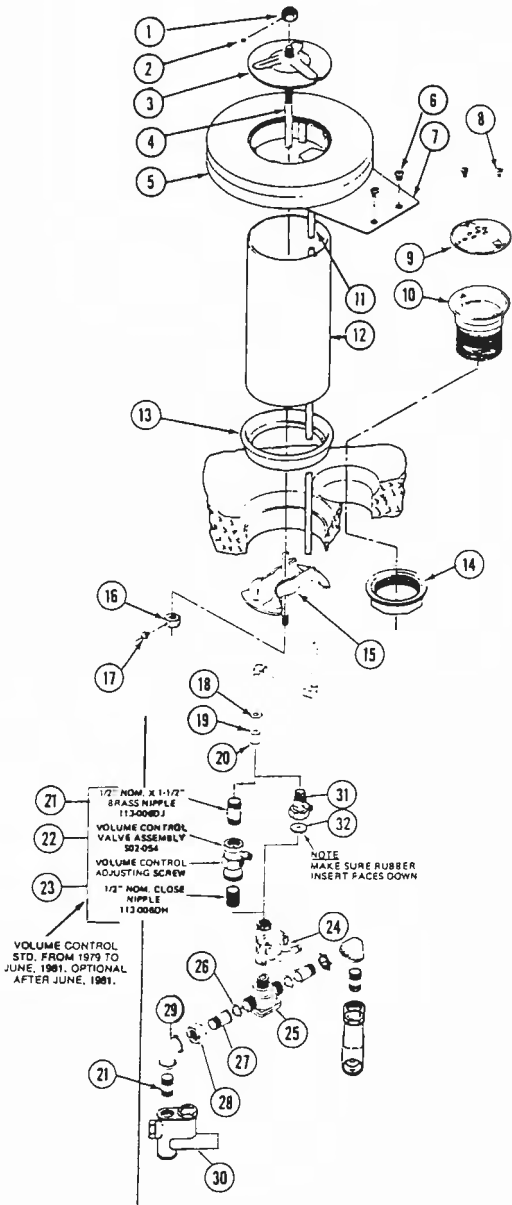
Ill. No.	No. Req.	Part No.	Description
1	1	125-001BC	O-Ring
2	1	152-038	Roll Pin
3	1	121-016	Bonnet
4	1	124-001BD	Fibre Washer
5	1	119-060	Valve Core
6	1	118-033	Valve Body

NOTE: On valve No. S02-045A, plated valve body part no. 118-032B and plated bonnet no. 121-016A are furnished. Used on Foot Control Washfountains.

ORDER PRE-PACKAGED REPAIR KIT NO. S45-198 C170

BARRIER-FREE WASHFOUNTAIN FITTING REPAIR PARTS

Types CHC-554, CHC-536, KHC-5541



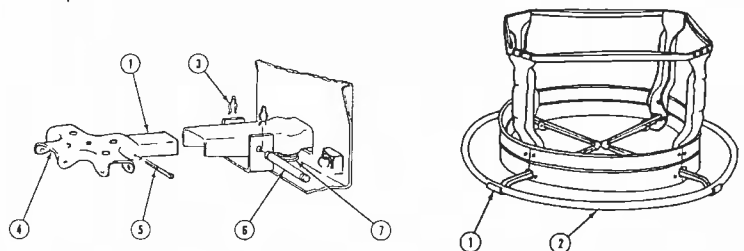
CAT NO.	ILL.	PART NO.	DESCRIPTION
	1	110-052A	Locking Nut
	2	160-093	Set Screw
	3	107-023	Cover
	4	176-045	Tie Rod
	5	S05-074	Spray Head
	5	S05-070	Spray Head
	6	160-138	Button Head Cap Screw
	7	140-252	Restraining Bracket
	7	140-253	Restraining Bracket
	7	140-254	Restraining Bracket
	8	160-042	Oval Head Screw
C154	9	173-002	Strainer
C129	10	112-015	Spud
	11	S57-054	Supply Pipe
	12	S57-049	Support Tube
C139	13	125-011	Support Tube Gasket - Cast
C138	13	125-008	Support Tube Gasket - Metal
	14	161-021	Locknut
	15	159-009	Tie Bar
	16	110-064	Tie Rod Nut
	17	160-208	Hex Head Set Screw
	18	169-945	Slip Joint Nut
	19	169-947	Friction Ring
	20	169-946	Slip Joint Washer
	21	113-006DJ	1/2" x 1-1/2" Nipple
	22	S02-054	Volume Control
	22*	S02-052	Volume Control
	23	113-006DH	1/2" Close Nipple
C160	24	S07-018	Remote Valve
	24*	S07-017	Remote Valve
C157	25	S01-116	Vernatherm
	26	124-001AF	Fibre Washer
C142	27	129-007	Tailpiece
C127	28	110-005	Tailpiece Nut
	29	169-364	1/2 IPS Elbow
C171	30	S60-003	Comb.Stop, Strainer, Check Valve
	31	S53-055	Tail Piece Assembly
	32	S88-037	Flow Control .75GPM
	32	S88-032	Flow Control 1.5 GPM
	32	S88-037	Flow Control .75 GPM

WASHFOUNTAIN FITTINGS - REPAIR PARTS

Circular Foot Control Linkage

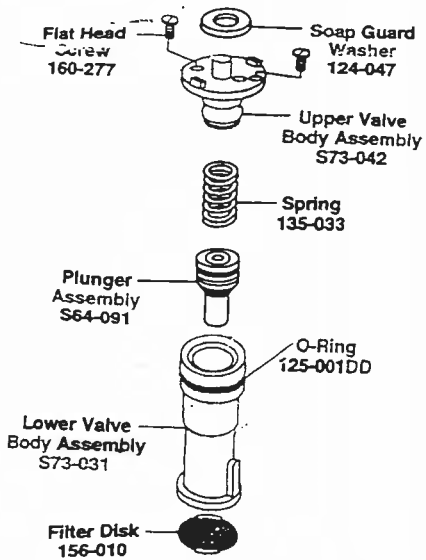
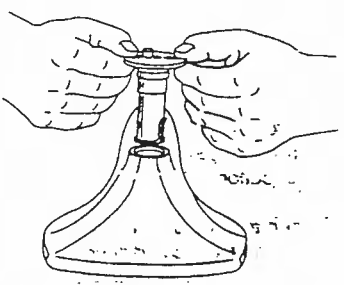
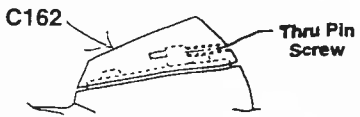
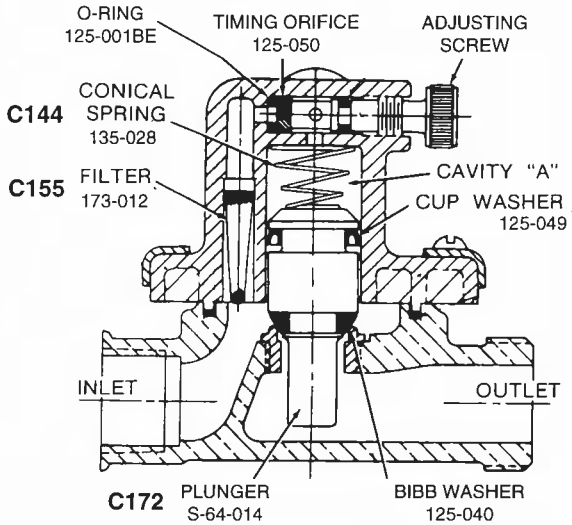
CAT NO.	ILL.	PART NO.	DESCRIPTION
C149	1	143-025	Foot Lever
	1	143-027	Foot Lever
	2	S25-016	Foot Rail Assembly
	2	S25-015	Foot Rail Assembly
C153	3	166-004	Spring Clip Fastener
	4	159-019	Operating Cross
	5	166-003	Cotter Pin
C150	6	152-026	Pivot Pin
C143	7	135-001W	Foot Lever Spring

NOTE: Items 3 through 7 are available in a pre pack poly bag.
Order part no. S45-003



REMOTE METERING VALVE

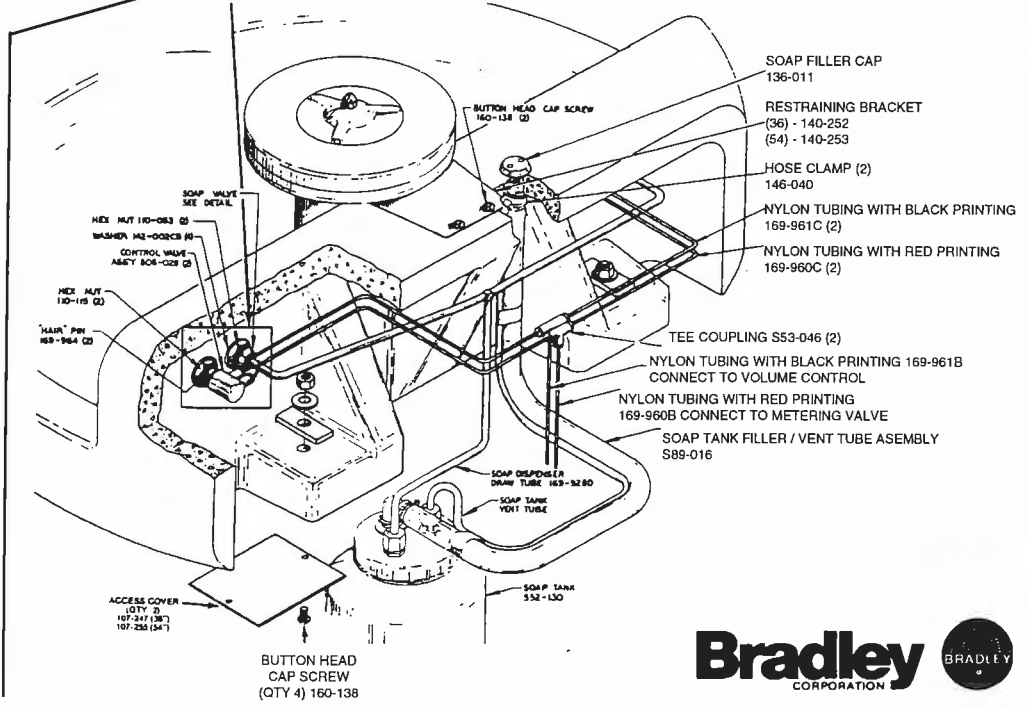
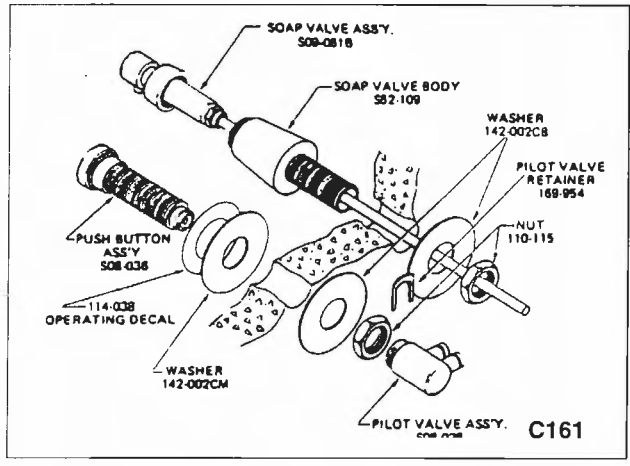
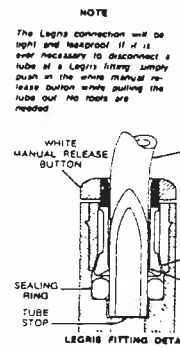
S-65-063 Kit **C175**



**90-75
BRADLEY MARK II
CARTRIDGE
COMPLETE
C176**

**BARRIER-FREE WASHFOUNTAIN BOWL
ASSEMBLIES**

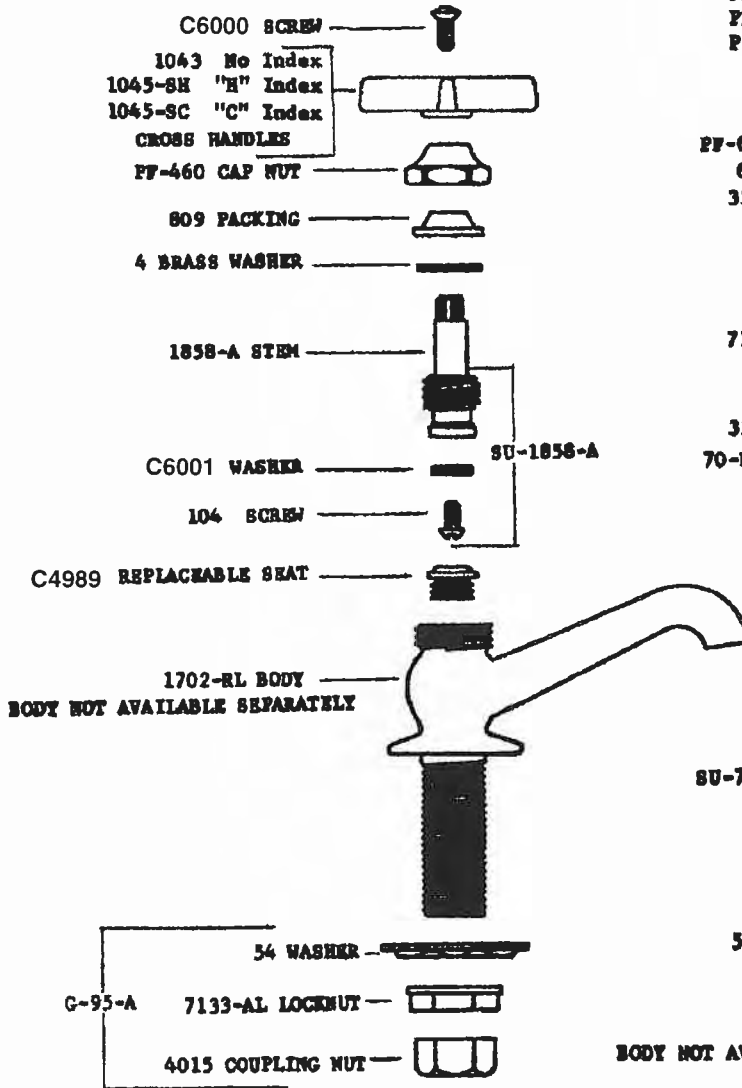
Types CHC-536, CHC-554



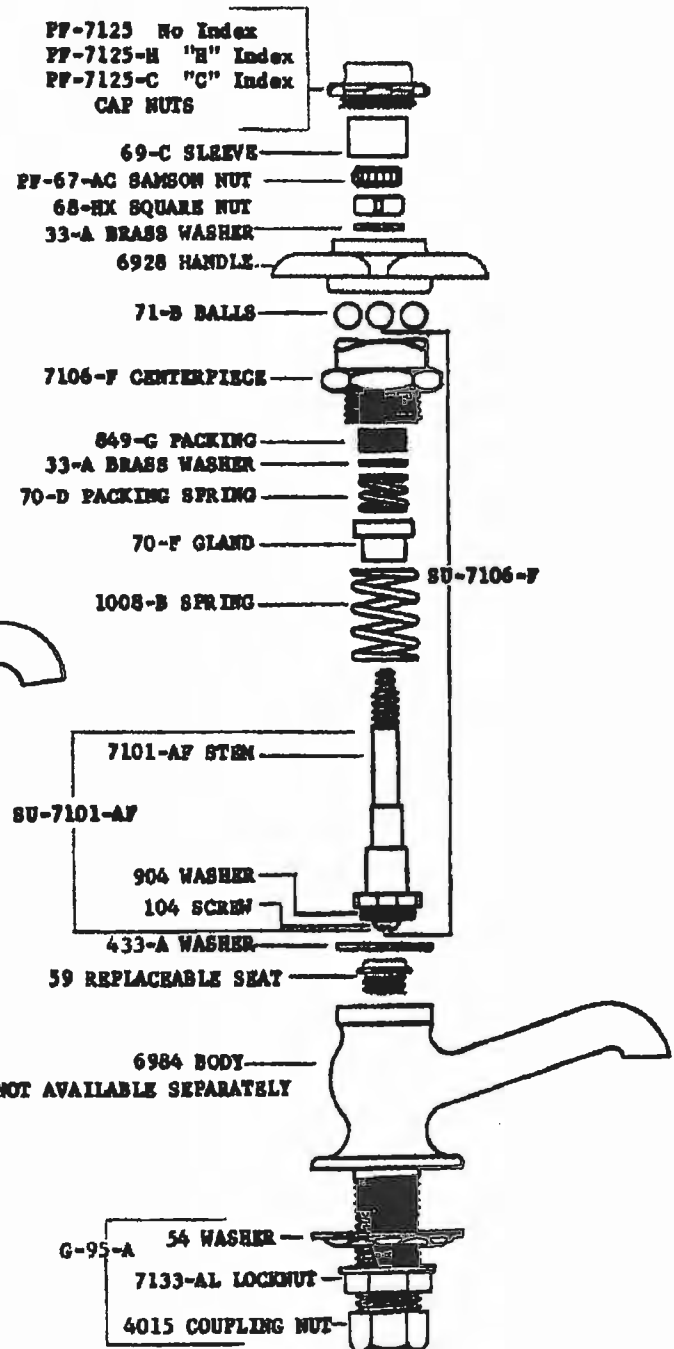
117

**Single Lavatory Faucet
Compression Basin Cock
Model Number 239**

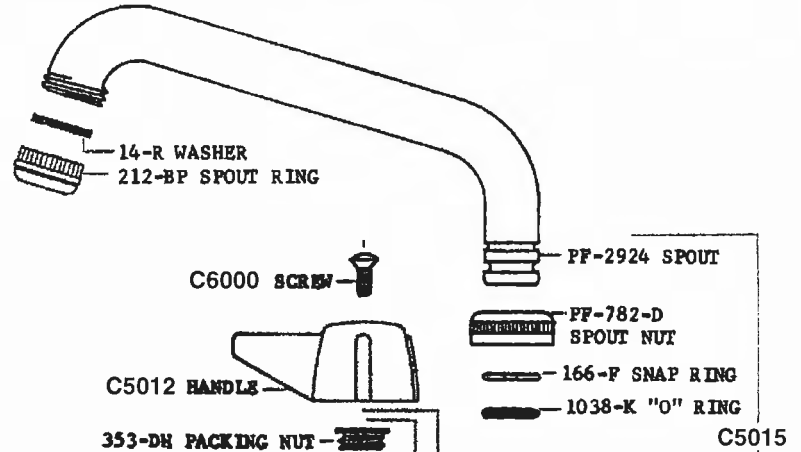
**Single Lavatory Faucet
Self-Closing Basin Cock
Model Number 255**



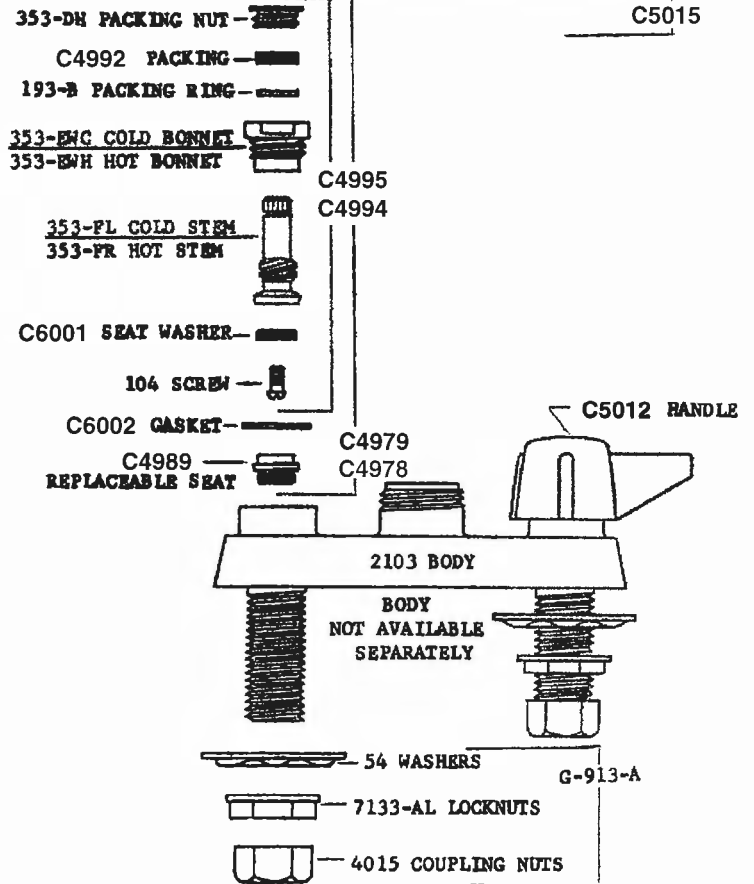
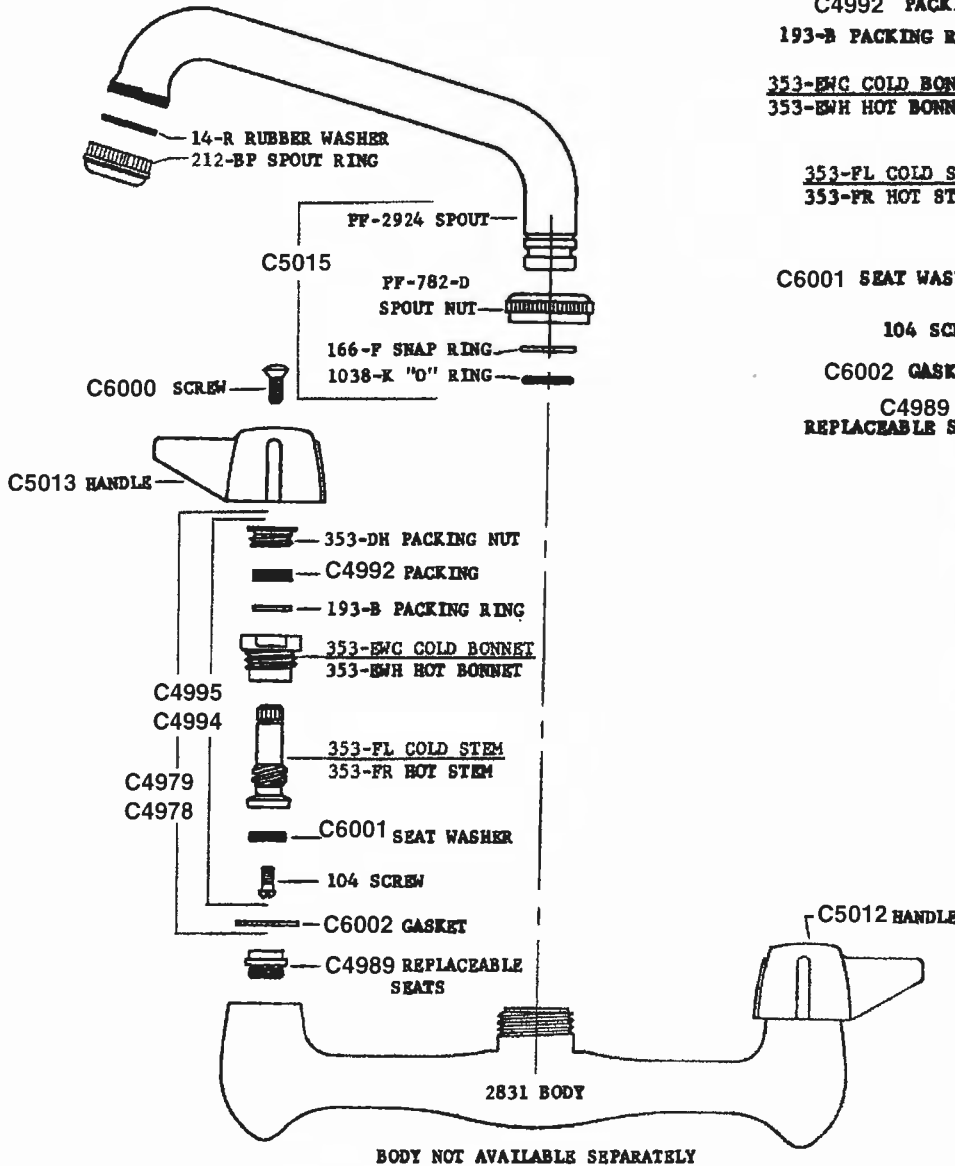
Central Brass



Laundry Faucet
 Model Number 84



Wall Type Faucet
 Model Number 47

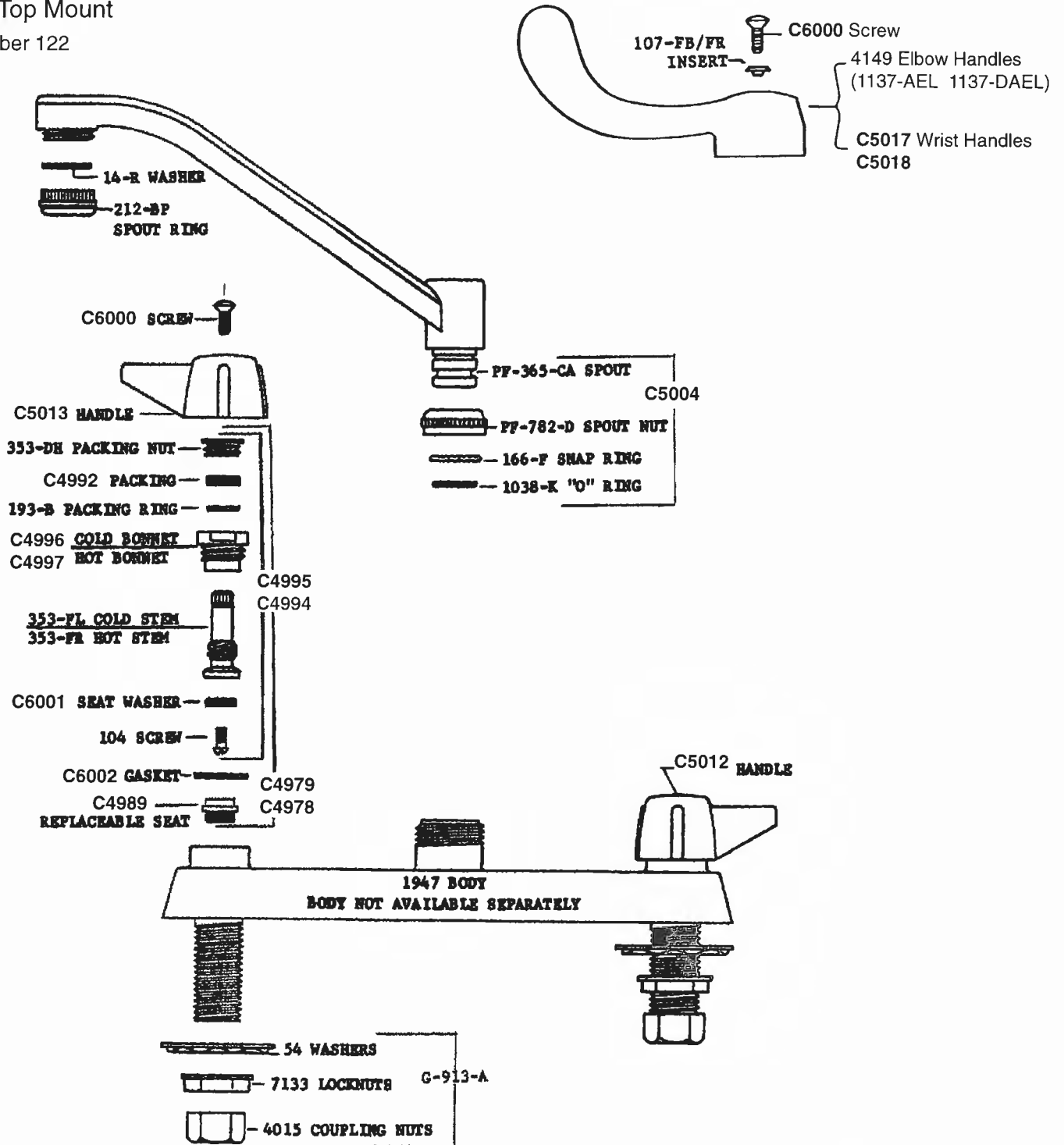


Central Brass

Central Brass

Kitchen Sink Faucet
 Exposed Top Mount
 Model Number 122

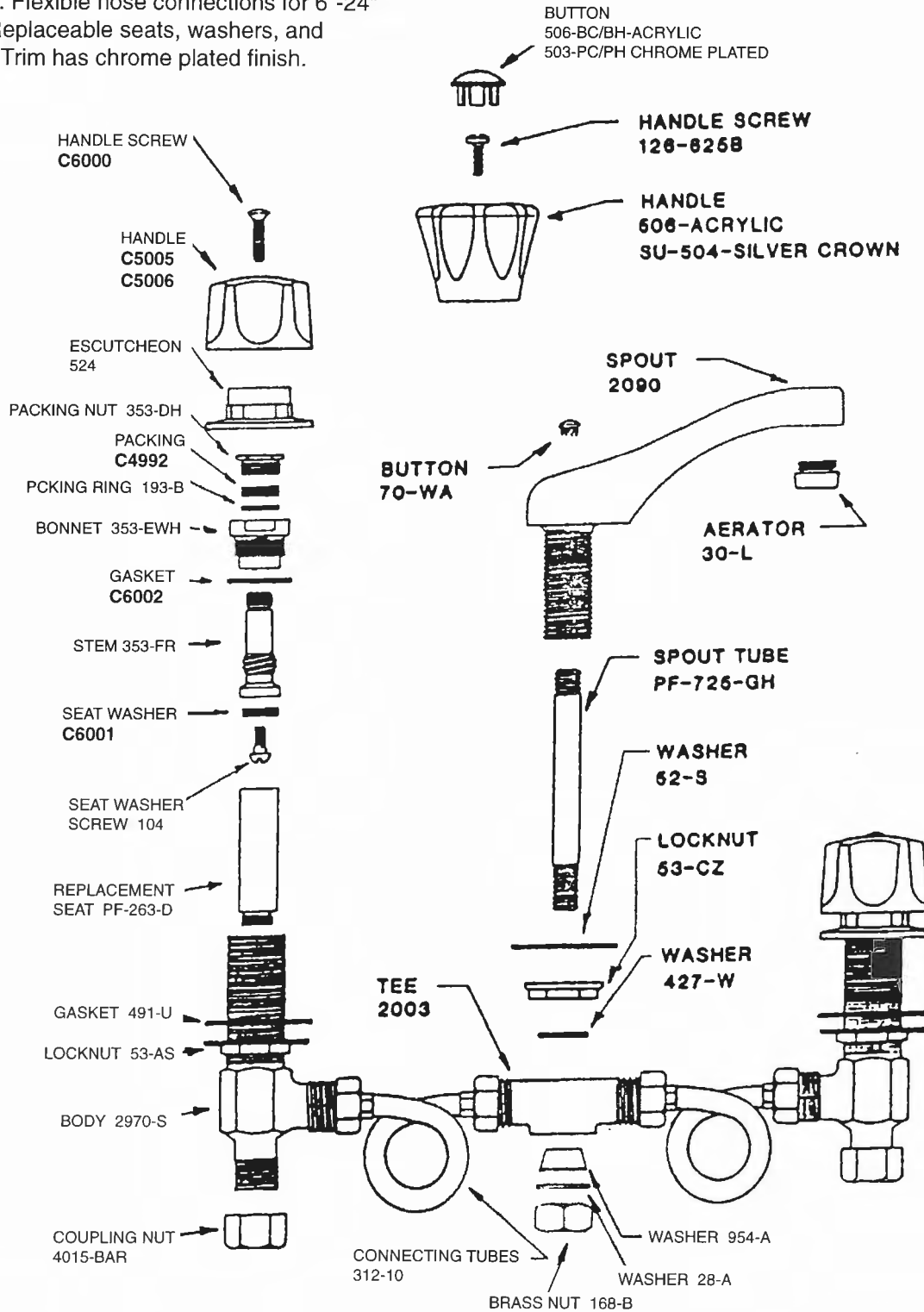
Wrist Blade Handles



Central Brass

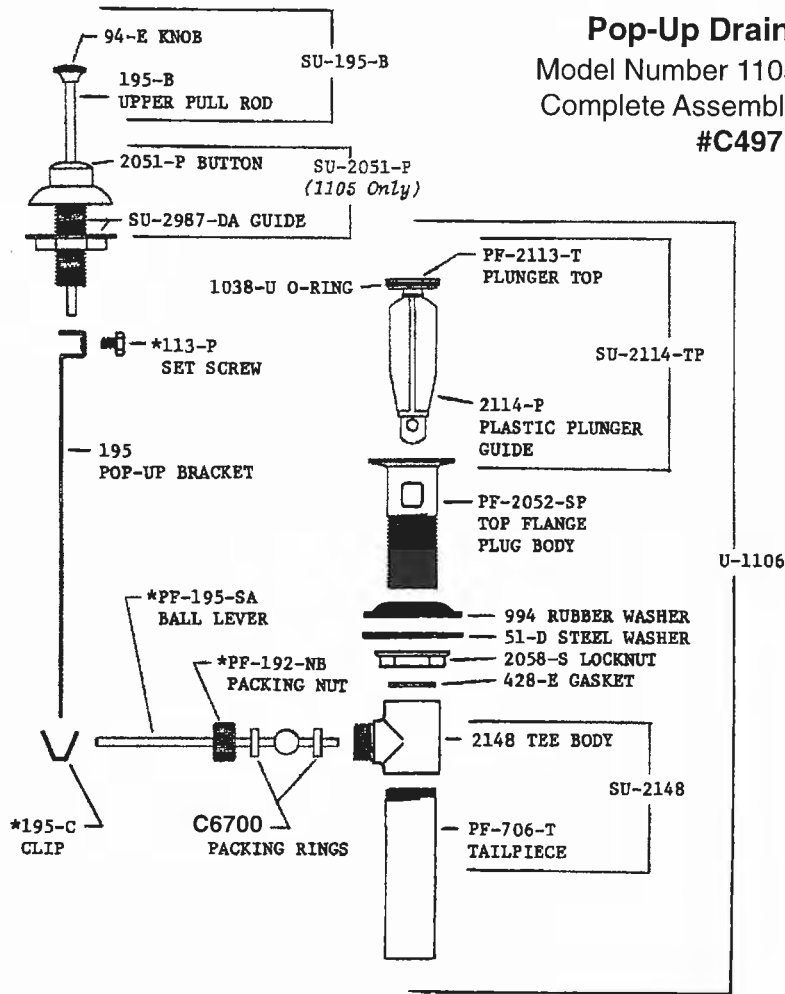
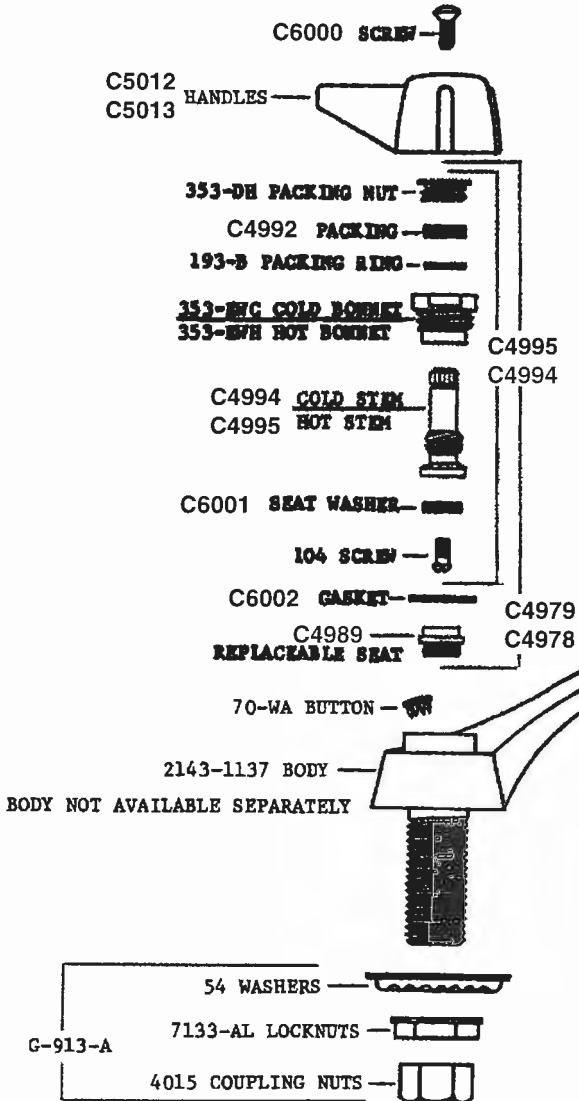
1125-A

Widespread sink faucet with cast brass body, tee, and spout. Flexible hose connections for 6"-24" centers. Replaceable seats, washers, and packings. Trim has chrome plated finish.

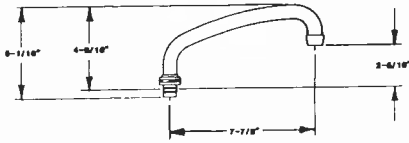


Central Brass

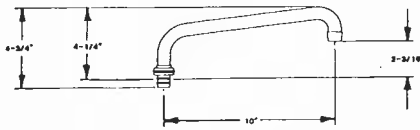
Pop-Up Drain
Model Number 1105
Complete Assembly
#C4971



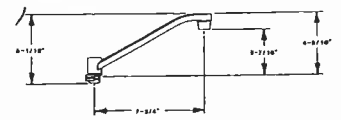
Lavatory Faucet
Model Number 1137



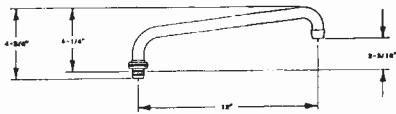
C5003
8" Swivel Tube Spout
with Aerator



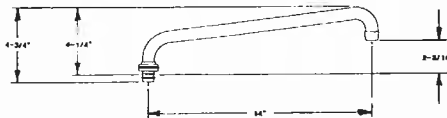
C5000
10" Swivel Tube Spout
with Aerator



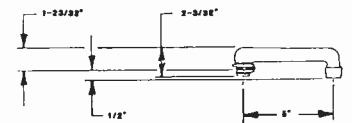
C5004
8" Brass Swivel "D" Spout
with Aerator



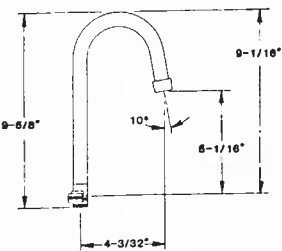
C5001
12" Swivel Tube Spout
with Aerator



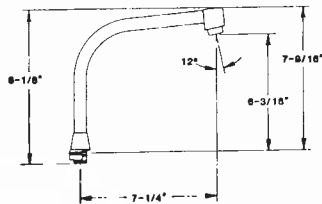
C5002
14" Swivel Tube Spout
with Aerator



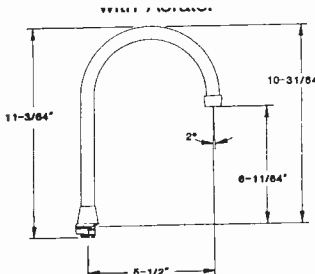
C5014
5" Cast Brass Swivel Spout
with Aerator



C4987
4 3/32" Swivel Goosneck Spout
with Aerator



C4998
7 1/4" Swivel High Rise Spout
with Aerator

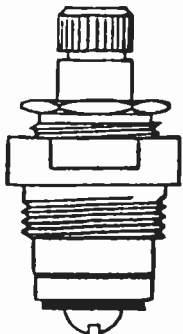


C6812
5 1/2" Swivel Goosneck Spout
with Aerator

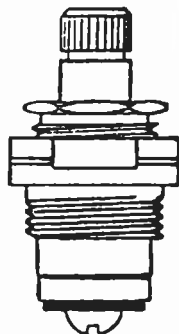


C6003
7" Cast Brass Spout
Extension Polished Chrome

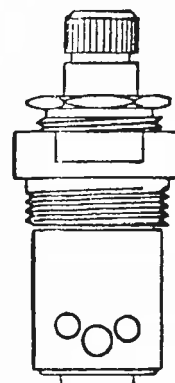
ALL STEMS ON THIS PAGE ARE EXACT SIZE.



C4995 Hot Stem
C4979 w/Seat

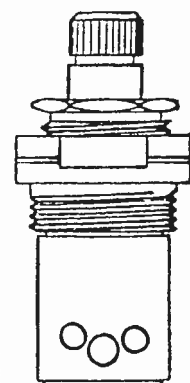


C4994 Cold Stem
C4978 w/Seat



C4997 Hot

WASHERLESS



C4996 Cold

OUTLETS AND ADAPTERS

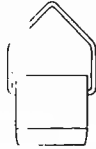
C3132
NO. E2
3/4" hose thread. Furnished in rough chromium plate.



C3133
NO. E3
2.5 GPM Softflo aerator.



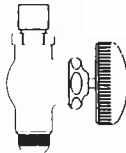
C3135
NO. E3VP
Vandal resistant 2.5 GPM Softflo aerator. Installed with spanner wrench provided. Free turning once installed.



C3134
NO. E3-2
Softflo with No. K2 adapter.



C3142
NO. E31
Spout outlet with valve and handle from 515 and 517.



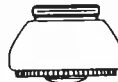
C3138
NO. E12
Softflo 2.5 GPM aerator with 13/16" - 27 male thread. For use on wide spread and centerset lavatory faucets such as 1746A, 797A, 802A, etc.



C3139
NO. E12VP
Vandal resistant 2.5 GPM Softflo aerator. Installed with spanner wrench provided. Free turning once installed.



C3140
NO. E15
13/16" - 27 spray outlet. For use on widespread and centerset lavatory faucets such as 1746A, 797A, 802A, etc.



C3141
NO. E28
Our E28 Econo-flo offers the same features as the E26 series but vandal resistant. Specify any of the above by substituting E28 in lieu of E26. (i.e. E28-5). Econo-flo is also available with adapters to fit most major brand faucets manufactured today.



C3157
NO. K1
Special adapter with 13/16" - 24 female inlet thread and 3/8" straight female outlet thread to convert Type "A" spout outlet take Group "B" spout ends.



C3158
NO. K2
Special adapter with 3/8" straight male inlet and male thread outlet to convert type "B" spout outlet to take Group "A" spout ends.



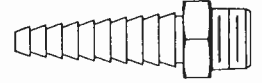
C3159
NO. K3
Special adapter with 3/4" hose thread inlet for Group "A" spout ends on outlet. Permits adding No. E3 Softflo or No. E8 anti-hose flange to spout with 3/4" hose thread outlet.



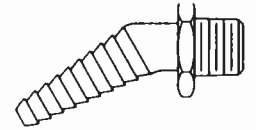
C3160
NO. K4
Special adapter to convert type "A" male thread to thread for most automatic dishwasher spout couplings.



C3136
NO. E7
10-serration laboratory hose nozzle with 3/8" straight NPSM male inlet.

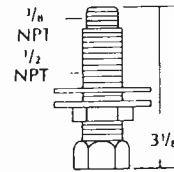


C3137
NO. E7XT
10-serration 30° angle laboratory hose nozzle with 3/8" tapered NPT male inlet.

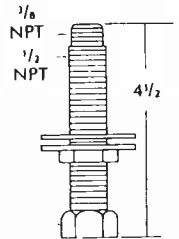


INLET SHANKS

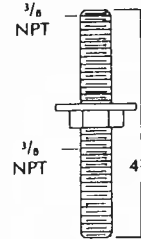
C3112
NO. 748-1K
3-1/8" long inlet shank with 3/8" NPT male outlet and 1/2" NPSM inlet with coupling nut.



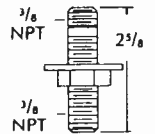
C3113
NO. 748-3K
4-1/2" long inlet shank with 3/8" NPT male outlet and 1/2" NPSM inlet with coupling nut.



C3121
NO. 957-3K
3/8" x 4-3/4" long inlet shank.

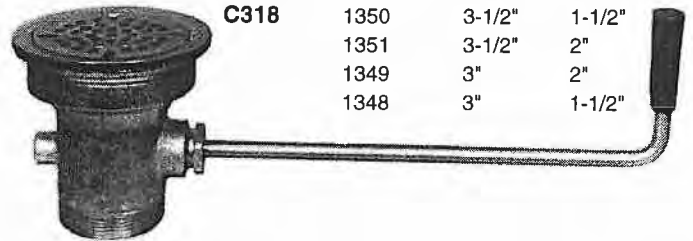


C3122
NO. 979-1K
3/8" x 2-5/8" long inlet shank with locknut and washer.



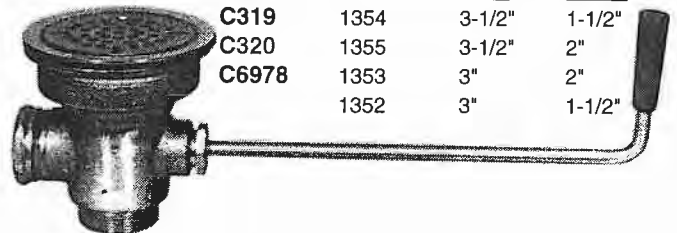
TWIST WASTE

Cat. No.	No.	Sink	Drain
C318	1350	3-1/2"	1-1/2"
	1351	3-1/2"	2"
	1349	3"	2"
	1348	3"	1-1/2"

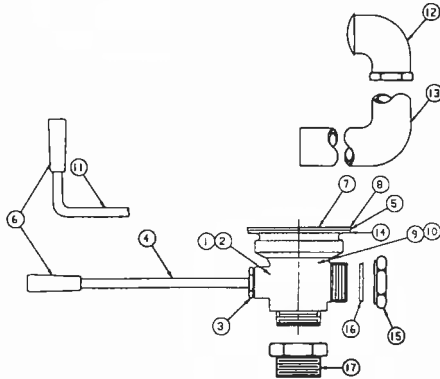


TWIST WASTE with OVERFLOW OUTLET

Cat. No.	No.	Sink	Drain
C319	1354	3-1/2"	1-1/2"
C320	1355	3-1/2"	2"
C6978	1353	3"	2"
	1352	3"	1-1/2"

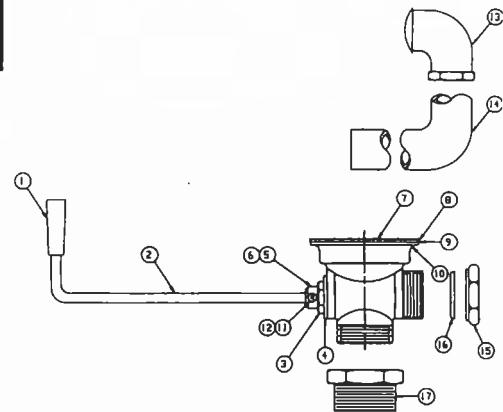


LEVER AND TWIST DRAIN PARTS

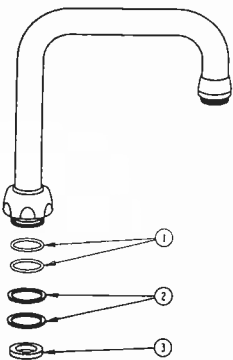


Item #	Part No.	Part No.	Description
1	1340-001	1340-001	Body Bushing Lever Handle
2	1340-002	1340-002	Packing Nut Bushing
3	1340-003	1340-003	Packing Nut
4	1340-004K	1340-004K	Lever Rod Assembly (no's 1, 2, 3, 6)
5	1340-018	1340-015	Fiber Sealing Washer
6	1340-006	1340-006	Black Phenolic Handle
7	C330	1340-013	Face Flange Basket (s/s)
8	C325	C326	Flat Strainer Plate (s/s)
9	C324	C324	Stem Valve Stopper
10	C329	C329	"O" Ring for Stem Valve Stopper
11	C323	C323	Twist Handle Assembly (no's 1, 2, 3, 6)
12	C322	C322	Overflow Head Complete (optional item)
13	C321	C321	Overflow Elbow (optional item)
14	C328	C327	Rubber Gasket for Face Flange Basket
15	1340-003	1340-016	Overflow Slip Nut (1-1/4")
16	1344-004	1340-017	Overflow Slip Washer
17	1340-019	1340-019	2" to 1-1/2" Reducer (optional item)

ROTARY DRAIN PARTS



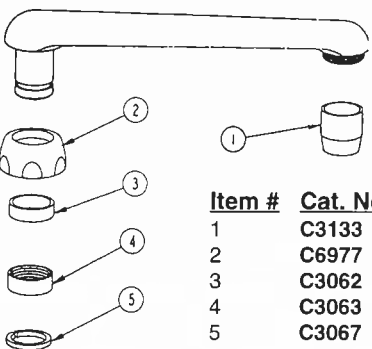
Item #	Part No.	Description
1	1340-006	Black Phenolic Handle
2	1356-001K	Rotary Handle with Grip (no's 1, 2)
3	1356-002	Packing Cap
4	1356-003	Fiber Washer
5	1356-004	Sealing "O" Ring
6	1356-005	Drain Rotor
7	C326	Flat Strainer Plate (s/s)
8	1340-013	Face Flange Basket (s/s)
9	1340-015	Fiber Sealing Washer
10	C327	Rubber Gasket for Face Flange Basket
11	1356-006	Handle Screw (s/s)
12	1356-007	Handle Nut (s/s)
13	C322	Overflow Head Complete (optional item)
14	C321	Overflow Elbow (optional item)
15	1344-003	Overflow Slip Nut (1-1/4")
16	1344-004	Overflow Slip Washer
17	1340-019	2" to 1-1/2" Reducer (optional item)



SWING SPOUT
C3128 Complete Spout

Item #	Cat. No	Part No.	Description
1	C2399	50-35	O-Ring (2)
2	C3079	50-36	Washer (2)
3		340-004	Celcon Washer

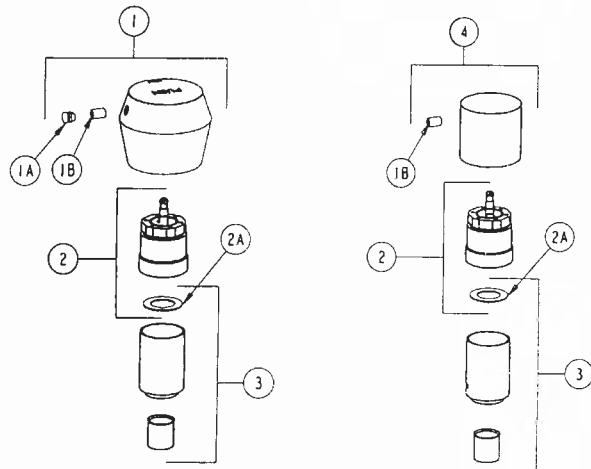
NOTE: Use #2 for Swing Spout and discard #3.
For Rigid Spout use #3 and discard #2.



SWING SPOUT

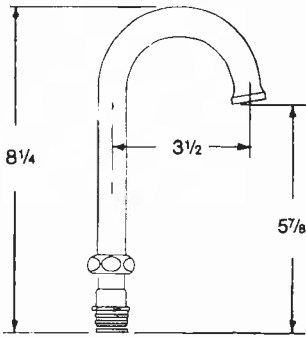
Item #	Cat. No	Part No.	Description
1	C3133	E3	Spout End Assm.
2	C6977	1100-208	Spout Nut
3	C3062	1-004	Spout Gland
4	C3063	1-006	Spout Packing
5	C3067	1-26	Split Ring

MVP METERING VALVE



Item #	Cat. No	Part No.	Description
1		665	Handle specify H, C, Push
1A		665-209	Button Neutral
1B		665-116	Set Screw
2	C3109	665-190K	Actuator Assembly
2A		665-011	Cap Washer
3	C3111	671X	Unit See Sheet for Parts
4		669	Handle Specify H, C, Push

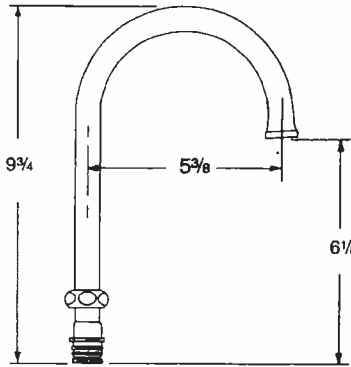
934 S.E. Sixth Avenue • Portland, Oregon 97214 • (503) 235-2167 • (800) 929-5039 • Fax (503) 239-3774



GN-1. 1 1/16" O.D. short gooseneck spout with plain outlet.

C3144 GN-1A. Same as GN-1 except with outlet to take Group A spout ends.

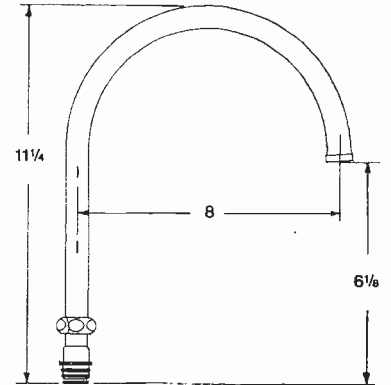
GN-1B. Same as GN-1 except with outlet adapter to take Group B spout ends.



GN-2. 1 1/16" O.D. tall gooseneck spout with plain outlet.

C3149 GN-2A. Same as GN-2 except with outlet to take Group A spout ends.

C3150 GN-2B. Same as GN-2 except with outlet adapter to take Group B spout ends.



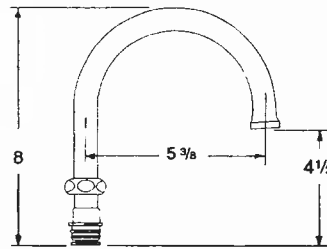
GN-8. 1 1/16" O.D. tall gooseneck spout; with plain outlet and 8" diameter bend.

C3152 GN-8A. Same as GN-8 except with outlet to take Group A spout ends.

GN-8B. Same as GN-8 except with outlet adapter to take Group B spout ends.

GN-2A AND GN-2B SPECIAL HEIGHT RIGID/SWING CONVERTIBLE GOOSENECK SPOUTS

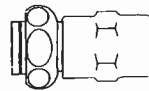
C3146 GN-2A-H8. 8" tall gooseneck spout with outlet adapter to take Group A spout ends.



All offset supply arms shown below are polished chromium plated. All can also be furnished rough chromium plated.

No.	Description	3-3/8" Bodies	8" Bodies
No. G	3/8" centers	4 1/8"	8 3/4"
No. H	2 1/2" centers	8 3/8"	13"
No. R	2 1/2" centers-stop arm	8 3/8"	13"
No. GC	3/8" centers	4 1/8"	8 3/4"

C3125 No. BA-1. Faucet outlet body adapter with 1/2" I.P.S. female outlet. Polished chromium plated.



C3126 No. BA-2. Faucet outlet adapter with 3/8" I.P.S. female outlet. Polished chromium plated.



C3127 No. BA-3. Same BA-2 except with 1/2" I.P.S. female outlet.

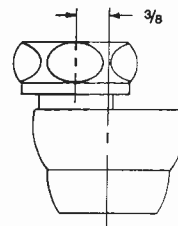
C3170 No. SA-1. Straight spout inlet adapter with 1/2" I.P.S. female inlet. Polished chromium plated.



C3171 No. SA-3. Same as SA-1 except 3/8" I.P.S. female inlet.

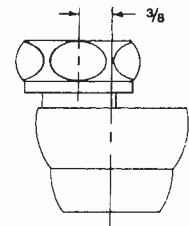


No. SA-2. 90° angle spout inlet adapter with 1/2" I.P.S. female inlet. Polished chromium plated.

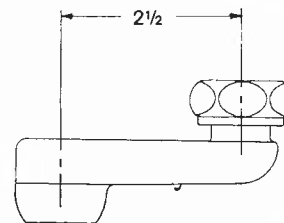


C3143

No. G. 3/8" offset with 1/2" I.P.S. female inlet.

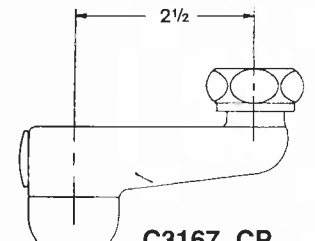


No. GC. 3/8" offset with 1/2" I.P.S. female inlet and integral check.



**C3155 CP
C3156 RCF**

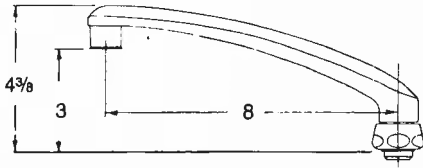
No. H. 2 1/2" offset with 1/2" I.P.S. female inlet.



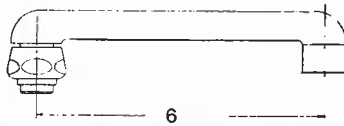
**C3167 CP
C3168 RCF**

No. R. 2 1/2" offset with built-in shut-off stop and 1/2" I.P.S. female inlet.

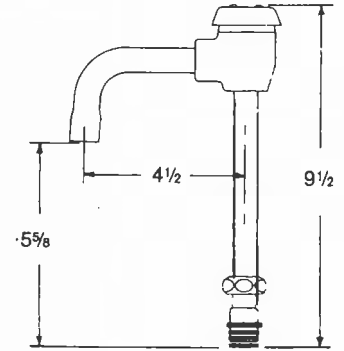
CHICAGO FAUCETS
THE SYMBOL OF QUALITY



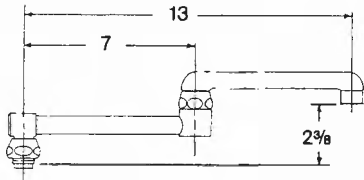
C3163
No. L-8. 8" Swinging spout, polished chromium plated finish only



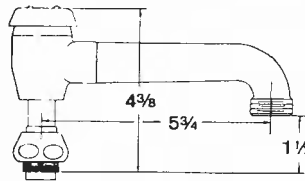
C3169
No. S-6. 6" Swinging spout. Polished chromium plated. Also furnished in rough chromium plate.



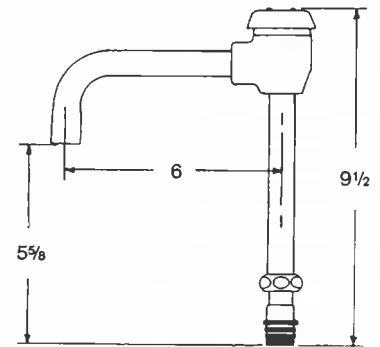
C3145
No. GN-1B-VB. Rigid/swing convertible gooseneck spout with vacuum breaker. Polished chromium plated only.



C3129
No. DJ-13. Double-jointed spout. Polished chromium plated. Also furnished in rough chromium plate. Specify finish on order.

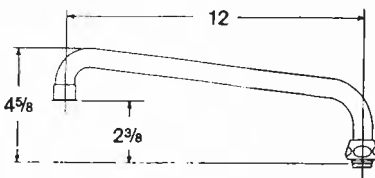


C3161
No. L5-VB. Swinging spout with cast brass outlet spout member with integral 3/4" hose thread outlet. Polished chromium plated. Also furnished in rough chromium plate.

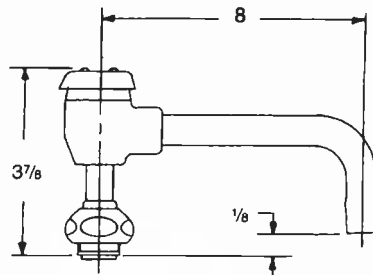


C3151
No. GN-2B-VB. Rigid/swing convertible gooseneck spout with vacuum breaker. Polished chromium plated only.

C3131
No. DJ-18. Double-jointed spout. Polished chromium plated. Also furnished in rough chromium plate. Specify finish on order.

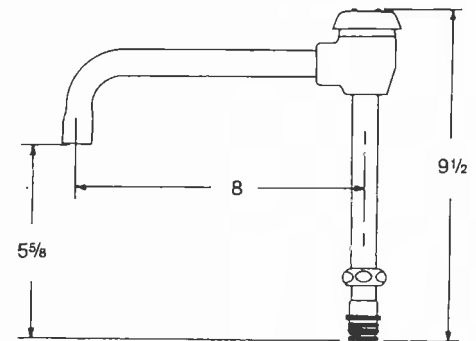


C3165
No. L-12. 12" Swinging spout, polished chromium plated finish only.



No. L8B-VB. Swinging spout with vacuum breaker. Polished chromium plated. Also furnished in rough chromium plate with 3/4" hose thread outlet, when specified.

C3166
No. L-15. 15" Swinging spout, polished chromium plated finish only.



C3153
No. GN-8B-VB. Rigid/swing convertible gooseneck spout with vacuum breaker. Polished chromium plated only.

934 S.E. Sixth Avenue • Portland, Oregon 97214 • (503) 235-2167 • (800) 929-5039 • Fax (503) 239-3774

Quaturn Operating Units

Slow Compression Operating Units



**CHICAGO
FAUCETS** 
THE SYMBOL OF QUALITY



ALL COMPLETE
NEW STEM UNITS
SHIPPED WILL BE
"XT" STYLE

Exposed Cap

No. **C3071**
Right Hand Unit
No. **C3071**
Left Hand Unit

Concealed Cap

No. **C3101**
Left Hand Unit
No. **C3102**
Right Hand Unit

Exposed Cap

No. **C3082**
Left Hand Unit
No. **C3083**
Right Hand Unit

Concealed Cap

No. **C3085**
Left Hand Unit
No. **C3086**
Right Hand Unit

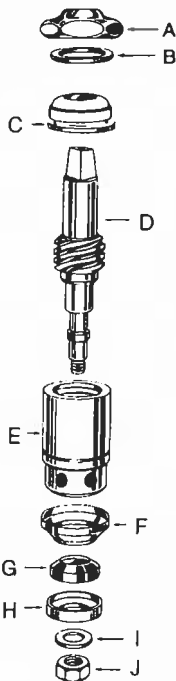
Quaturn Operating Units open and close with a quarter turn. Exposed cap faucets would include Nos. 444, 305, 700, etc., while concealed caps would be found on faucets such as Nos. 746A, 404A, 200, etc.

Slow Compression Operating Units are used where finer adjustment of water temperature and volume is required such as for shower fittings and laboratory fittings No. 1749-8 and 926, etc. Slow compression units require approximately one full turn to open and close completely.

Note that left hand units are used on both hot and cold water sides when handles such as Nos. 633, 635, 500, 950, 2000 or 204 are used. Right and left units are used with lever handles Nos. 369, 1000, 317 and 319.

PARTS LIST

Those parts listed in the "Description" column below that are marked with an asterisk (*) are parts that are recommended for replacement when renewing these operating units. Other parts not so marked may require replacement depending on the amount of wear they have received and their condition when examined.



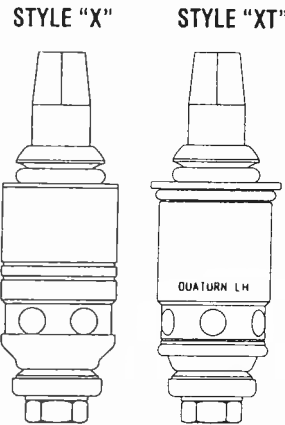
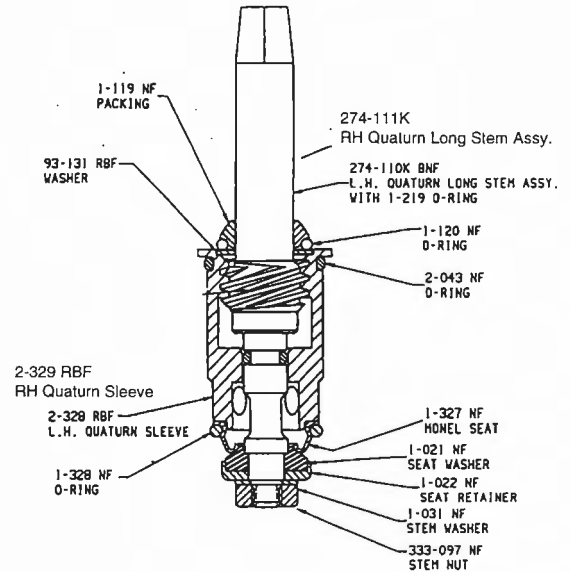
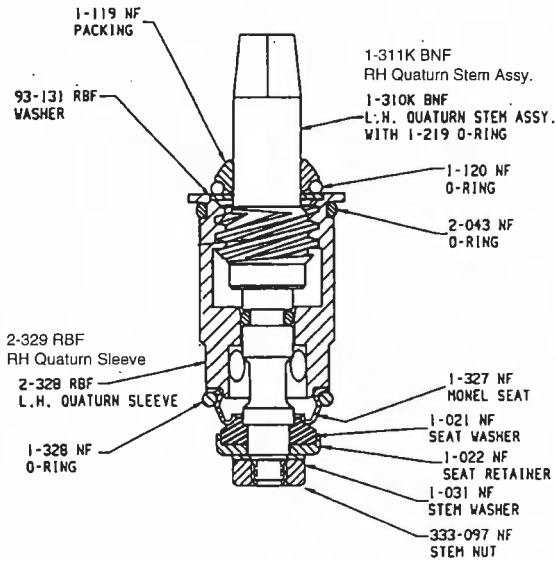
Description	Quaturn Operating Units				Slow Compression Operating Units			
	Exposed Cap		Concealed Cap		Exposed Cap		Concealed Cap	
	C3071 (Right Hand)	C3072 (Left Hand)	C3101	C3102	C3082	C3083	C3085	C3086
A Cap	C3074	C3074	C6047	C6047	C3074	C3074	C6047	C6047
B Gasket*	C3070	C3070	C3070	C3070	C3070	C3070	C3070	C3070
C Packing Assy*	C3073	C3073	C3073	C3073	C3073	C3073	C3073	C3073
D Stem	1-111K	1-110K	274-10K	274-11K	1-114K	1-115K	274-12K	274-15K
E Sleeve (Note #1)	1-29	1-28	1-28	1-29	217-2	217-3	217-2	217-3
F Seat*	C3068	C3068	C3068	C3068	C3068	C3068	C3068	C3068
G Washer*	C3065	C3065	C3065	C3065	C3065	C3065	C3065	C3065
H Relainer	C3066	C3066	C3066	C3066	C3066	C3066	C3066	C3066
I Washer	C3069	C3069	C3069	C3069	C3069	C3069	C3069	C3069
J Nut	C6041	C6041	C6041	C6041	C6041	C6041	C6041	C6041

Note #1—Units can be identified as left or right hand by number of rings on sleeve:
Quaturn—LH—2 rings, RH—1 ring Slow Compression—LH—4 rings, RH—3 rings

1-009XT, 1-100XT Stem Units



377XT Stem Unit



"XT" STEM UNITS

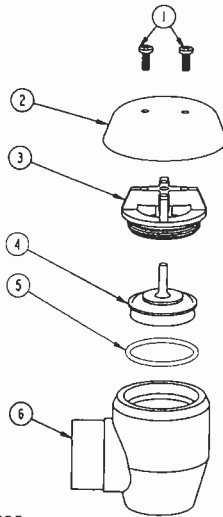
For Repair Kits for XT Series Order C3060 (1277) Quatern Jiffy Kit

KIT INCLUDES:

QTY.	DESCRIPTION	PART NO.	FIN.	X	XT
2	Packing	1-119	NF	•	•
2	Packing O-Ring	1-120	NF	•	•
2	Sleeve O-Ring	2-043	NF	•	•
2	Hard Seat Washer	1-321	NF	•	•
2	Stem O-Ring	1-219	NF	•	•
2	Gasket	1-043	NF	•	•
2	Packing Washer	93-031	NF	•	•
2	Seat O-Ring	1-328	NF	•	•
2	Seat Washer	1-021	NF	•	•
2	Packing Washer	93-131	RBF	•	•

892, 893

NOTE:
The only difference between 892 and 893 is in the inlet and outlet size.
892 is 1/2", 893 is 3/8".

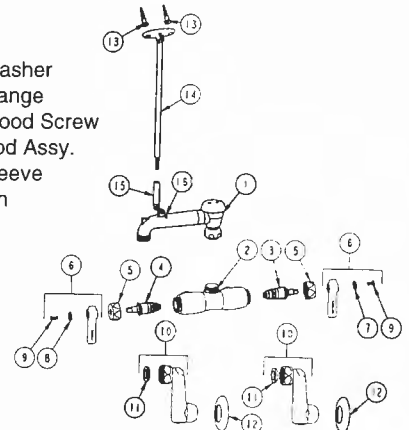


NO.	CAT NO.	PART NO.	DESCRIPTION
1		333-321	Pan Head Screw
2		892-154	Vacuum Breaker Cover
3		892-202	Clear Plastic VB Seat
4	C3116	892-32K	Vacuum Breaker Disc Assy.
5		80-007	O-Ring
6			Body Not Sold Separately

NOTE: For repair kit order model number 892-202K C7100.
Kit consists of parts 1, 2, 3, 4 and 5.

897

NO.	CAT NO.	PART NO.	DESCRIPTION
1	C3130	897S	Cast Spout Assy. See 897S for parts
2			Valve Body not sold separately
3	C3071	1-099XT	R H Quatern Unit
4	C3072	1-100XT	L H Quatern Unit
5		444-005	Cap
6		369PR	Cold/Hot Verticle Handle
7	C6966	633-123	Button Blue Index (Cold)
8	C6964	633-023	Button Red Index (Hot)
9	C6965	420-010	Screw
10	C3167		R-Arm
10A	C3168		R-Arm RCF
11	C3064		Washer
12		1-055	Flange
13		173-006	Wood Screw
14	C6979	175-002K	Rod Assy.
15		173-026	Sleeve
16		50-007	Pin



klo-self (cam-in-cap) handle type self-closing operating units



No 823-X Klo-Self

This unit is used for all self-closing fittings, faucets and valves with exposed caps such as Nos. 445, 305, 895, etc. except the number 701 Basin Faucet.



No. 701-X Klo-Self

This self-closing unit is used for the No. 701 Basin Faucet only.



C3115

No. 826-X Klo-Self

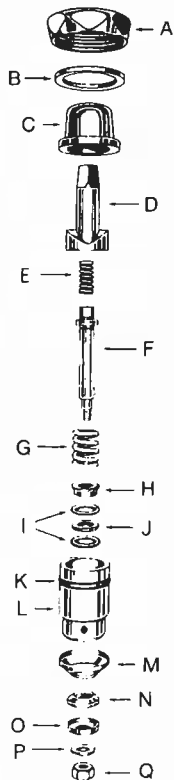
This unit is used for all self-closing Classic and Tiffany fittings, such as Nos. 1746A, 2797A, 1404A, 1797A, etc.



No. 825-X Klo-Self

This unit is used for all self-closing Hi-Lite concealed lavatory and sink fittings with cap under escutcheon, such as Nos. 746A, 200, 989, etc.

The Klo-Self operating unit is a self-closing, handle type operating unit that closes immediately upon release of the handle by the user. All Chicago Faucet fittings, faucets and valves, with the exception of the No. 104 and No. 105 Series, can be converted to handle type self-closing by incorporating one of the above Klo-Self operating units into the fitting.



PARTS LIST

Those parts listed in the "Description" column below that are marked with an asterisk (*) are parts that are recommended for replacement when renewing these operating units. Other parts not so marked may require replacement depending on the amount of wear they have received and their condition when examined.

Description	Klo-Self Operating Units			
	Handle Type—Self-Closing Units			
	823-X	701-X	825-X	C3115
A Nut	823-4	823-4	823-4	823-4
B Gasket*	C3070	C3070	C3070	C3070
C Bonnet	823-9	701-2	825-3	826-1
D Stem	823-7	701-1	825-2	701-1
E Spring	C6048	C6048	C6048	C6048
F Plunger	823-1	823-1	823-1	823-1
G Spring	823-10	823-10	823-10	823-10
H Gland	711-7	711-7	711-7	711-7
I "O" Rings*	C6040	C6040	C6040	C6040
J Leather Washer*	C6039	C6039	C6039	C6039
K "O" Rings*	C6049	C6049	C6049	C6049
L Sleeve	823-2	823-2	823-2	823-2
M Seal*	C3068	C3068	C3068	C3068
N Washer*	C6038	C6038	C6038	C6038
O Retainer	C3066	C3066	C3066	C3066
P Washer	C3069	C3069	C3069	C3069
Q Nut	C6041	C6041	C6041	C6041

Repair Kit C3049

Contains necessary parts to rebuild 2 stems.

naiad push button and oscillating handle self-closing operating units



C3096 - Cold
C3097 - Hot / C3098 - Push
No. 333-X Naiad

This operating unit is used for all No. 333 basin faucets and all push button stops. Note: 333-X-SLO is the same as No. 333-X, but with a slow-closing feature, external and internal adjustment.



C3103
No. 386-X Naiad
Used for oscillating handle valves. Note: No. 386-X-SLO is the same as No. 386-X, but with slow-closing feature.



No. 386-LDPX Naiad
This operating unit is used for No. 313 and No. 709 glass fillers.



No. 745-X Naiad
This operating unit is used for No. 745-VO and No. 745-CC-VO knee action valves.

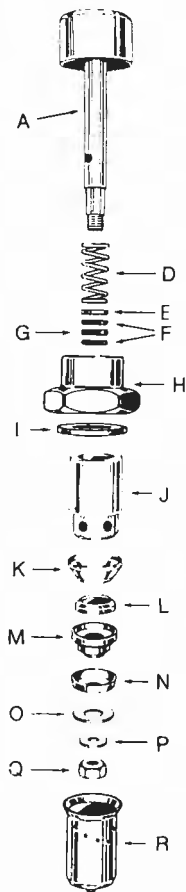


C3105
No. 625-X Naiad
The No. 625-X operating unit is used for all pedal valves, except for the 625 and 628 on which the 628X one hole sleeve operating unit is used.

Naiad self-closing operating units are designed to close upon release of the push button or oscillating handle.

PARTS LIST

Those parts listed in the "Description" column below that are marked with an asterisk (*) are parts that are recommended for replacement when renewing these operating units. Other parts not so marked may require replacement depending on the amount of wear they have received and their condition when examined.



Description	NAIAD—Self Closing Operating Units Push Button and Oscillating Handles				
	333-X	386-X	386-LDPX	625-X	745-X
A Button & Stem Assy.	C3095	386-7K	Note #1	Note #1	Note #1
B Button	—	—	386-7	625-12	745-10K
C Stem	—	—	723-7	333-20	745-15
D Spring	C6042	C6042	C6042	C6042	C6042
E Washer	C3088	C3088	C3088	C3088	C3088
F "O" Rings*	C6040	C6040	C6040	C6040	C6040
G Leather Washer*	C6039	C6039	C6039	C6039	C6039
H Cap	319-3	618-1	319-3	319-3	319-3
I Gasket*	C3070	C3070	C3070	C3070	C3070
J Sleeve	333-42	333-42	333-42	333-42	333-42
K Seat*	1-27	1-27	1-27	1-27	219-3
L Washer*	C6038	C6038	C6038	C6038	C6038
M Retainer	C3090	C3090	C3066	C3090	C3090
N Cup*	C3093	C3093		C3093	C3093
O Washer	C3092	C3092		C3092	C3092
P Washer	C3069	C3069	C3069	C3069	C3069
Q Nut	C6041	C6041	C6041	C6041	C6041
R Dash Pot	C3094	333-29K	Note #2	C3094	333-32

Note #1—Naiad operating units #386-LDPX, #625-X and #745-X do not have a one piece button and stem assembly. For these three operating units the button and stem are separate items — see part numbers listed for the items B and C above. Also note that Naiad operating unit #745-X has a metering cone (part #745-16) that should be included when replacing the stem of this operating unit.
Note #2 — Naiad operating unit #386-LDPX requires no dash pot assembly.

Order **C3048**
for Jiffy/Naiad repair kits for 2 units.

131



NAIAD adjustable slow-closing tip-tap operating units



C3099

No. 335-X Nalad

This Tip-Tap operating unit is an adjustable slow-closing operating unit that can be adjusted for a running cycle of from approximately 2 to 15 seconds. The No. 335-X slow-closing operating unit is used for exposed cap installations, such as No. 335.

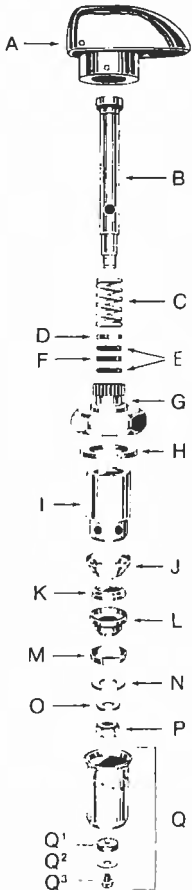
C3104

No. 409-X Naiad

This Tip-Tap operating unit is an adjustable slow-closing operating unit that can be adjusted for a running cycle of from approximately 2 to 15 seconds. This unit is used for concealed cap installations, such as No. 406A-E12 or No. 757A-E12.

PARTS LIST

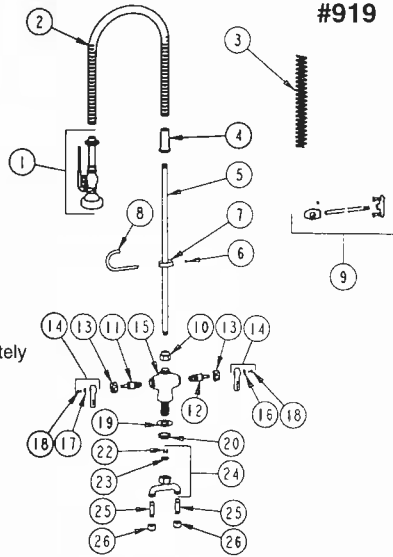
Those parts listed in the "Description" column below that are marked with an asterisk (*) are parts that are recommended for replacement when renewing these operating units. Other parts not so marked may require replacement depending on the amount of wear they have received and their condition when examined.



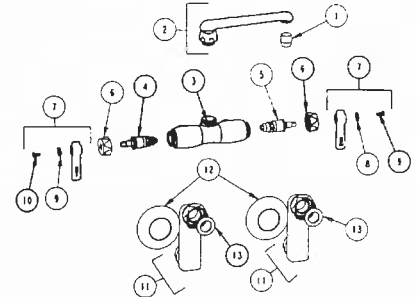
Description	Tip-Tap Naiad Operating Units Adjustable Slow-Closing	
	C3099	C3104
A Handle	Note #1	Note #1
B Stem	C6043	C6043
C Spring	C6042	C6042
D Washer	C3088	C3088
E "O" Rings*	C6040	C6040
F Leather Washer*	C6039	C6039
G Cap	335-5	409-1
H Gasket*	C3070	C3070
I Sleeve	333-42	333-42
J Seat*	C3068	C3068
K Washer*	C6038	C6038
L Retainer	C3090	C3090
M Cup*	C3093	C3093
N Washer	C3092	C3092
O Washer	C3069	C3069
P Nut	C6041	C6041
Q Dash Pot Assembly	C3094	C3094
Q1 Washer	C3091	C3091
Q2 Washer	333-28	333-28
Q3 Screw	333-21	333-21

Note #1—Handles are not included with operating unit. However, should you require new handles, indicate handle indexed "HOT" by part #335-007K or "COLD" by part #335-107K.

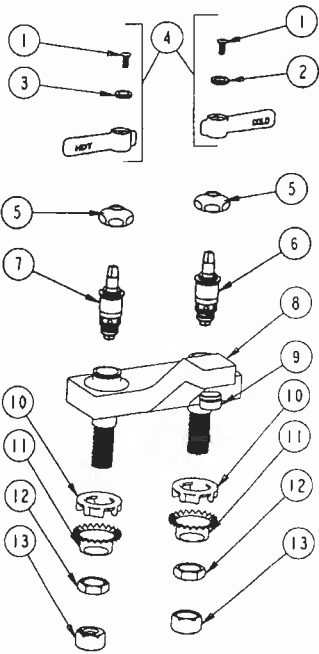
NO.	CAT. NO.	PART NO.	DESCRIPTION
1	C3018	80	See 80 for parts
2	C3020	919-039K	36" Hose Assembly
3	C4223	919-014	Spring
4		919-038	Guide Shank
5		919-039	Riser
6		371-009	Set Screw
7		851-103	Pipe Support
8		851-002	Hook
9		903-W	Wall Support
10		530-053	Adapter
11	C3072	1-100XT	L H Quatum Unit
12	C3071	1-099XT	R H Quatum Unit
13		444-005	Cap
14	C3108	369	Hot/Cold Vertical Handle
15		50-105	Valve Body not sold separately
16	C6966	633-123	Button Blue index (Cold)
17	C6964	633-023	Button Red Index (Hot)
18	C6965	420-010	Screw
19		50-014	Galvanized Washer
20		50-003	Locknut
21		50-006	Nut
22		50-007	Pin
23	C3077	50-008	Fiberwasher
24	C3078	50-010K	Connection Assembly
25		58-018K	Tailpiece
26		49-005	Coupling Nut



For 48" Hose (#2 above) order C3021



NO.	CAT. NO.	PART NO.	DESCRIPTION
1	C3133	E3	Softflow Assembly
2	C3169	S6	Cast Spout for Parts see S6
3			Valve Body not sold separately
4	C3071	1-099X	R H Quatum Unit
5	C3072	1-100X	L H Quatum Unit
6		444-005	Cap
7	C3108	369 VPR	Hot/Cold Vertical Handle
8	C6966	633-123	Blue Button (Cold)
9	C6964	633-023	Red Button (Hot)
10	C6965	420-010	Screw
11	C3155	H	Arm
12		1-055	Flange
13	C3064	1-011	Washer



802A

CHICAGO FAUCETS
THE SYMBOL OF QUALITY

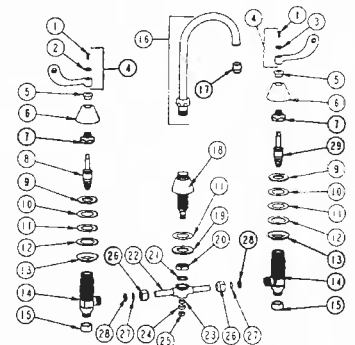
NOTE:
802A317 is the same as 802A
except with 317 4" wrist blade
handle.



317PR HANDLE

NO.	CAT. NO.	PART NO.	DESCRIPTION
1	C6965	420-010	Screw
2	C6966	633-123	Button Blue Index (Cold)
3	C6964	633-023	Button Red Index (Hot)
4	C3100	369HPR	Cold/Hot Horizontal Handle
5	C3074	1-214	Cap
6	C3071	1-099XT	R H Quatum Unit
7	C3072	1-100XT	L H Quatum Unit
8			Valve Body not sold separately
9	C3138	E12	Softflo Assembly
10		555-113	Stilt Washer
11		1797-114	Cup Washer
12		49-004	Locknut
13		49-005	Coupling Nut
14	C3087	317PR	4" Wrist Blade Handle

786-3E

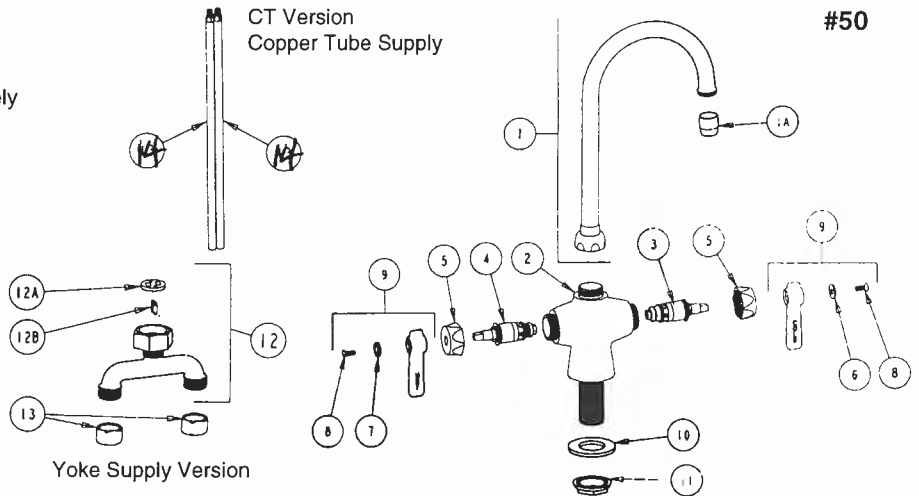


NO.	CAT. NO.	PART NO.	DESCRIPTION
1	C6965	420-010	Screw
2	C6964	633-023	Button Red Index (Hot)
3	C6966	633-123	Button Blue Index (Cold)
4	C3087	317PR	4" Blade Handle (Hot/Cold)
5		422-113	Escutcheon Nut
6		250-180	Escutcheon
7	C6047	274-004	Concealed Cap
8	C3104	377XTLH	L H Quatum Unit
9		308-003	Locknut
10		888-006	Brass Washer
11		739-56	Washer
12		55-10	Galvanized Washer
13	C6967	250-004	Locknut
14		250-194	Body Valve
15		49-005	Coupling Nut
16	C3149	GN2A	GN Spout-A Type End
17	C3133	E3	Softflo Assembly
18		785-251K	Spout Base Assembly
19		50-014	Steel Washer
20		250-054	Nut
21	C6968	250-200	Hard Gasket
22		785-103K	Tee Assembly
23	C6969	1797-129	Rubber Washer
24		250-187	Retainer
25		689-113	Nut
26		49-031	Nut
27		250-027	Washer Brass
28		200-010	Rubber Washer
29	C3102	377XTRH	R H Quatum Unit

133

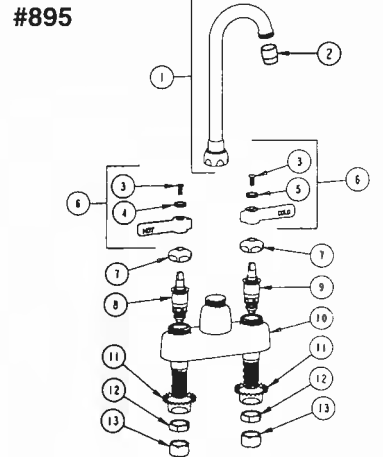
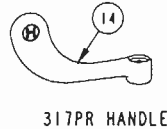
934 S.E. Sixth Avenue • Portland, Oregon 97214 • (503) 235-2167 • (800) 929-5039 • Fax (503) 239-3774

NO.	CAT NO.	PART NO.	DESCRIPTION
1	C3149	GN2A	For parts see GN2A
1A	C3133	E3	Softflo Assembly
2			Valve Body not sold separately
3	C3071	1-099XT	R H Quatern Unit
4	C3072	1-100XT	L H Quatern Unit
5		444-005	Cap
6	C6966	633-123	Button Blue Index (Cold)
7	C6964	633-023	Button Red Index (Hot)
8	C6965	420-010	Screw
9	C3108	369-VPR	Hot/Cold Vertical Handle
10		50-014	Steel Washer
11		50-003	Nut
12	C3078	50-010K	Connection Assembly
12A	C3077	50-008	Fiber Washer
12B		50-007	Pin
13		49-005	Nut
14		50-101K	Copper Tube



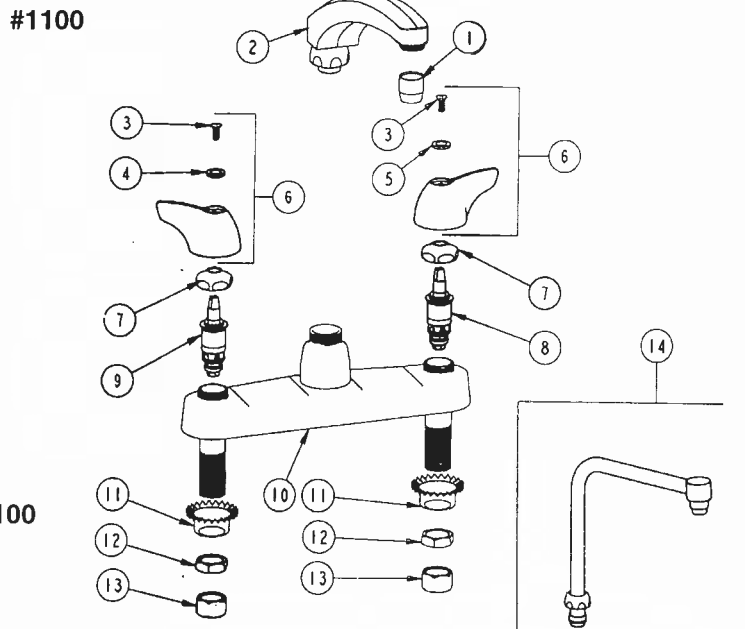
NO.	CAT NO.	PART NO.	DESCRIPTION
1	C3144	GN1A	See Spout Assemblies for Parts
2	C3133	E3	Softflo Outlet
3	C6965	420-010	Screw
4	C6966	633-123	Button Blue Cold
5	C6964	633-023	Button Red Hot
6	C3100	369-HPR	Handle
7	C3074	1-214	Cap
8	C3072	1-100XT	L H Quatern Unit
9	C3071	1-099XT	R H Quatern Unit
10			Valve Body not sold separately
11		1797-114	Cup Washer
12		49-004	Locknut
13		49-005	Coupling Nut
14	C3087	317-PR	4" Wrist Blade Handles

NOTE:
895-317 is the same as 895 except with 4" wrist blade handles.



NO.	CAT NO.	PART NO.	DESCRIPTION
1	C3133	E3	Softflo Assembly
2	C3163	L8	Cast Spout Assembly
3	C6965	420-010	Screw
4	C6964	633-023	Button Red Index (Hot)
5	C6966	633-123	Button Blue Index (Cold)
6	C3123	1000PR	Handle Hot/Cold
7	C3074	1-214	Cap
8	C3071	1-099XT	R H Quatern Unit
9	C3072	1-100XT	L H Quatern Unit
10			Valve Body not sold separately
11		1797-114	Cup Washer
12		49-004	Locknut
13		49-005	Coupling Nut
14		HA8	Hi-Rise Spout

NOTE:
1100-HA8 is the same as 1100 except with a HA8 spout.

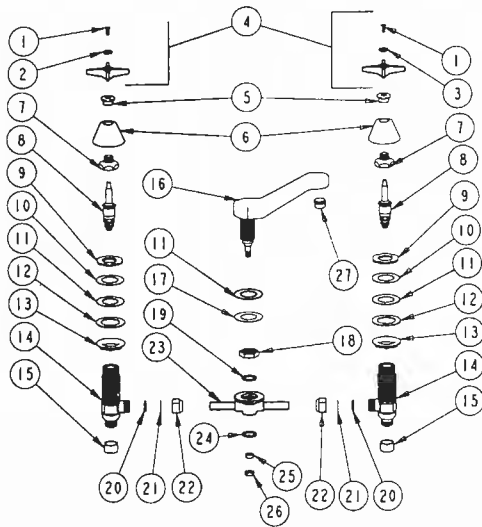
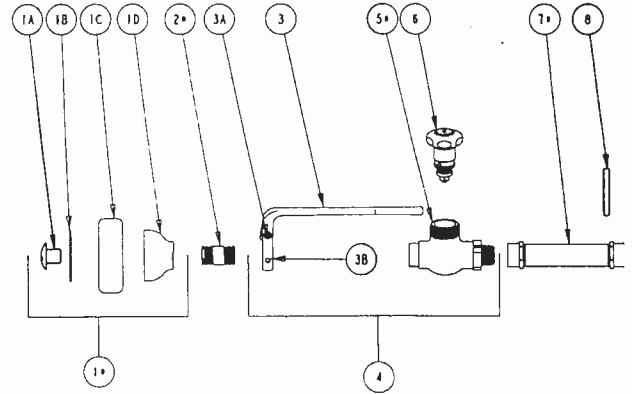


134

NO.	CAT NO.	PART NO.	DESCRIPTION
1	C6971	919-25K	Spray
1A		919-037	Screw
1B		919-036	Face Plate
1C	C6973	919-035	Black Rubber Bumper
1D		919-025	Head
2		919-29	Nipple
3	C6972	919-32K	Handle & Bracket
3A	C6974	778-005	Pin
3B		620-028	Set Screw
4		919-30K	Valve Body Assembly
5			Valve Body not sold separately
6	C3118	919-X	Unit
7	C6975	778-008K	Handle Assembly
8		618-6	Ring

#80

NOTE:
Parts 1, 2, 5 and 7 are
adhesived at the factory
but are available as JK
parts.

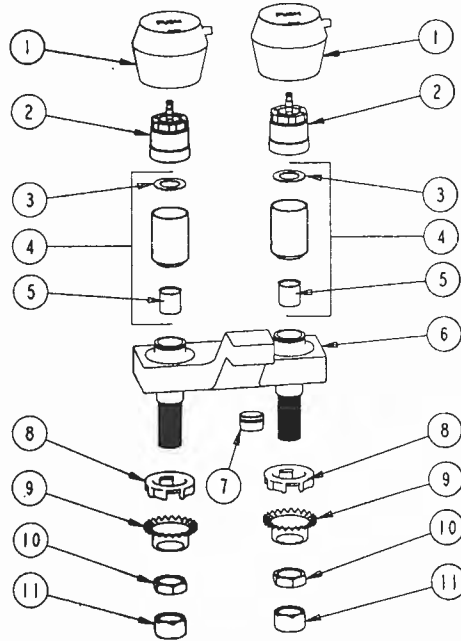


#404A

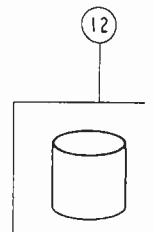
NO.	CAT NO.	PART NO.	DESCRIPTION
1	C6965	420-010	Screw
2	C6964	633-23	Button Red Index (Hot)
3	C6966	633-123	Button Blue Index (Cold)
4	C3107	633-PR	Hot/Cold 4-Arm Cross Handle
5		422-113	Escutcheon Nut
6		250-180	Escutcheon
7	C6047	274-004	Concealed Cap
8	C3104	377-XTLH	L H Quatern Unit
9		308-003	Nut
10		888-006	Brass Washer
11		739-056	Washer
12		55-010	Washer
13	C6967	250-004	Nut
14		250-194	Body Valve
15		49-005	Coupling Nut
16		401-001K	Cast Spout Assembly
17		50-14	Steel Washer
18		250-054	Nut
19	C6968	250-200	Hard Gasket
20		200-010	Rubber Washer
21		250-027	Washer Brass
22		49-031	Nut
23		785-103K	Tee Fitting Assembly
24	C6969	1797-129	Rubber Washer
25		250-187	Retainer
26		689-113	Nut
27	C3138	E12	Softflo Assembly

#802A-665

NOTE:
802A-665 is the
same as 802A-669
except 669 push
handles.



NO.	CAT NO.	PART NO.	DESCRIPTION
1		665	Tapered Push handle Assembly
2	C3109	665-190K	Actuator Assembly
3		665-011	Cap Washer
4	C3111	671-X	MVP Cartridge Assembly
5		667-402	MVP Filter
6			Valve Body not sold separately
7	C3138	E12	Softflo Assembly
8		555-113	Stilt Washer
9		1797-114	Cup Washer
10		49-004	Locknut
11		49-005	Coupling Nut
12		669	Handle Assembly

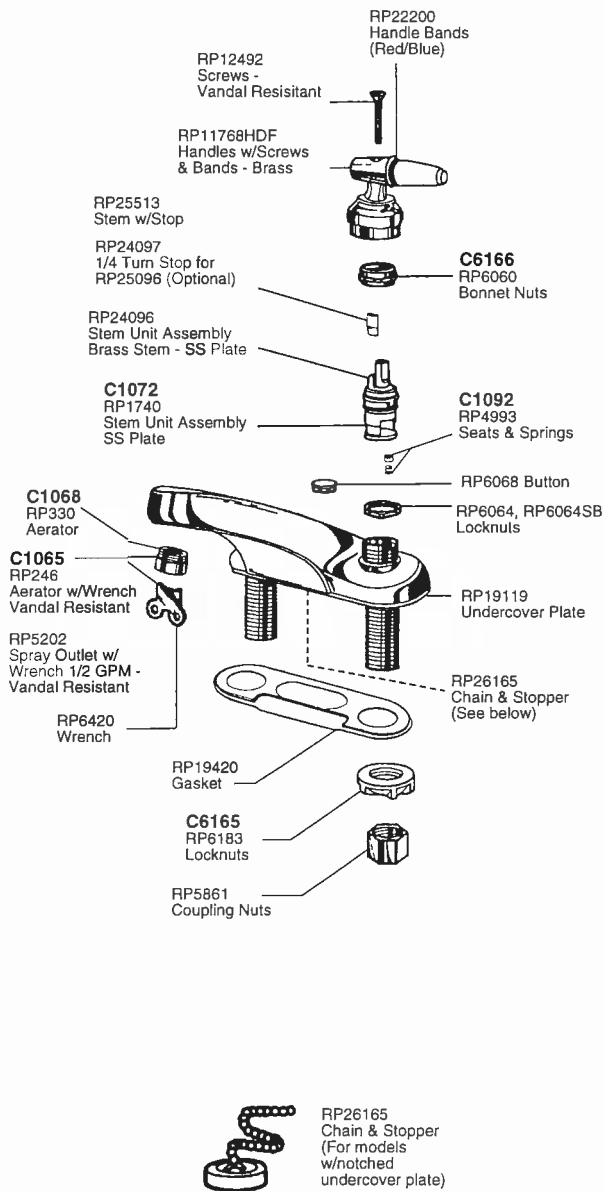


CHICAGO FAUCETS
THE SYMBOL OF QUALITY

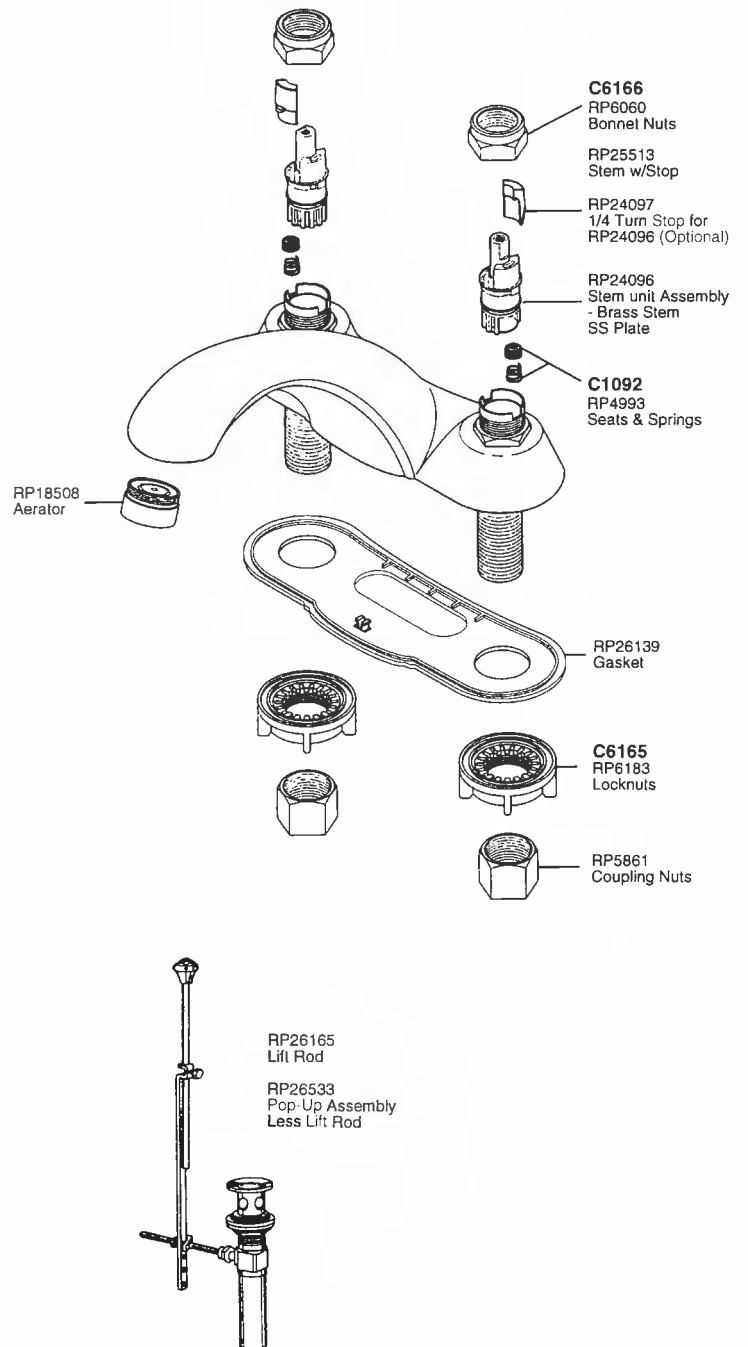
135



Models 2500, 2502 & 2520 Series

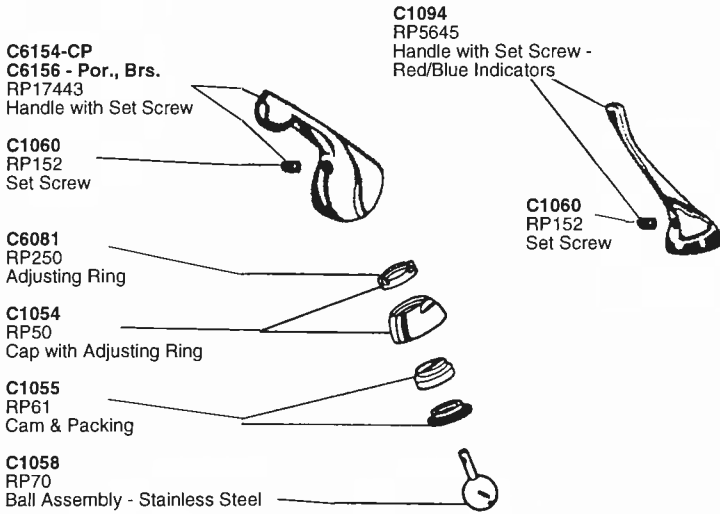


Models 2530 Series

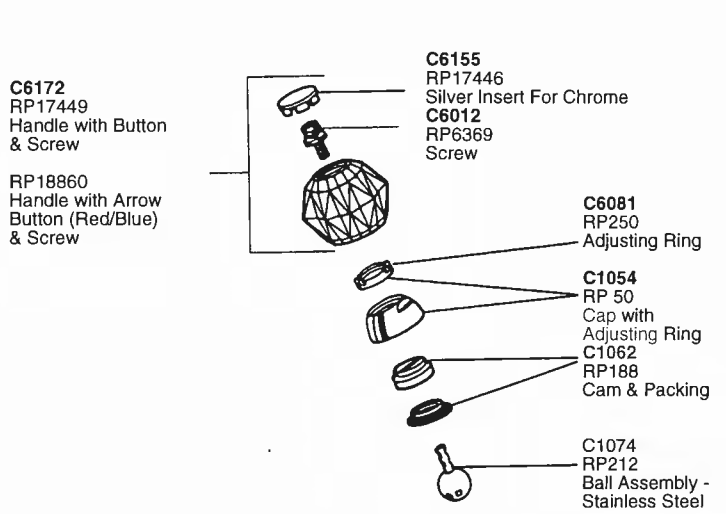




Models 500, 501, 505, 511, 515, 516, 520, 523 & 525 Series

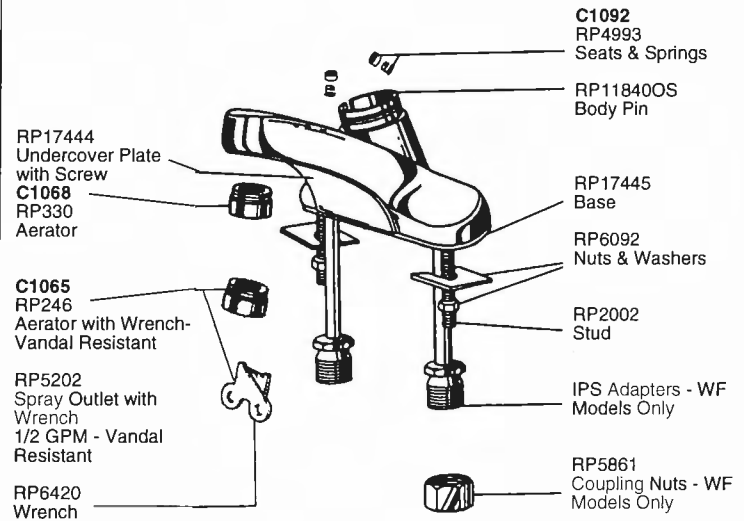
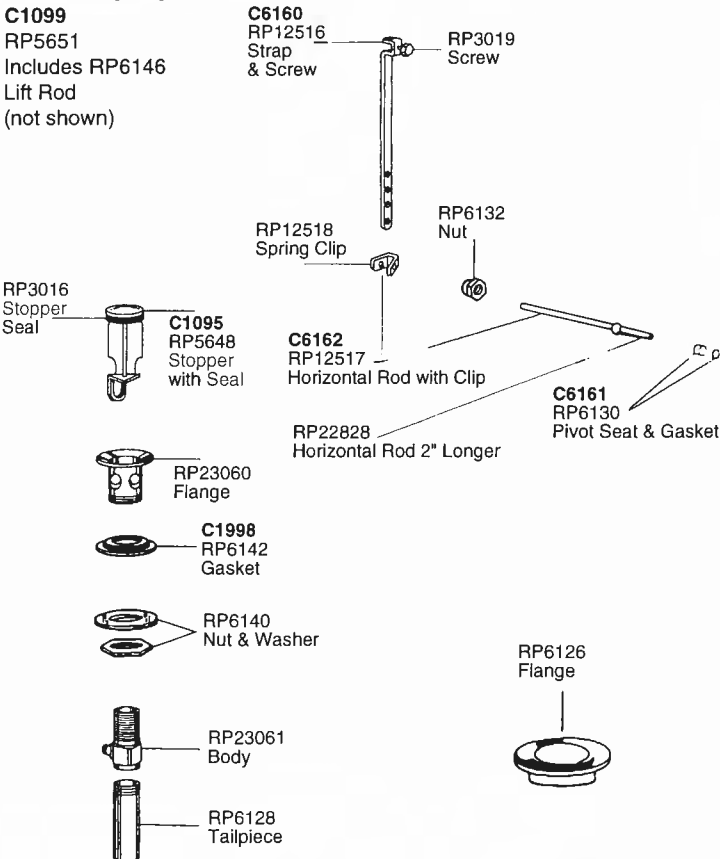


Models 502, 503, 504, 522 & 524 Series



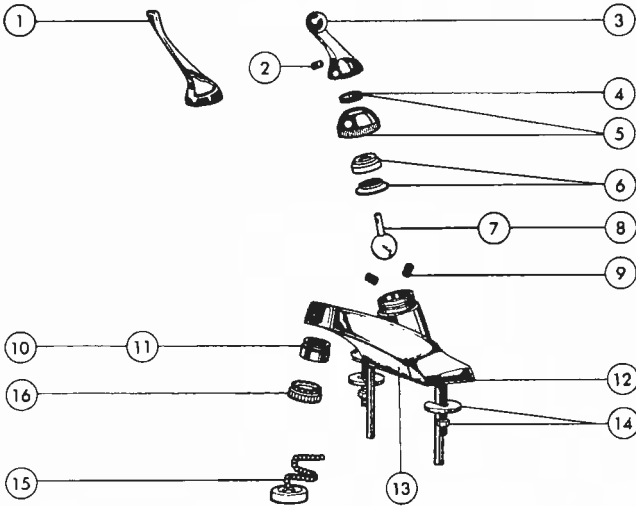
LAVATORY DRAIN ASSEMBLIES

Metal Pop-Up Assembly



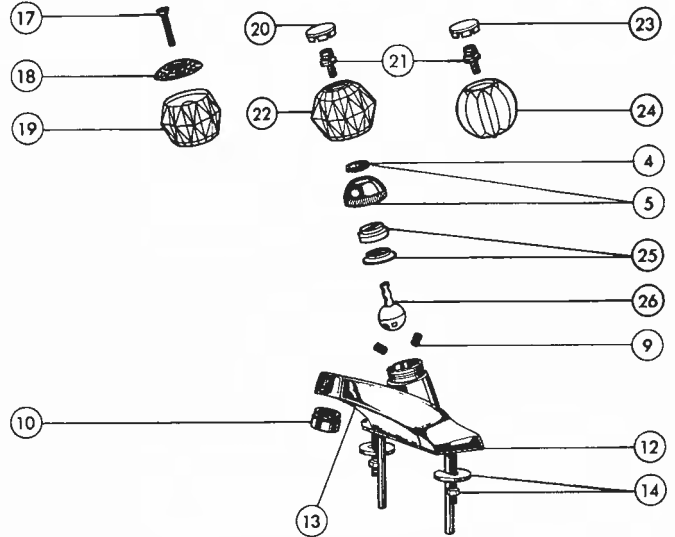


SINGLE LEVER LAVATORY CENTERSET FAUCETS



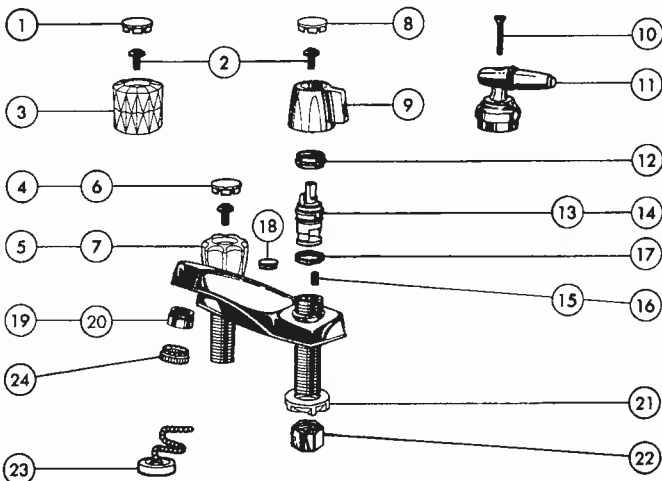
KEY	PART DESCRIPTION	ORDER NUMBER	CAT. NO.
1.	Handle w/Set Screw	RP5645	C1094
2.	Set Screw	RP452	C1060
3.	Handle w/Set Screw	RP90	C1059
4.	Adjusting Ring	RP250	
5.	Cap Assy. w/Adjusting Ring	RP50	C1054
6.	Cam Assy.	RP61	C1056
7.	Ball Assy.	RP70	C1057
8.	Ball Assy. (WORKFORCE)	RP10797	
9.	Seats & Springs	RP4993	C1092
10.	Aerator	RP330	
11.	Aerator-vandal resistant	RP246	C1068
12.	Base	RP6233	C1065
13.	Undercover Plate w/Screws	RP6235	

CRYSTAL HANDLE LAVATORY CENTERSET FAUCETS



KEY	PART DESCRIPTION	ORDER NUMBER	CAT. NO.
14.	Nut & Washer	RP6092	
15.	Chain & Stopper	RP7584	
16.	Wrench	RP12508	
17.	Screw	RP7429	
18.	Cap & Screw	RP4174	
19.	Handle w/Cap & Screw	RP4175	
20.	Button	RP2441	C1081
21.	Screw	RP6369	
22.	Handle w/Button & Screw	RP2389	C1076
23.	Button	RP4233	
24.	Handle w/Button & Screw	RP4232	
25.	Cam Assy.	RP188	C1061
26.	Ball Assy.	RP212	C1063

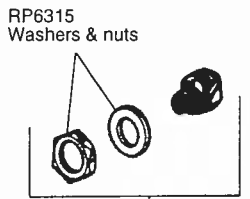
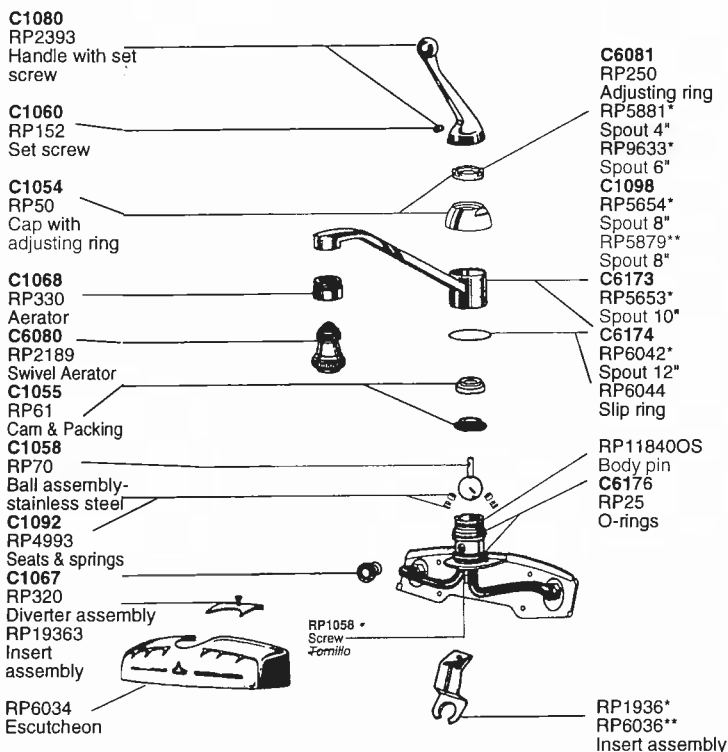
TWO HANDLE LAVATORY CENTERSET FAUCETS



KEY	PART DESCRIPTION	ORDER NUMBER	CAT. NO.
1.	Button Set	RP10208	
2.	Screw	RP5885	
3.	Handles w/Buttons & Screws	RP10207	
4.	Button Set	RP5692	
5.	Handles w/Buttons & Screws	RP5693	
6.	Button Set	RP6430	
7.	Handles w/Buttons & Screws	RP6237	
8.	Button Set	RP2412	C1082
9.	Handles w/Buttons & Screws	RP6062	
10.	Screws	RP12492	
11.	Handles w/Screws-Brass	RP11768 HDF	
12.	Bonnet (2)	RP6060 RP6060CG	
13.	Stem Unit Assy.	RP1740	C1071
14.	Stem Unit Assy., Seats & Seals	RP8230	C1100
15.	Seats & Springs	RP4993	C1092
16.	Seats & Seals	RP10700	
17.	Locknut (2)	RP6064 RP6064 CG	
18.	Button	RP6068	
19.	Aerator	RP330 RP330 BC RP330 CG	C1068
20.	Aerator-Vandal Resistant	RP246	C1065
21.	Locknut (2)	RP6183	
22.	Nut (2)	RP5861	
23.	Chain Stopper	RP7584	
24.	Wrench	RP12508	

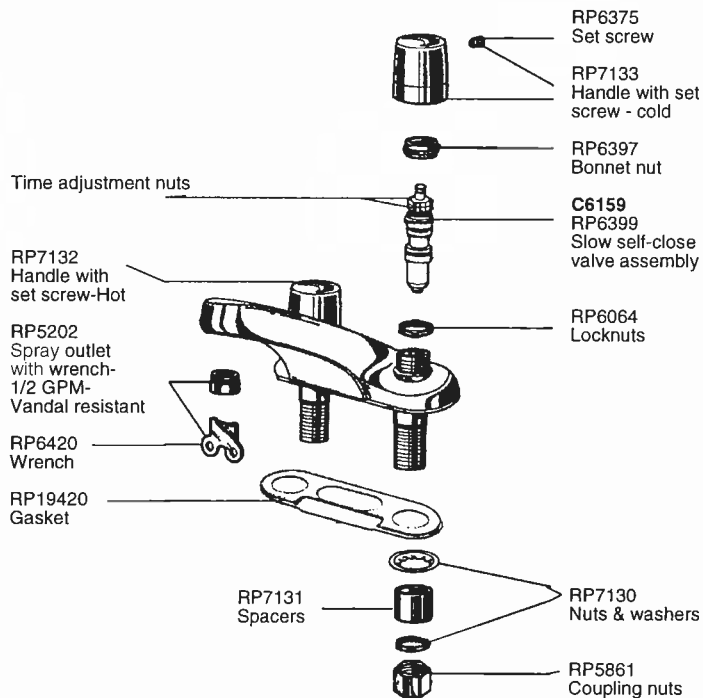


SINGLE HANDLE KITCHEN FAUCETS
Models 200 & 275 Series



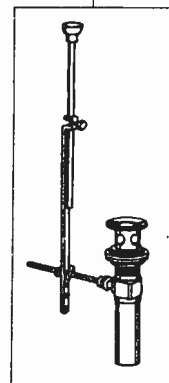
RP6038
Connectos, washers & nuts

SLOW SELF-CLOSE LAVATORY FAUCETS
Models 2507-HDF, 2517-HDF & 2527-HDF Series



RP14120
Repair kit for RP6399 slow self-close faucets - bulk (100 cup seats, 100 seats, 100 internal O-rings, 25 set screws, 1 wrench)

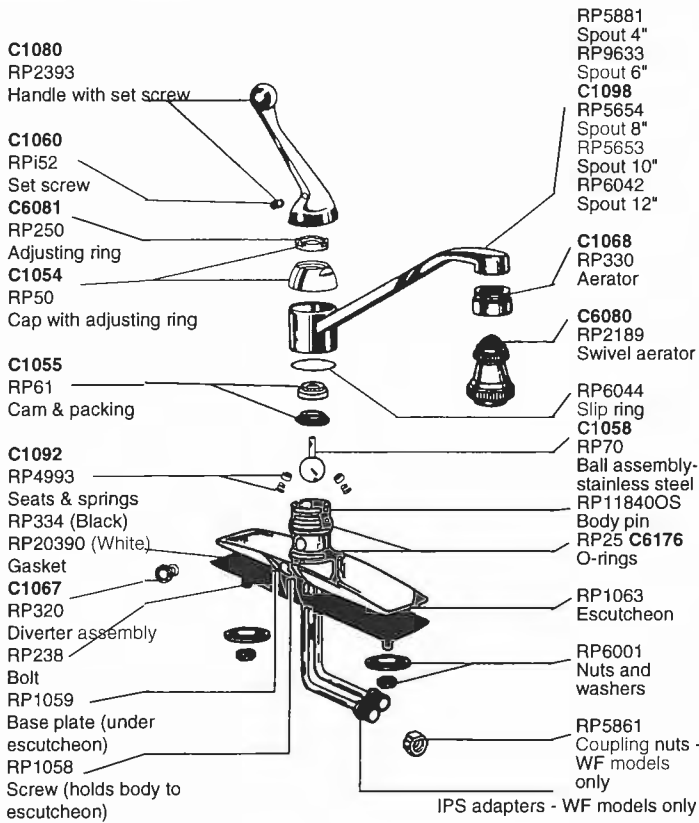
C1099
RP5651
Pop-Up assembly



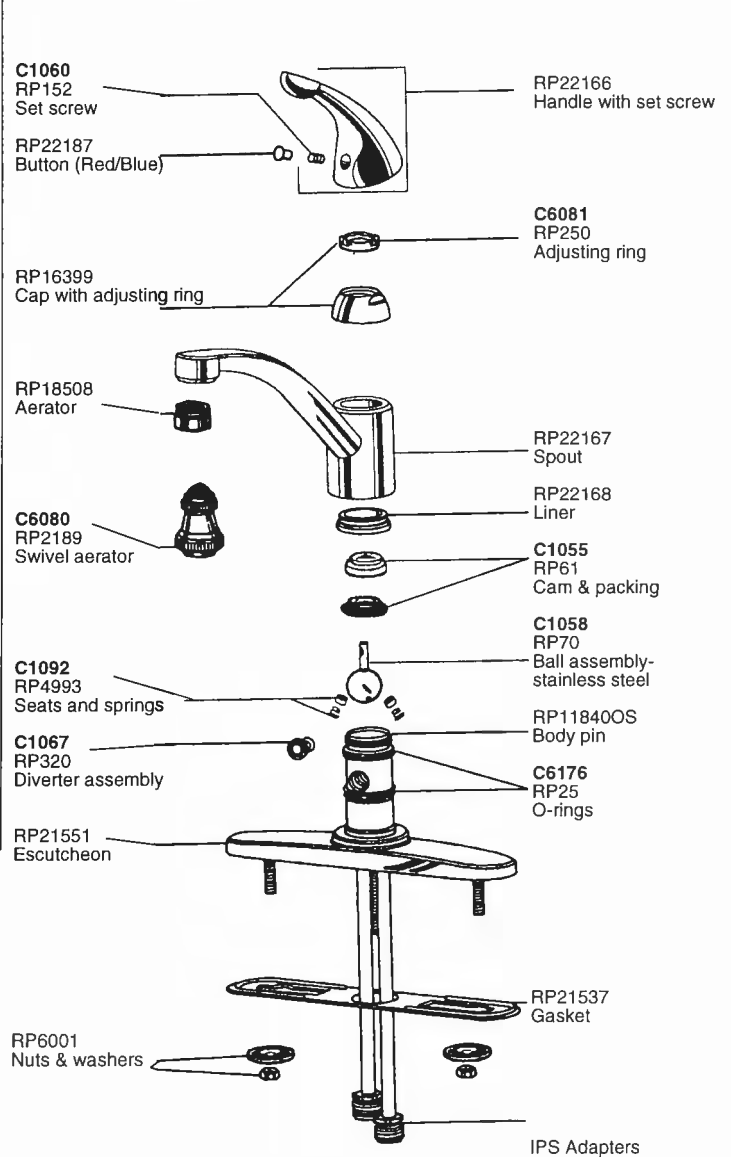
* Manufactured after April 1, 1993
** Manufacture before April 1, 1993

934 S.E. Sixth Avenue • Portland, Oregon 97214 • (503) 235-2167 • (800) 929-5039 • Fax (503) 239-3774

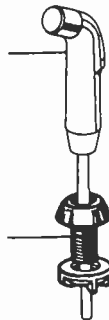
SINGLE HANDLE KITCHEN FAUCETS Models 100, 110 & 400 Series



SINGLE HANDLE KITCHEN FAUCETS Models 150, 350 & 450 Series



RP22000AL (Almond)
RP22000WH (White)
Spray & Hose assembly



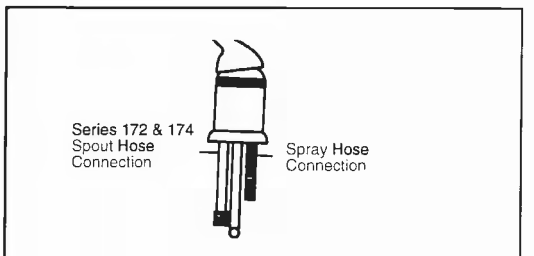
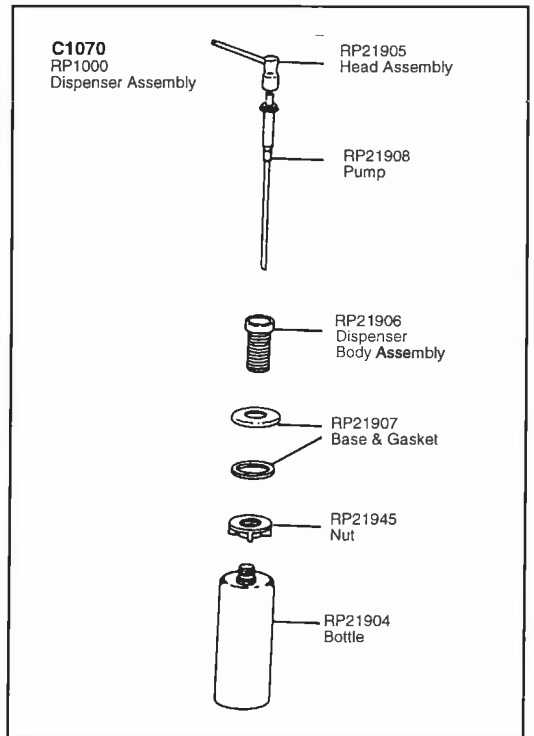
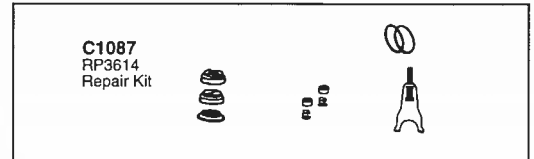
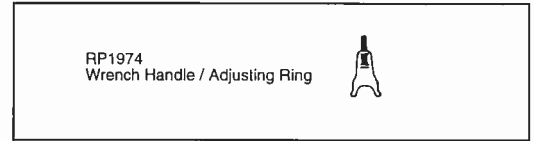
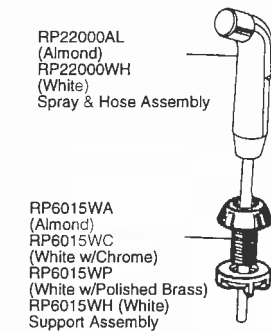
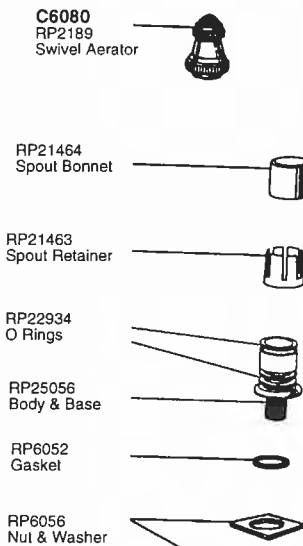
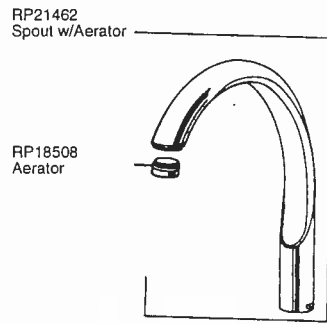
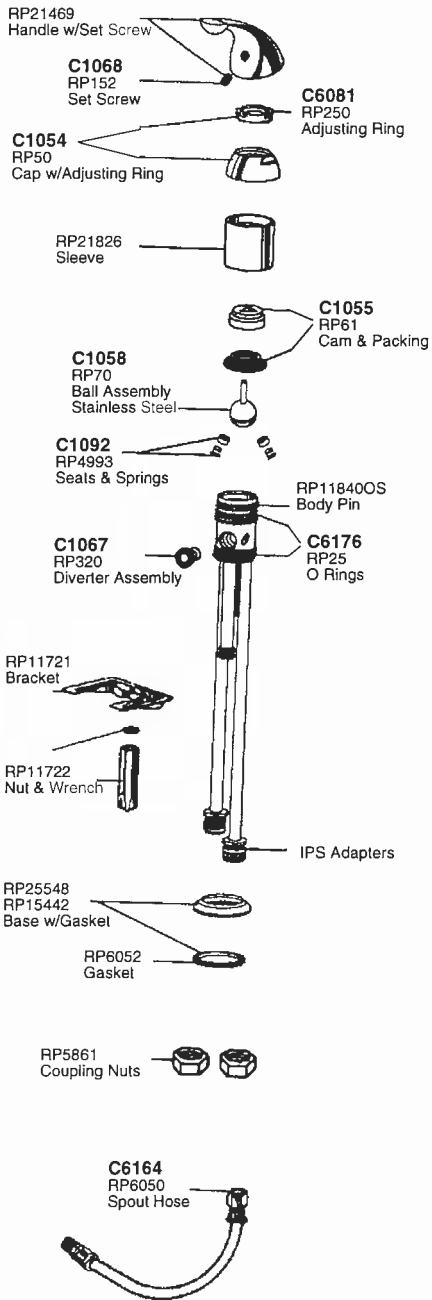
RP6015WA (Almond)
RP6015WC (White)
RP6015WP
(White w/polished brass)
RP6015WH (White)
Support assembly

RP5861
Coupling nuts





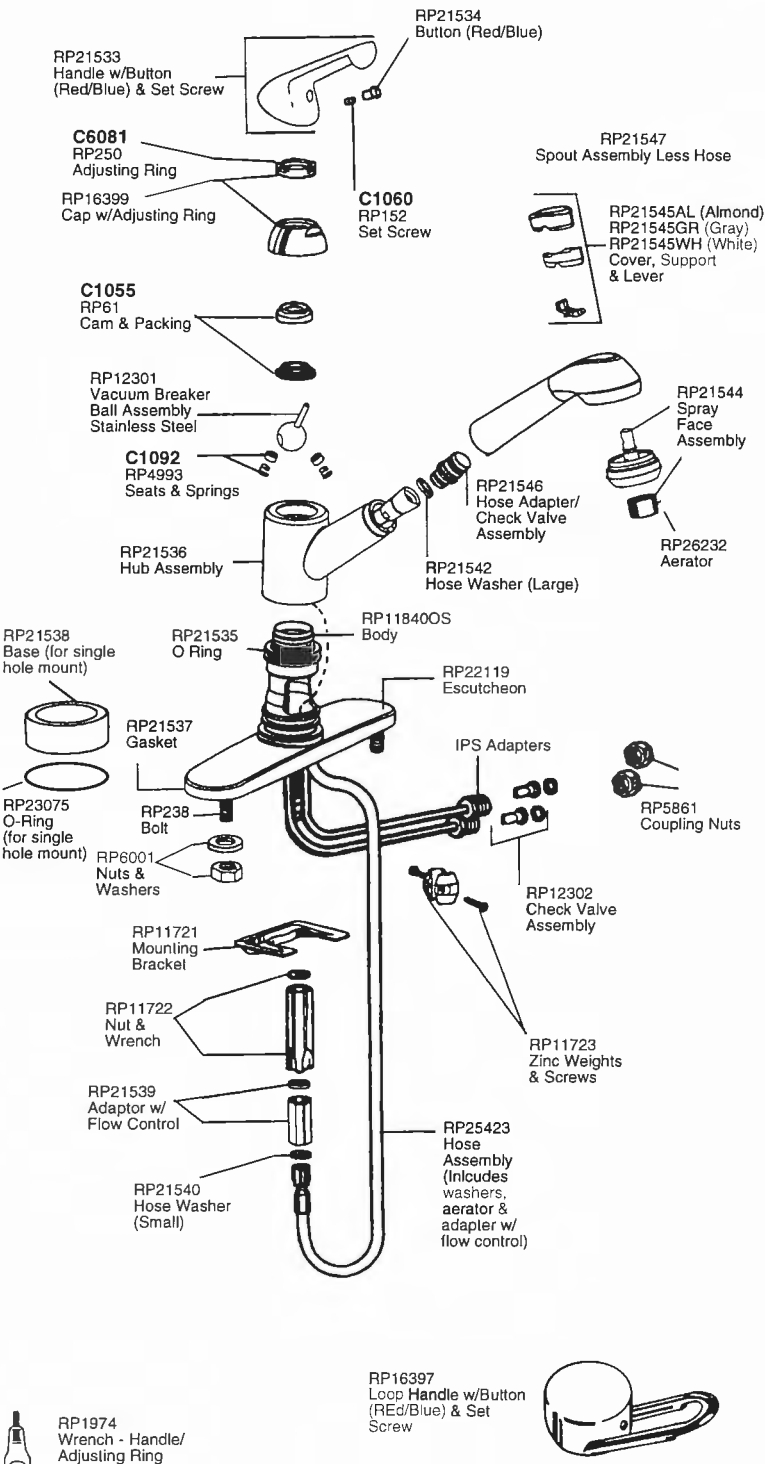
Models 172, 173 & 174 Series



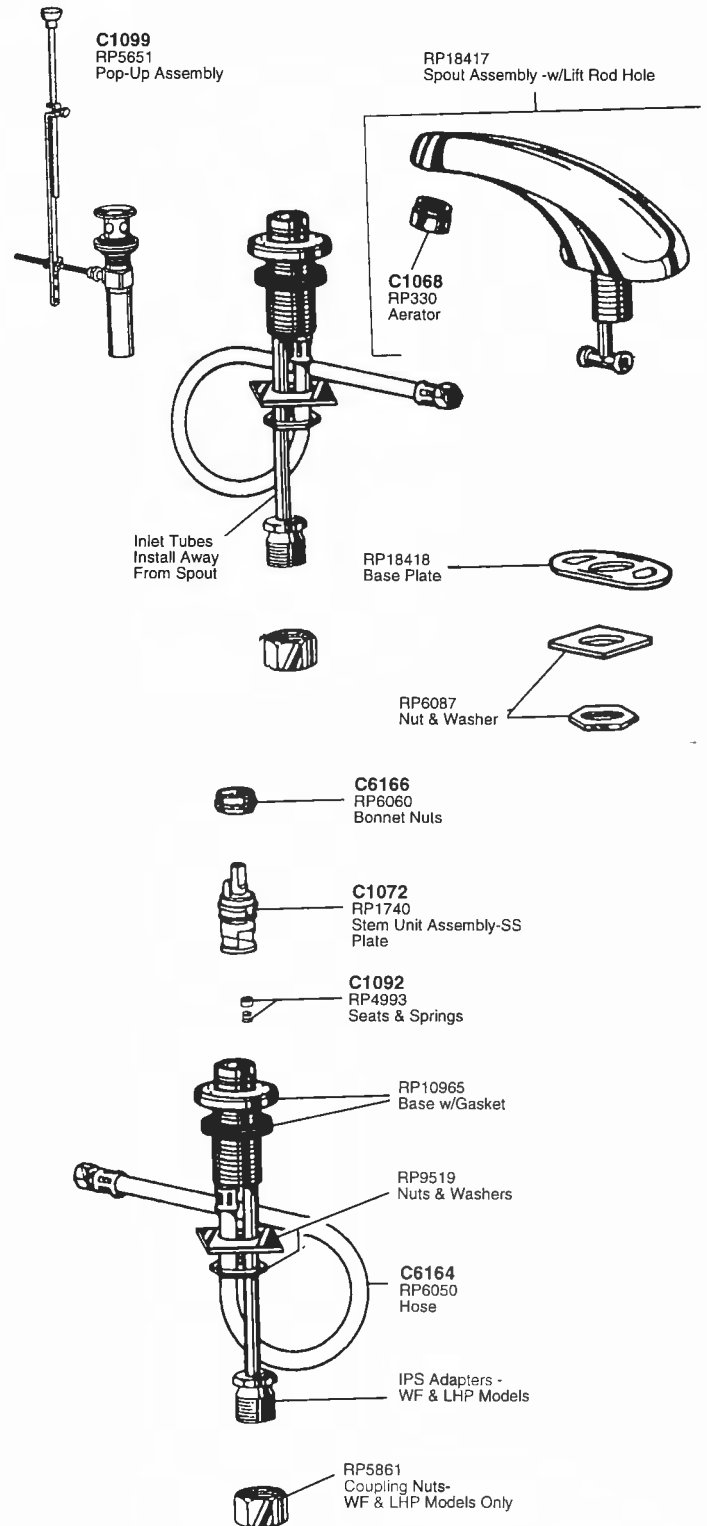
* Manufactured after May 1996
** Manufactured before May 1996



Models 462 & 466








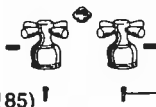










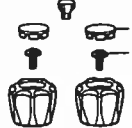





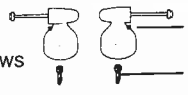




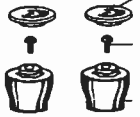


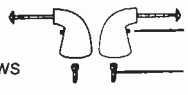
Models 3543, 3544 & 3345



If manufactured before February 2, 1996, order RP25426 Aerator & Adapter w/Flow Control.

142

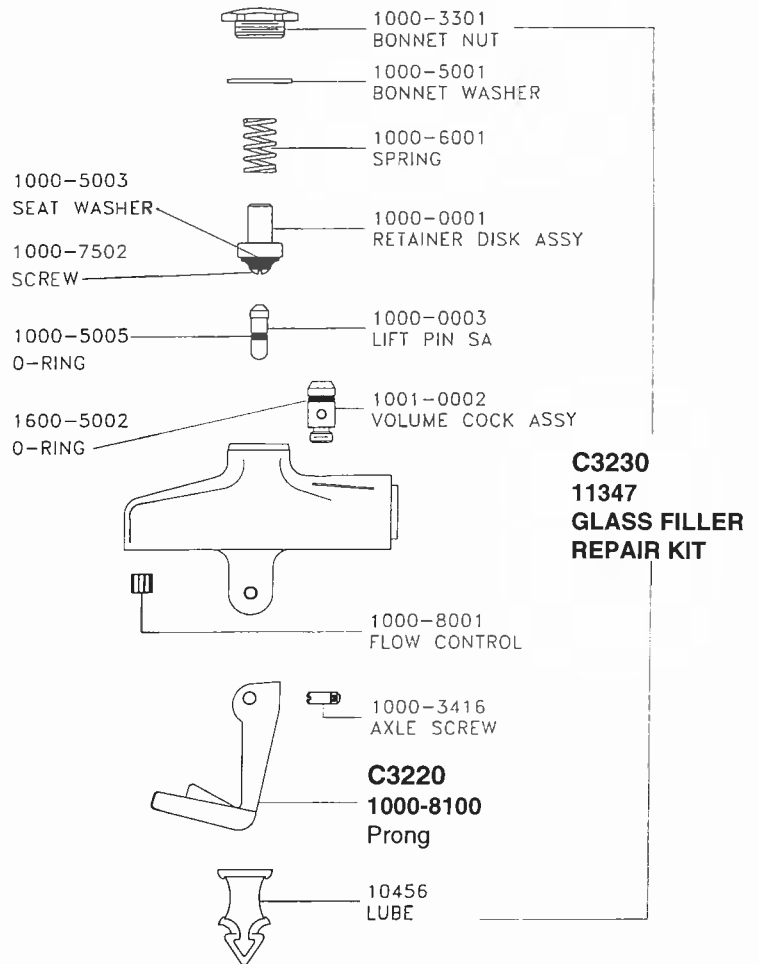
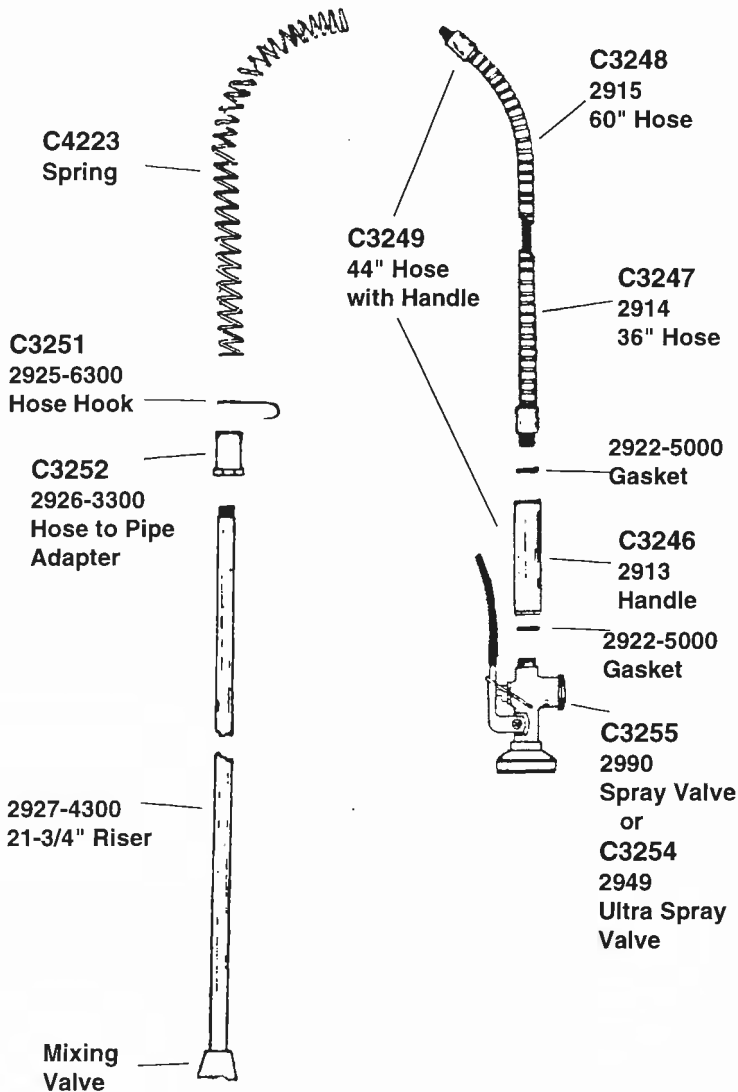
Miscellaneous Parts

<p>C1055 (RP61MBS) Cam & Packing – Single Lever Handle</p> 	<p>C1076 (RP2389) Handle w/Button & Screw – Clear – 1H Knob-Lav</p> 	<p>C1101 (RP8230) & (RP10700) Ceramic Stem Unit, Seat, O-Ring, Spring & Screw</p> 
<p>C1058 (RP70MBS) Ball Assy. – Single Lever Handle – SS</p> 	<p>C1077 (RP2390) Handle – Clear – 2H Knob For 2-HDL TUB/SHR</p> 	<p>C5057 (H26) Chrome Small Metal Cross Handles with Screws (RP25620) & (RP20185)</p> 
<p>C1059 (RP90) Handle w/Set Screw Short</p> 	<p>C1078 (RP2391) Handle w/Button & Screw – Clear – 1H Knob-600</p> 	<p>C6078 (H27) Chrome Small Porcelain Cross Handles with Screws (RP25620) & (RP20185)</p> 
<p>C1103 (RPF95A) Toilet Tank Fill Valve – Anti-Siphon – Code Approved</p> 	<p>C1081 (RP2411) Button – Clean – 1H Knob – Red/Blue</p> 	<p>C6082, C1082 (H28), (RP2412) & (RP5885) Blade Handles with Buttons & Screws</p> 
<p>C1062 (RP188MBS) Cam & Packing – Single Knob Handle</p> 	<p>C1082 (RP2412) Button Set – Clear – 2H Blade – 3/16" dia.</p> 	<p>C6083 (RP6073MBS) Diverter Assy. – 2H Kitchen w/Spray</p> 
<p>C1064 (RP212MBS) Ball Assembly – Single Knob Handle – SS</p> 	<p>C1083 (RP2932) NOT SHOWN Boxed Assortment Maintenance Parts Kit (5–RP61, 2–RP188, 2–RP250, 12–RP1181, 12–RP4993 plus 24 extra seats, 1–RP1974, 2–RP212, 2–RP70, 4–RP320, 6–RP25)</p>	<p>C6167 (H21), (RP18373) & (RP5885) Small Knob Handles with Buttons & Screws</p> 
<p>C1067 (RP320MBS) Diverter Assy. – 1H Kitchen w/Spray</p> 	<p>C1084 (RP3427MBS) Springs</p> 	<p>C6050 (H25), Chrome Small Lever Handles with Screws (RP25620) & (RP20185)</p> 
<p>C1069 (RP557) Shower Cover-up Plate – Covers 8" Center Holes Chrome</p> 	<p>C1087 (RP3614) Cam Assys., O-Rings, Seats, Springs, Wrench – 1H Lever or Knob</p> 	<p>C6062 (H22), Chrome Small Lever Handles with Screws (RP25620) & (RP20185)</p> 
<p>C1070 (RP1000) C6177 (RP1000WH) White C6175 (RP1000AL) Almond Soap/Lotion Dispenser Assy.</p> 	<p>C1088 (RP3427MBS) Springs</p> 	<p>C6074 (A23), Chrome Handle Accents with Finial</p> 
<p>C1073 (RP1806MBS) Seats</p> 	<p>C1090 (RP4039) NOT SHOWN Seats & Springs Boxed Assortment Kit (12–RP1181, 12–RP4993 plus 24 extra seats)</p>	<p>C6076 (H23), Chrome Small Ring Handles with Caps & Screws (RP18342), (RP5885) & (RP18340)</p> 
<p>C1075 (RP1991MBS) Stem Unit Assy. w/Seats – 1600</p> 	<p>C1093 (RP5219) Handle – Clear – 2H Roman Tub</p> 	<p>C6169 (H24), Chrome Small Lever Handles with Screws (RP25620) & (RP20185)</p> 

NOTE: Other colors, finishes available, please call.

FISHER

Pre-Rinse Units—Spring Type



FISHER



C3282
6250-2100
1" Locknut:
Brass

C3286
6550-2100
1 1/2" Locknut:
Brass



C3283
6280-5000
1" Washer:
Neoprene

C3285
6580-5000
1 1/2" Washer:
Fiber



C3281
6240-2100
1"x2" Long Waste
Socket: Brass

C3284
6540-2100
1 1/2" x 1 1/2" Long
Waste Socket: Brass

C3287
6740-2100
2"x2" Long Waste Socket: Brass



C3280
6129
2" x 6" Long Tail Piece:
Chrome



C3270
3965
12" Swivel
Gooseneck Spout



C3272
3968
6" Swivel
Gooseneck Spout

C3241
13080
Single Deck Dual
Control Valve w/ 3/8" F
outlet, check valves.



C3274
5000
3/4" Single Deck Control
Valve w/swivel outlet.



C3243
2902-12
Wall Bracket w/12" Rod

- C3266** 3961 8" Swing Spout
- C3267** 3962 10" Swing Spout
- C3268** 3963 12" Swing Spout
- C3269** 3964 14" Swing Spout
- C3271** 3967 16" Swing Spout



C3258
3000-0003
7 1/4" DJ Sub Assy.



C3273
4000-0002
13" DJ Sub Assy.



ADAPTERS

- C3250**
2922
Fishers Hose x T&S Spring Stop RC
(Includes (1) 2922-5000 Gasket)
- 2922-3401**
Fisher Hose x T&S Handle RC
(Includes (1) 2922-5000,
(1) 2922-5001 Gaskets)

MISC. FITTINGS

- C3237**
2000-3304
Fisher Swivel Body To Rigid PC
(Includes (1) 3000-5002 Gasket)

C3242
2901-0000
Add-On Faucet: Less Spout
For Rigid Control Valves
Accepts any Fisher Swing Spout

FISHER

2912-7000
SCREW FOR
OLD 2912
SPRAY VALVE

▶ SEE DRAWING

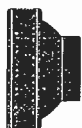
2912-5000
SPRAY DISK
FOR OLD 2912
SPRAY VALVE



2919
BUMPER FOR
OLD 2912
SPRAY VALVE



2990-3001
NOZZLE
FOR 2990
SPRAY VALVE



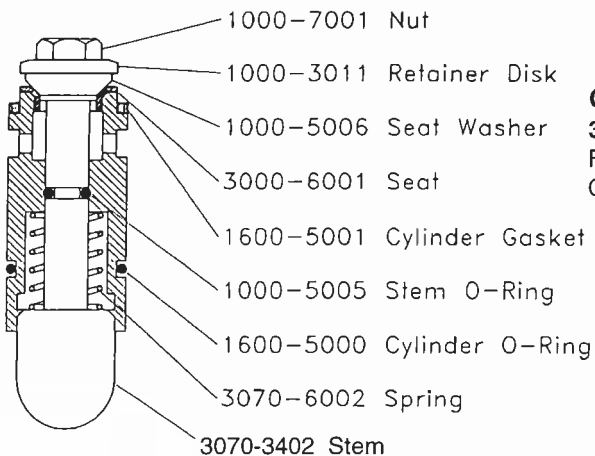
C3232

2949-9000
BLACK BUMPER
OR
2949-9002
BLUE BUMPER

2949-8400
CUP WASHER



2949-3001
2949 SPRAY NOZZLE
OR
2990-3000
2990-1 SPRAY NOZZLE

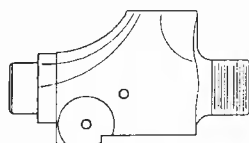


1000-7001 Nut
1000-3011 Retainer Disk
1000-5006 Seat Washer
3000-6001 Seat
1600-5001 Cylinder Gasket
1000-5005 Stem O-Ring
1600-5000 Cylinder O-Ring
3070-6002 Spring
3070-3402 Stem

C3261
3070-0000
Foot Valve
Cylinder

C3231
11355
Spray Valve
Repair Kit

1000-5003
SEAT WASHER
1000-7502
SCREW



SPRAY VALVE

1000-5005
O-RING



1000-3301
BONNET NUT



1000-5001
BONNET WASHER



2912-6000
SPRING



1000-0001
RETAINER DISK ASSY

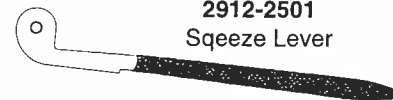
2922-5000
HANDLE GASKET

1000-0003
LIFT PIN SA

2909-5000
GASKET

2909-3400
LIFT PIN GUIDE

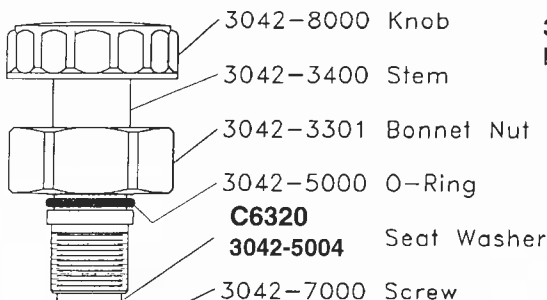
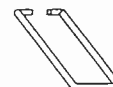
C3244
2912-2501
Squeeze Lever



C3245
2912-7501
Screws



2909-6000
CLIP

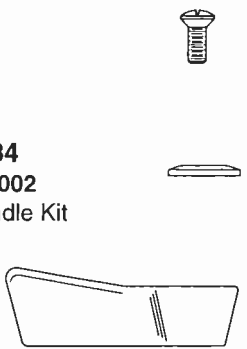


3042-8000 Knob
3042-3400 Stem
3042-3301 Bonnet Nut
3042-5000 O-Ring
C6320
3042-5004 Seat Washer
3042-7000 Screw


3042-0000
Dipperwell Stem

FISHER


C3234
2000-0002
Lever Handle Kit




C3238
2000-7500
Screw



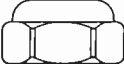
C3233
2000-0001
Retainer Assembly



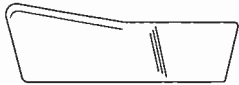
2000-8000 Red Button
or
2000-8001 Blue Button



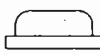
2000-3002 Bibb Cap




2000-2301 Lever Handle



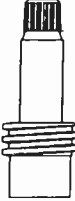
10464 Duck Gasket




2000-5000 Washer




2000-3406 LH Check Stem
or
2000-3407 RH Check Stem




2000-6000 Spring




2000-5003 Seat Washer




1000-7502 Screw



10456 Lube




C3233
2000-0001
Retainer Assembly




C3235
2000-0004
RH Check Stem Repair Kit
or
C3236
2000-0005
LH Check Stem Repair Kit

C3238
2000-7500
Screw

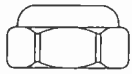


C3236
2000-0005
LH Check Stem Repair Kit

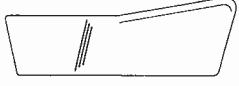
2000-8000 Red Button
or
2000-8001 Blue Button



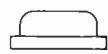
2000-3002 Bibb Cap




2000-2301 Lever Handle



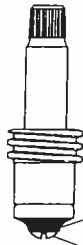
10464 Duck Gasket



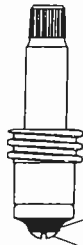
2000-5000 Washer



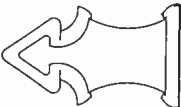
3000-0010 LH Swivel Stem
or
3000-0011 RH Swivel Stem



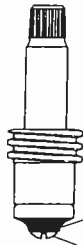
2000-5003 Seat Washer



10456 Lube



1000-7502 Screw



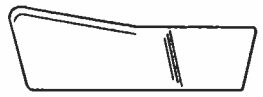
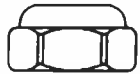






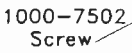
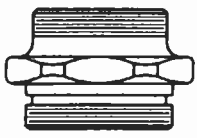





"TO PLACE AN ORDER CALL 1-800-247-8438"

197

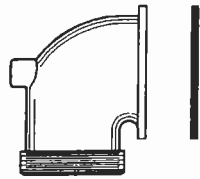
G-51

FISHER

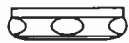
C3234		C3238 2000-7500 Screw	C3234
		2000-8000 Red Button or 2000-8001 Blue Button	
		2000-2301 Lever Handle	
		2000-3002 Bibb Cap	
		10464 Duck Gasket	
		2000-5000 Washer	
		2000-3406 LH Check Stem or 2000-3407 RH Check Stem	
		2000-6000 Spring	
		5000-0005 Retainer Assembly	
		5000-5003 Seat Washer	
	1000-7502 Screw	<p>C3275 5000-0012 RH Check Stem Repair Kit or C3276 5000-0013 LH Check Stem Repair Kit</p> <p>5000-0010 RH Swivel Stem Repair Kit or 5000-0011 LH Swivel Stem Repair Kit</p>  <p>5000-3308 RH STEM ADAPTER or 5000-3305 LH STEM ADAPTER</p>	
	5000-5002 Fiber Gasket		
	10456 Lube		
	3298 PST		

3/4" SS Seat for 3/4" Stems
 5000-3007 (Not Shown) C6321

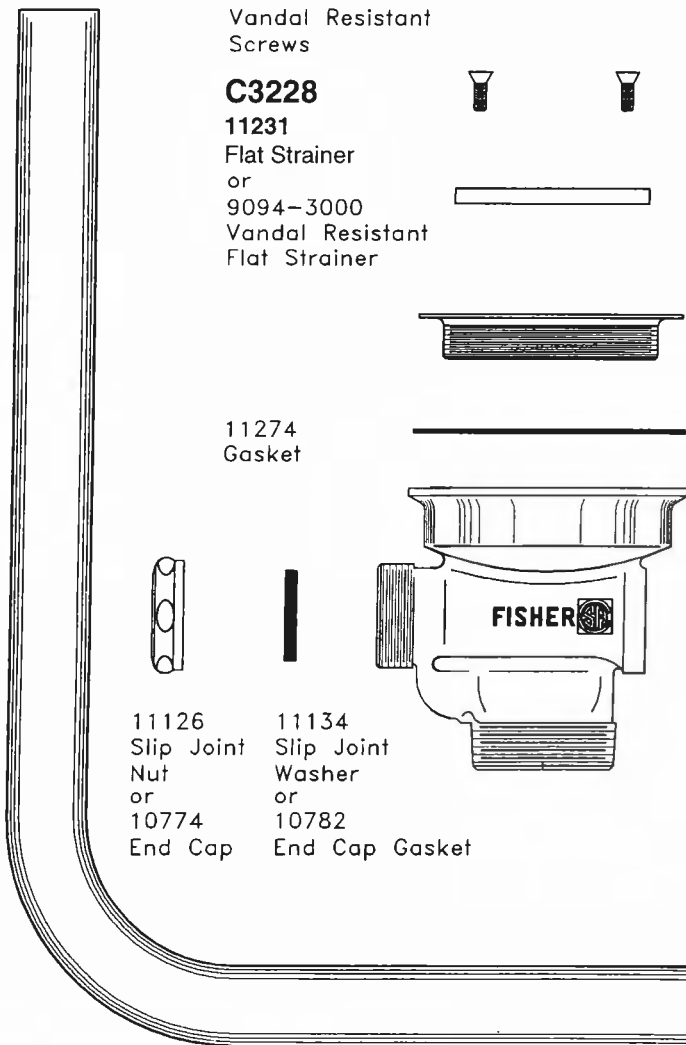
FISHER



11134
Slip Joint Washer



11126
Slip Joint Nut



6126-5000
Gasket



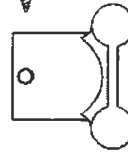
11215
Strainer



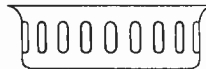
6126-7400
Screw



13811
Screw



13803
Knob



C3229
11258
Basket Strainer



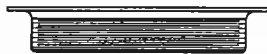
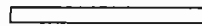
1600-7001
Allen Wrench
for
Vandal Resistant
Screws

C3228

11231
Flat Strainer
or
9094-3000
Vandal Resistant
Flat Strainer



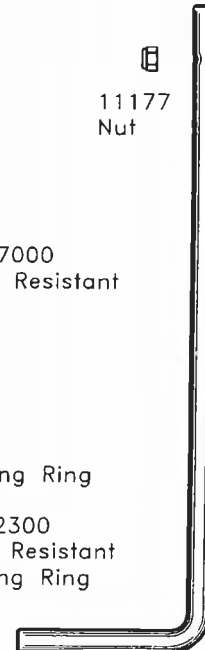
1600-7000
Vandal Resistant
Screws



11266
Clamping Ring
or
9094-2300
Vandal Resistant
Clamping Ring



11274
Gasket



11169
Lever Handle

11177
Nut

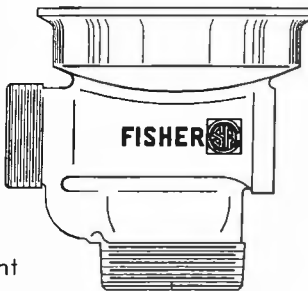
11185
Screw



11126
Slip Joint
Nut
or
10774
End Cap



11134
Slip Joint
Washer
or
10782
End Cap Gasket



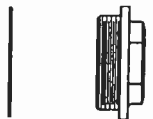
C3278

11142
O-Ring



C3277
6000-0003
Rotor w/ O-Ring

11118
End Cap



11150
Fiber Washer

C3279

6124-4400
19 x 21 Overflow Tube
or
6125-4400
16 x 14 Overflow Tube

#21175

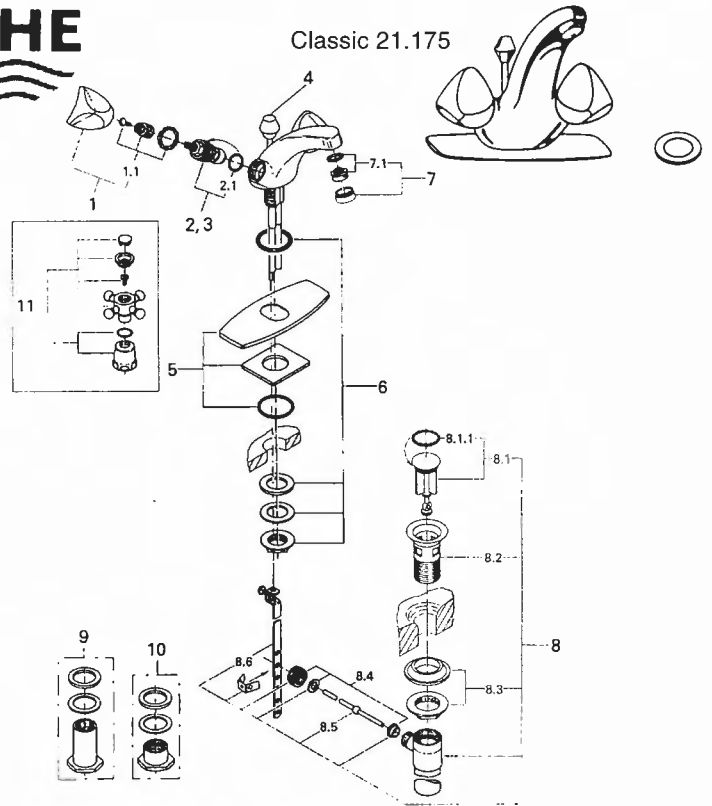
Cat. No.	No.	Model #	Description
	1	06486	TDL Handle, Neutral
C5452	1.1	45001	Handle Connection Set
C5465	2	45625	Ceramic Cartridge 1/2" 90°, right
	2.1	03924	O-Ring
C5466	3	45626	Ceramic Cartridge 1/2" 90°, left
	4	06073	Lift Rod
	5	07542	6" Escutcheon
	6	45012	Mounting Set
C5447	7	13955	Flow Regulator M 24 x 1
C5457	7.1	45220	Flow Regulator Set
	8	28958	Pop-Up Drain
	8.1	54324	Stopper
	8.1.1	01147	Stopper O-Ring
	8.2	01153	Flange
	8.3	45266	Shank Nut and Bushing
	8.4	45265	Nut and Bushings
	8.5	45264	Ball Rod
	8.6	45263	Strap with Screw

Special Accessories

9	12925	2" Extension Kit
10	12927	1-1/2" Extension Kit
11	45277	Arabesk Handle

GROHE

Classic 21.175



#20856

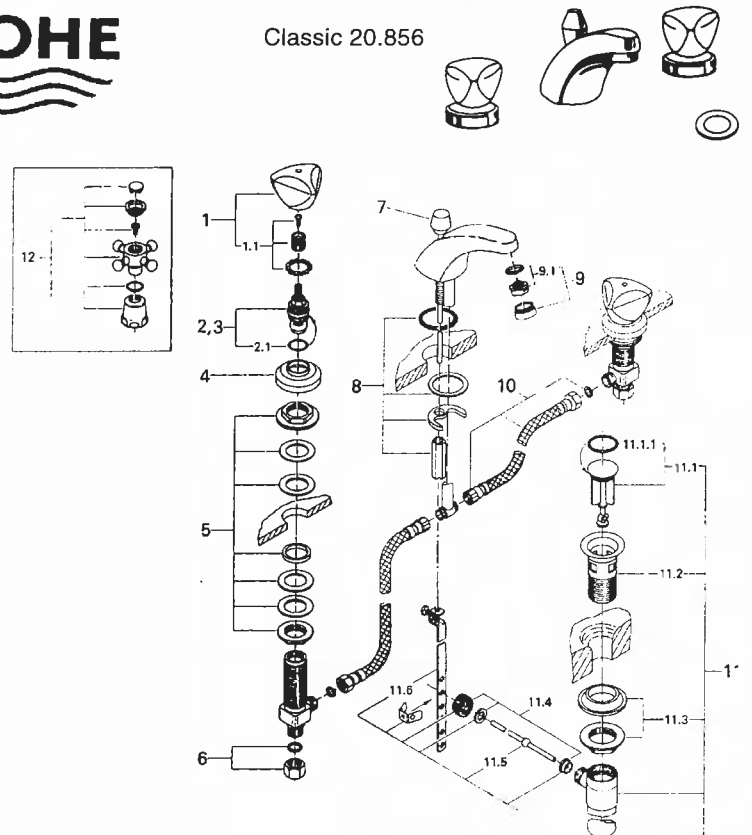
Cat. No.	No.	Model #	Description
	1	06490	TDL Handle, Neutral
C5452	1.1	45001	Handle Connection Set
C5465	2	45625	Ceramic Cartridge 1/2" 90°, right
	2.1	03924	O-Ring
C5466	3	45626	Ceramic Cartridge 1/2" 90°, left
	4	03394	Flange
	5	45025	Mounting Set
	6	12902	Connection Nut Set
	7	06073	Lift Rod
	8	45226	Mounting Set
C5447	9	13955	Flow Regulator M 24 x 1
C5457	9.1	45220	Flow Regulator Set
	10	45442	Flexible Connection Hose
	11	28958	Pop-Up Drain
	11.1	45324	Stopper
	11.1.1	01147	Stopper O-Ring
	11.2	01153	Flange
	11.3	45266	Shank Nut and Bushing
	11.4	45265	Nut and Bushings
	11.5	45264	Ball Rod
	11.6	45263	Strap with Screw

Special Accessories

12	45277	Arabesk Handle
----	-------	----------------

GROHE

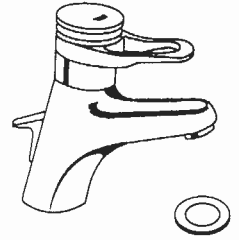
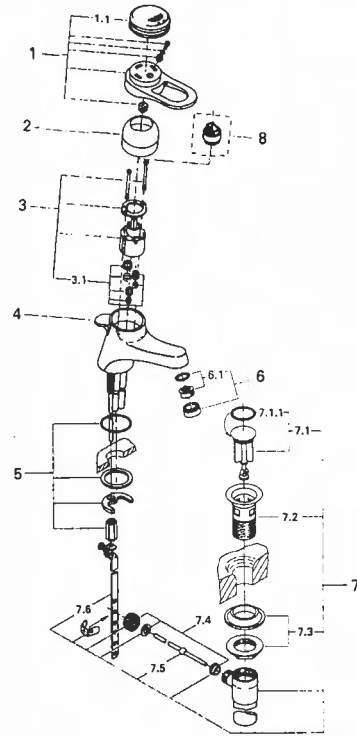
Classic 20.856



934 S.E. Sixth Avenue • Portland, Oregon 97214 • (503) 235-2167 • (800) 929-5039 • Fax (503) 239-3774

#33083

Cat. No.	No.	Model #	Description
	1	46129	Lever Set
	1.1	46130	Cover Cap
	2	00927	Cap
C5467	3	46048	Cartridge
C5480	3.1	46209	Sealing Set
	4	06048	Lift Rod
	5	46122	Mounting Set
C5447	6	13955	Flow Regulator
C5457	6.1	45220	Flow Regulator Set
	7	28958	Pop-Up Drain
	7.1	45324	Stopper
	7.1.1	01147	Stopper O-Ring
	7.2	01153	Flange
	7.3	45266	Shank Nut and Bushing
	7.4	45265	Nut and Bushings
	7.5	45264	Ball Rod
	7.6	45263	Strap with Screw



Europlus Lavatory
33.083

Special Accessories

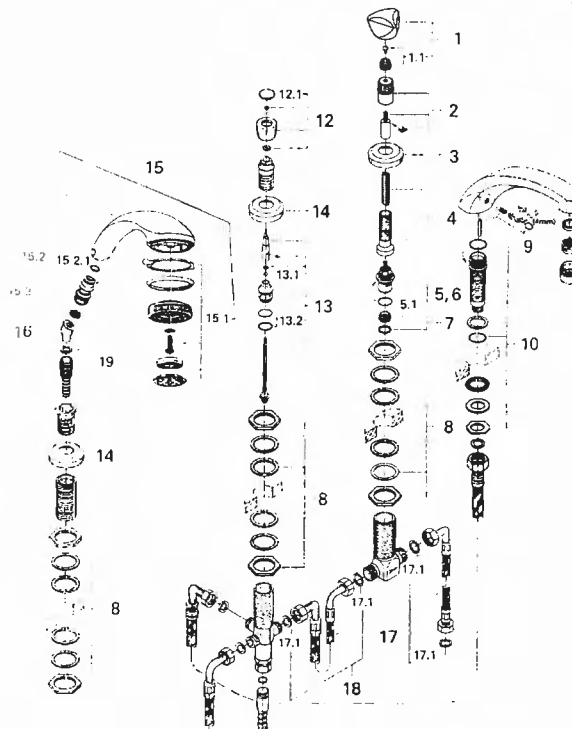
8	46153	Handle Rotation Stop
---	-------	----------------------

#25580

Cat. No.	No.	Model #	Description
	1	06490	TDL handle, neutral
C5452	1.1	45001	Handle Connection Set
	2	45204	Extension Sleeve
	3	02368	Escutcheon
	4	45202	Extension Spindle
C5462	5	45281	Ceramic Cartridge 3/4" 90°, right
	5.1	45583	Body Seal O-Ring
	6	45280	Ceramic Cartridge 3/4" 90°, left
	7	45345	Renewable Seat Set
	8	45444	Mounting Set
	9	45682	Spout Fitting Set
	10	45163	Mounting Set Spout
	11	13927	Flow Straighter M 28 x 1
	12	07576	Diverter Knob
	21.1	03288	Cap
	13	45443	Diverter Cartridge
	13.1	01283	O-Ring
	13.2	01205	O-Ring
	14	02335	Escutcheon
	15	28175	Handshower
	15.1	45659	Shower Rose Kit
	15.2	28637	Coupling Piece
C5423	15.2.1	01224	O-Ring
	15.3	07002	Screen
	16	02442	Elbow
	17	45446	Flexible Hose
	17.1	01386	Washer
	18	45420	Flexible Hose
	19	28158	79" Hose



Classic Roman Tub
25.580





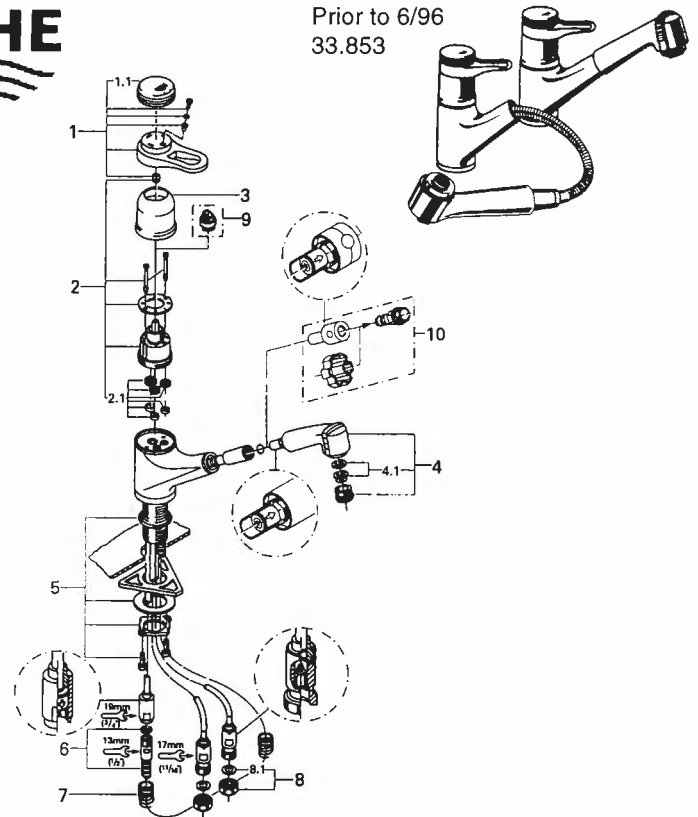
Prior to 6/96
33.853

#33853

Cat. No.	No.	Model #	Description
	1	46129	Lever Set
	1.1	46130	Cover Cap
C5467	2	46048	Cartridge
C5480	2.1	46209	Sealing Kit
	3	01734	Cap
C5482	4	46359	Hand Held Spray, White
C5481	4	46359	Hand Held Spray, Black
C5483	4	46359	Hand Held Spray, Almond
	4.1	46002	Flow Regulator Set
	5	46078	Mounting Set
C5478	6	46092	Spray Hose Assembly
	7	07240	Pressure Spring
	8	12902	Connection Nut Set
C5425	8.1	01389	Washer

Special Accessories

9	46153	Handle Rotation Stop
10	46360	Click Coupling for
	27831	Kitchen Accessories Set
	07543	10" Escutcheon



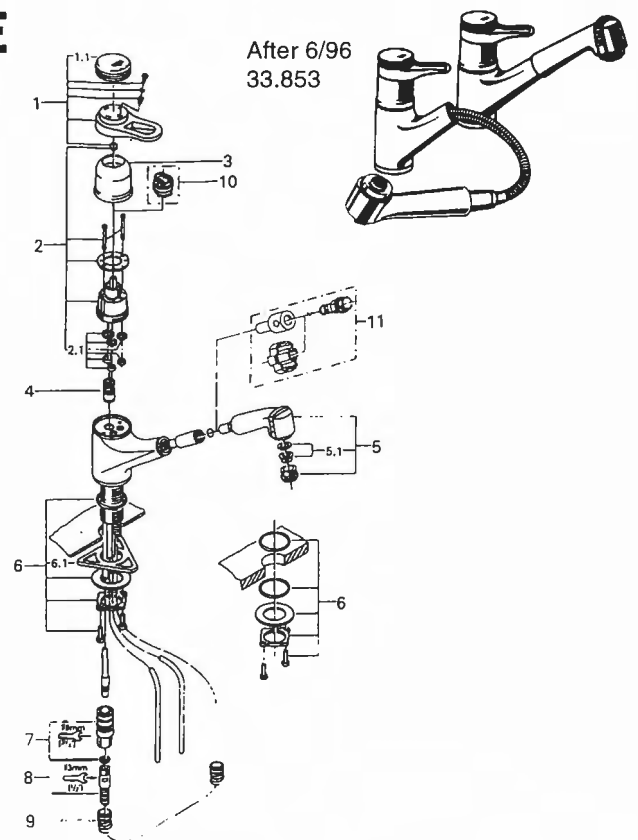
After 6/96
33.853

#33853

Cat. No.	No.	Model #	Description
	1	46129	Lever Set
	1.1	46130	Cover Cap
C5467	2	46048	Cartridge
C5480	2.1	46209	Sealing Kit
	3	01734	Cap
	4	46137	Double-Ball Pipe Ventilator
	5	46136	Hand Held Spray
C5453	5.1	45002	Aerator Set
	6	46078	Mounting Set
	6.1	05334	Brace
	7	46138	Quick Coupling
C5478	8	46092	Spray Hose Assembly
	9	07240	Pressure Spring

Special Accessories

10	46153	Handle Rotation Stop
11	46360	Click Coupling for
	27831	Kitchen Accessories Set
	07543	10" Escutcheon

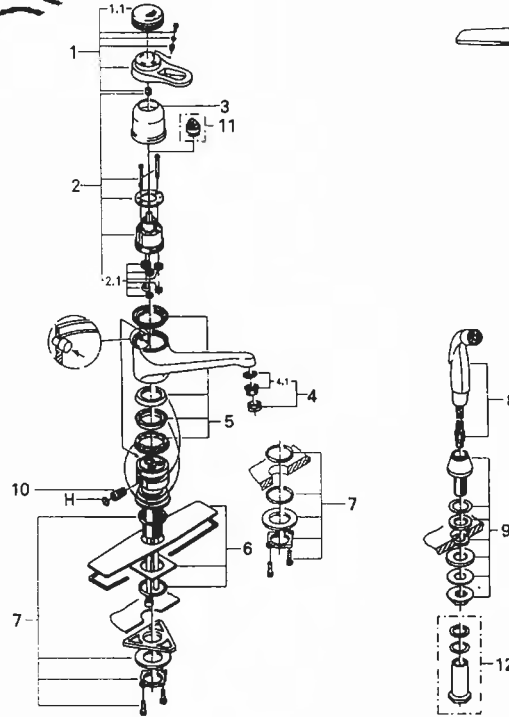
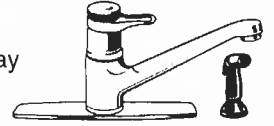


#33864 / 33867

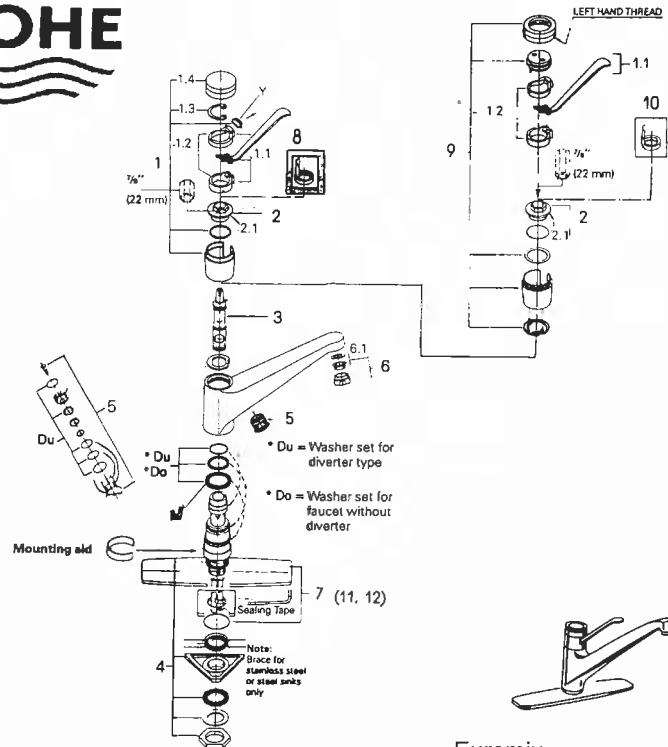
Cat. No.	No.	Model #	Description
	1	46129	Lever Set
	1.1	46130	Cover Cap
C5467	2	46048	Cartridge
C5480	2.1	46209	Seal Kit
	3	01734	Cap
C5447	4	1395	Flow Regulator
C5457	4.1	45220	Flow Regulator Set
C5476	5	46077	Sealing Set Spout
	6	07543	10" Escutcheon
	7	46078	Mounting Set
	8	27844	Spray and Hose
	9	28729	Spray Holder
C5434	10	07970	Diverter Assembly
Special Accessories			
	11	46153	Handle Rotation Stop
	12	12922	2" Extension Kit Spray



33.867 with Spray
33.864 without Spray



Cat. No.	No.	Model #	Description
	1	46.023	Cap & Head Set (without lever)
	1.1		Lever and Supports
C5530	1.2	46.037	Lever Supports
	1.3	05.249	Circlip
	1.4	07.244	Plastic Cap
	1.4	07.249	Metal Cap (optional)
	2	46.022	Head Nut with O-Ring
	2.1	02.967	Head O-Ring
C5430	3	07.000	Cartridge
	4	46.006	Mounting Set M 26 x 1.5
	5	06.655	Diverter
C5447	6	13.955	Flow Regulator Set, Chrome
C5457	6.1	45.220	Flow Regulator Set
	7	07.543	10" Escutcheon
C5474	DU	46.065	Compl. Washer Set for Diverter Set
C5475	DO	46.066	Complete Washer Set
	8	00.069	Temp. Limit Ring (optional)
	9	46.091	Cap and Head Set without Lever (for 33.812)
	10	05.904	Temp. Limit Ring (optional)
	11	08.963	10" Escutcheon with Tie Downs
	12	07.542	6" Escutcheon
	Y		Lever Support

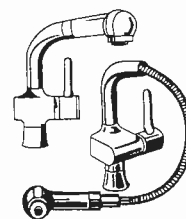
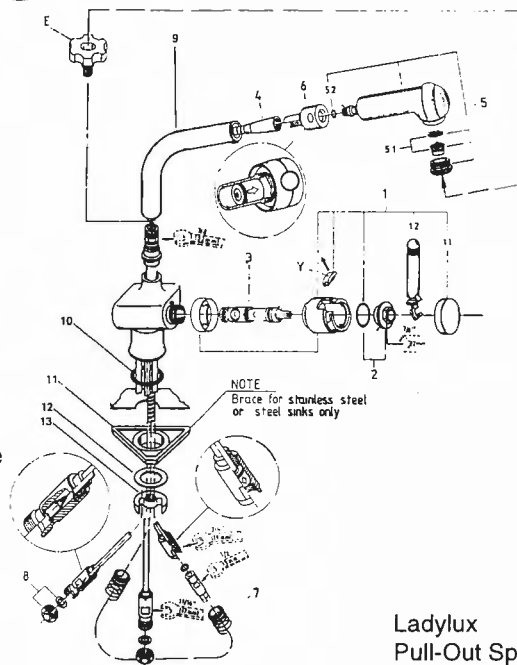


Euromix
33.851 - 10" Cast Spout
33.868 - 8" Cast Spout

GROHE

#33790

Cat. No.	No.	Model #	Description
C5470	1	46049	Lever Head, Almond
C5468	1	46049	Lever Head, Black
C5469	1	46049	Lever Head, White
	1.1	46045	Cover Plate
	1.2	46042	Lever
	2	46022	Headpart with O-Ring
C5430	3	07000	Euromix Cartridge
C5478	4	46092	Spray Hose Assembly
C5472	5	46050	Handheld Spray, White
C5471	5	46050	Handheld Spray, Black
C5473	5	46050	Handheld Spray, Almond
C5453	5.1	45002	Flow Regulator Set
C5423	5.2	01224	O-Ring
C5442	6	08691	Snap Coupling w/Non-Return-Valve
	7	07240	Pressure Spring
	8	12902	Connection Nut Set
	10	01273	O-Ring
	11	05334	Brace
	12	01322	Rubber Washer
	13	03356	Mounting Nut

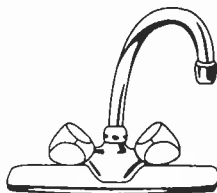
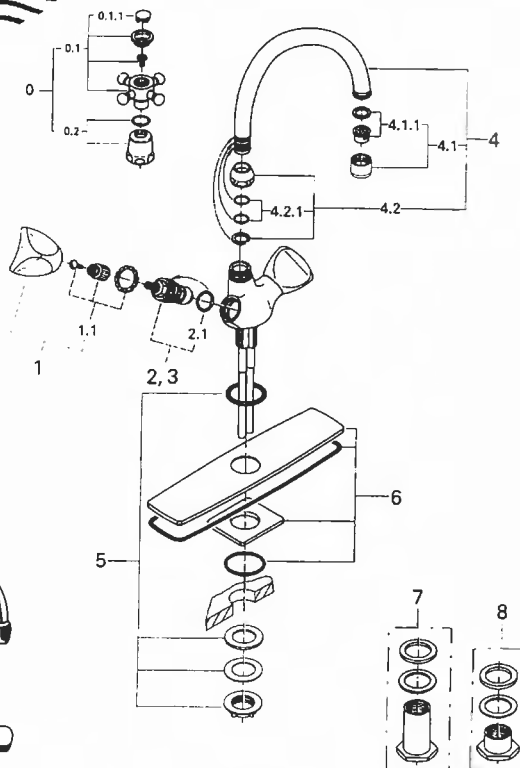


Ladylux
Pull-Out Spray
33.790

#31736

Cat. No.	No.	Model #	Description
	0	45277	Arabesk Handle Complete
	0.1	45678	Arabesk Handle
	0.1.1	45679	Marking Plate
	0.2	45680	Cap Cartridge Arabesk
	1	06486	TDL Handle, neutral
C5452	1.1	45001	Handle Connection Set
C5465	2	45625	Ceramic Cartridge 1/2" 90°, right
	2.1	03924	O-Ring
C5466	3	45626	Ceramic Cartridge 1/2" 90°, left
	3.1	03924	O-Ring
	4	13047	Swivel Spout 7-1/4"
C5444	4.1	13954	Flow Regulator M 22 x 1
C5457	4.1.1	45220	Flow Regulator Set
	4.2	45006	Spout Fitting Set
C5424	4.2.1	01285	O-Ring
	5	45012	Mounting Set
	6	07543	10" Escutcheon
Special Accessories	7	12925	2" Extension Kit
	8	12927	1" Extension Kit


GROHE




Classic 31.736

CARTRIDGES

Compression

- C5432** For all kitchen and lavatory models 
- 07.156 For 3/4" valves 29.225, 29.226
- 07.025 For 3/4" low profile valve
- C5433** For ALL 1/2" models in the 20.000 series, and 29.260, 29.271
- 07.150 For 3/4" valves 29.238, 29.239
- 07.151 For 3/4" valves 29.256, 29.214


Ceramic for Exquisit and Colani Lavs and Kitchens

- C5466** 90° Left Close 
- C5465** 90° Right Close
- C5454** 180° Left Turn
- C5455** 180° Right Turn

For 3/4" Grohmix Thermostat

- 34.542, 34.474 
- C5486** Reverse Cartridge
- C5485** Regular Cartridge

For Pressure Balance Grohmix

- 34.434, 34.485 
- C5487** Reverse cartridge with pressure balance
- C5491** Paraffin cartridge 47.041 With pressure balance

Pressure Balance

- Valve Cartridge for 35.200** 
- C5490** Series and Deluxe

GROHE

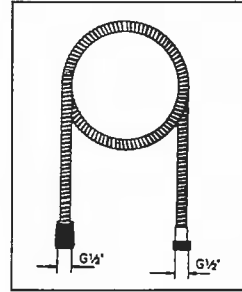
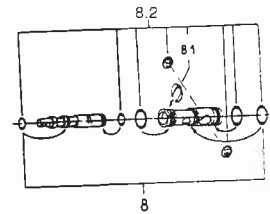
For Grohmix

- 34.540 
- C5484** Regular Cartridge
- 47.016 Reverse Cartridge

For Euromix and Ladylux

- C5430** Single Handle Cartridge 

- C5477** 8.2
- C5430** 07.000 Cartridge 8.



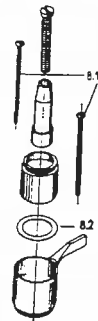
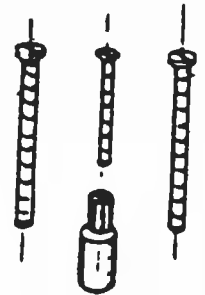
SHOWER HOSES

Duralife Metal Hoses

- C5450** 59" (28 143)
- C5451** 79" (28 145)

Extension for 35,200

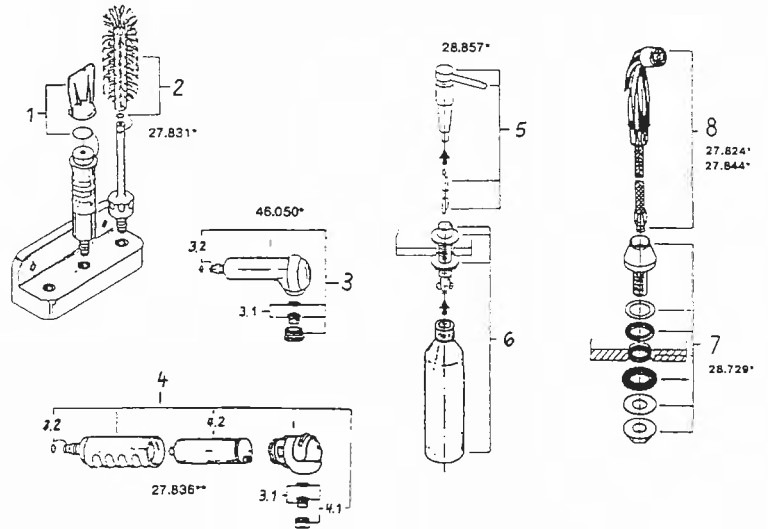
- C5489** 1/2" and 3/4"



Extension for Grohmix

- C5431** 34.434

Cat. No.	No.	Model	Description	Pkg.
C5472	1	46.051	Scraper head	1
	2	46.052	Brush head	1
	3	46.050	Handheld spray, white	1
	3	46.086	Handheld spray, white	1
	3.1	45.002	Set for aerator M 24 x 1	1
	3.2	01.224	O-Ring	5
	4	27.836	Filter spray head	1
	4.1	13.929	Aerator M 24 x 1	1
C5458 CP	4.2	46.083	Filter cartridge	2
	5	C5459 WHT	Head & pump assy. C5460 ALM	
C5461		(Pump Only)		
	6	45.261	Mounting set and bottle	1
	7	28.729	Spray holder	1
	8	27.824	Spray and hose	1
	8	27.844	Spray and hose (chrome ring)	1

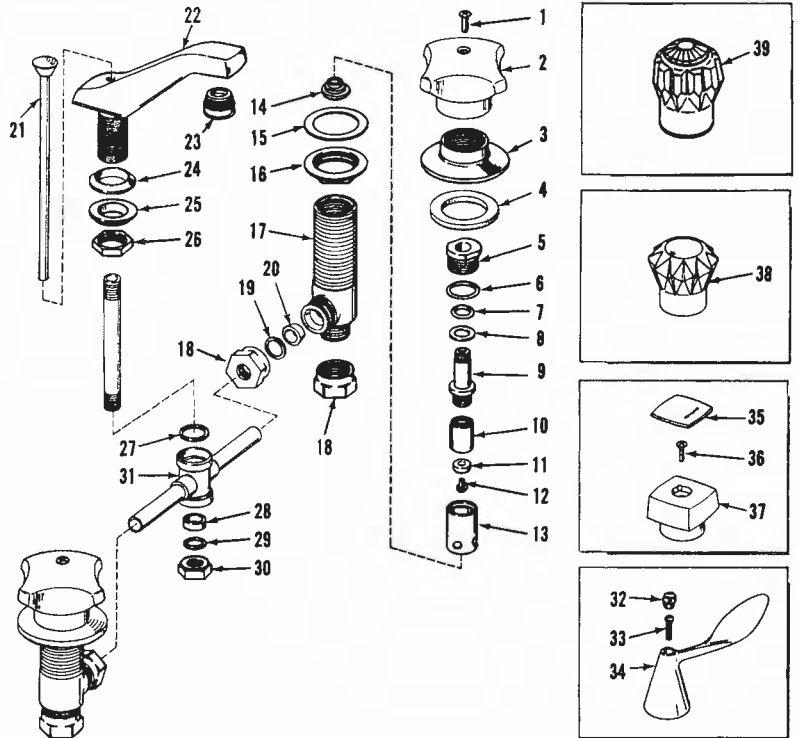


934 S.E. Sixth Avenue • Portland, Oregon 97214 • (503) 235-2167 • (800) 929-5039 • Fax (503) 239-3774

KOHLER®

Model Numbers
 K-6952 (Alterna),
 K-7436-FL (Flair),
 K-7436-DB (Flair II),
 K-7436-T (Triton II),
 K-13339 (Finesse)

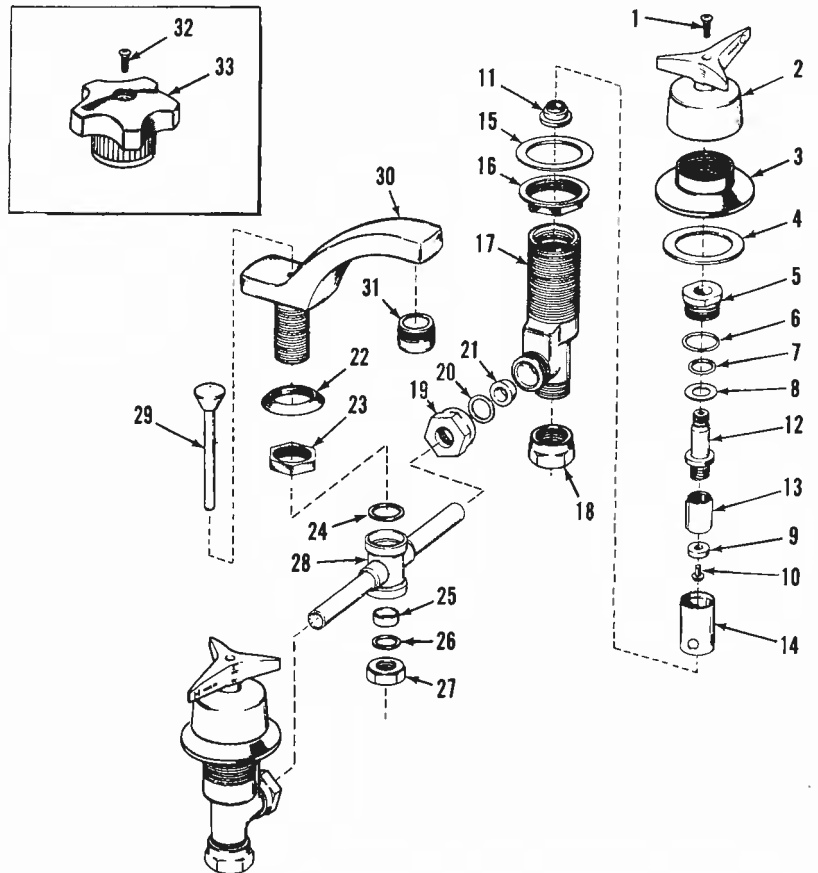
Ordering Options	
Item	Part No. or Kit
1	30097
2	30021
3	30078
4	35715
5	20475
6 thru 14	C1643
	C1644
15, 16	30231
17	34303
18	30230
19, 20	30229
21	51196, 29701
22	29709, 29710
23	41007
24 thru 30	30229
31	35821*
32	30335
33	30336
34	30333
35	C1641
36	30105
37	29718
38, 39	30037
	43267



KOHLER®

Model Numbers
 K-7416, K-7417, K-7419 (Triton)
 K-7436, K-7437, K-7439 (Constellation)

Ordering Options	
Item	Part No. or Kit
1	C1660
2	30030
3	30078
4	35715
5	20475
6 thru 14	C1643
	C1644
15, 16	30231
17	C1735
18, 19	30230
20 thru 27	30229
28	35823
29	51196
30	29709, 29710
31	41007
32	30109
33	30019



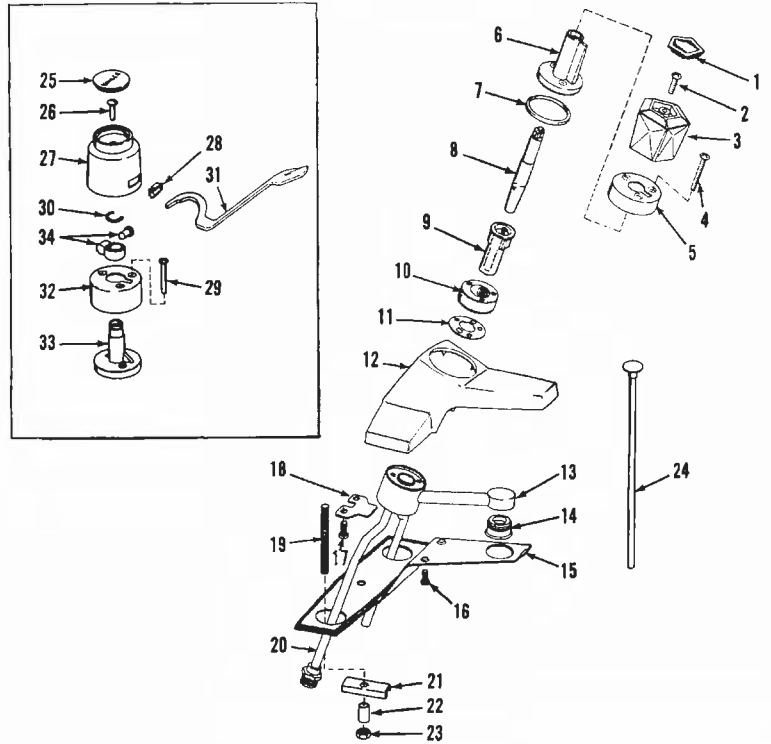
156

Ordering Options	
Item	Part No. or Kit
1	C1818
2	42351
3	C1816
4	
5	30222
6, 7	C1820
8	
9	
10	C1652
11	
12	*
13	
14	C1651
15	42341
16 thru 19	30221
20	*
21, 22, 23	30219
24	20340
25	42355
26	42121
27	42187
28	42158
29	30226 includes 38, 33
30	M, N
31	42107
32	42109
33	
34	30225

2830 Lever conversion
item 25 thru 33 42171

KOHLER®

Model Numbers
K-6882, K-6883 (Centura)

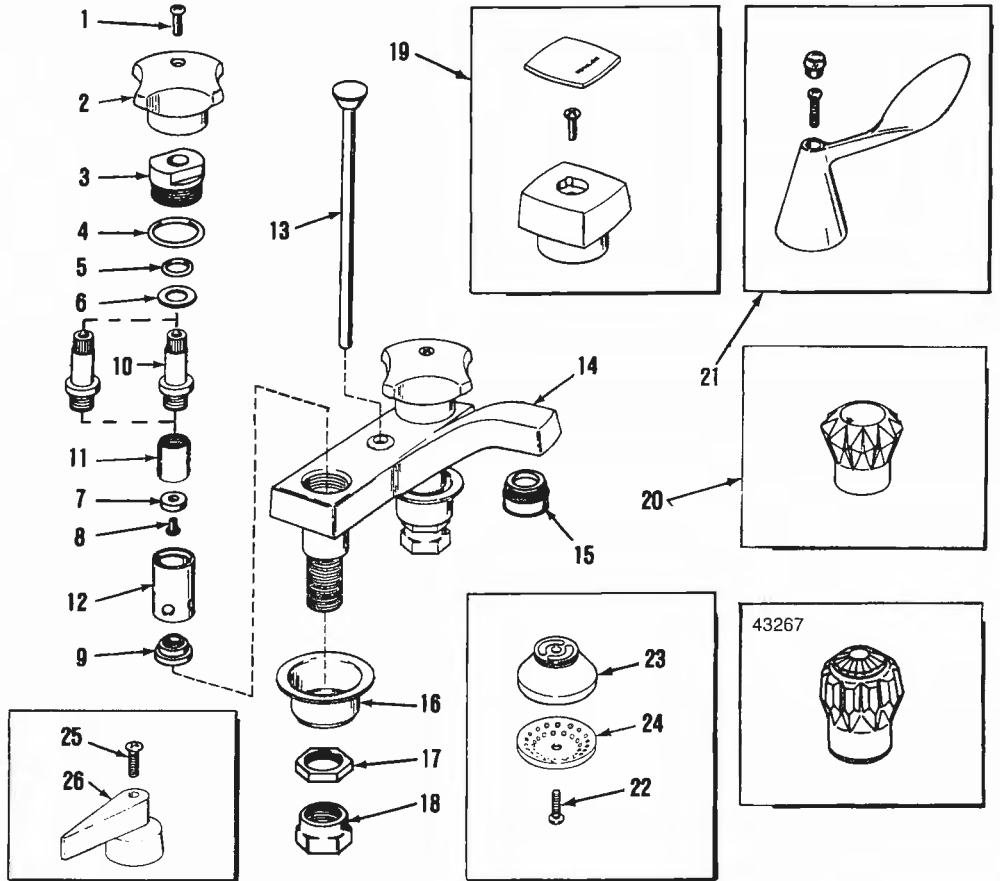


* Not available as a service part.

KOHLER®

Model Numbers
K-6950 (Alterna), K-7401-DB (Flair II),
K-7401-FL (Flair), K-7401-T, K-7401-TL,
K-7403-TL, K-7404-TL (Triton II)
K-7408-TL (Triton II), K-13360 (Finesse)

Ordering Options	
Item	Part No. or Kit
1	30097
2	58931
3	34260
4 thru 12	C1644 Cold C1643 Hot
13	51196
14	*
15	C1651
16, 17, 18	30227
19	L
20	30037
21	30334
22, 23	34394
24	34394
25	33357
26	38615



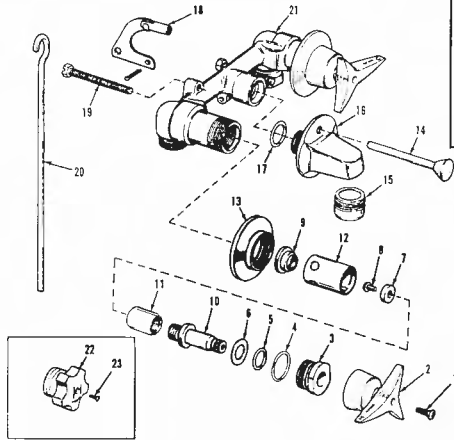
157

934 S.E. Sixth Avenue • Portland, Oregon 97214 • (503) 235-2167 • (800) 929-5039 • Fax (503) 239-3774

KOHLER®

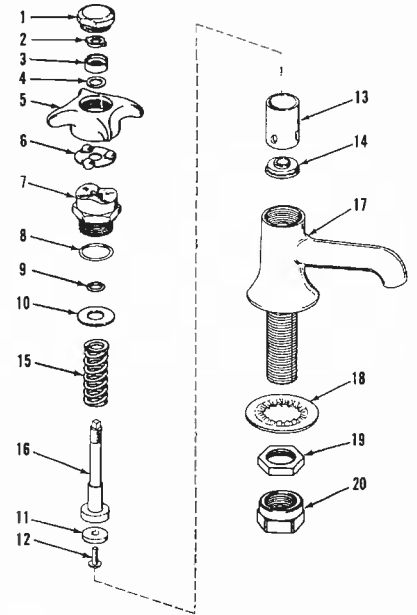
Model Numbers
K-7450 (Constellation),
K-8040 (Triton)

Ordering Options	
Item	Part No. or Kit
1	30107
2	30027
3	20475
4 thru 12	C1643 Cold C1644 Hot
13	30085
14	34349
15	41007
16	34435
17	40933,
18	34898,
19	30113
20	51198
21	*
22	30026
23	30109



Model Number K-7500 Sentry

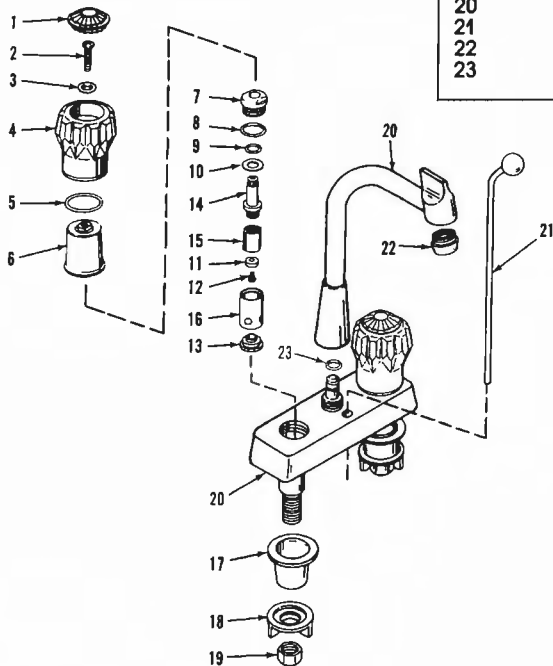
Ordering Options	
Item	Part No. or Kit
1	33236
2, 3, 4	30243
5	33237
6	31537
7	34941
8 thru 14	30125
15	35563
16	34988
17	*
18, 19, 20	30228



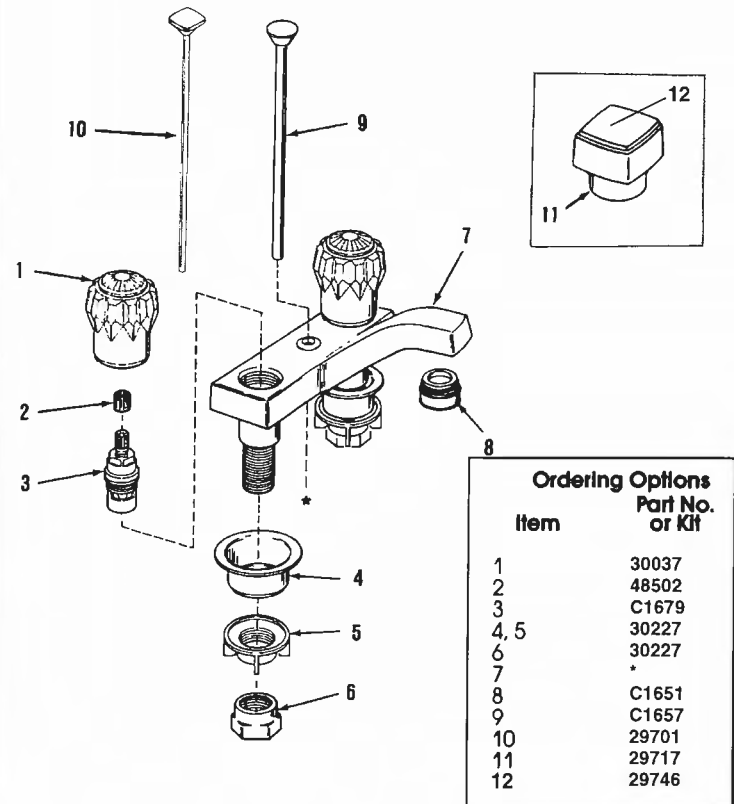
KOHLER®

Model Number K-7412 (Flair II)

Ordering Options	
Item	Part No. or Kit
1 thru 6	30037
7	34260
8 thru 16	C1643
17, 18, 19	*
20	*
21	40156
22	*
23	42045



Model Numbers K-7401-FCV (Flair II), K-6950-CV (Altern)

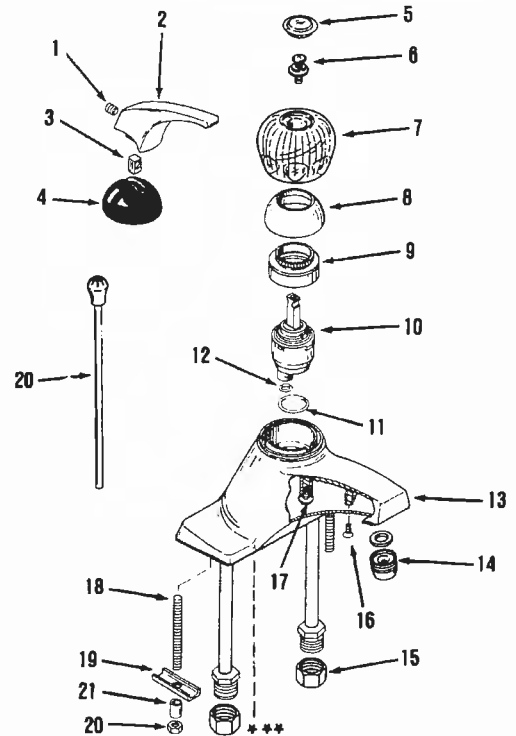


Ordering Options	
Item	Part No. or Kit
1	30037
2	48502
3	C1679
4, 5	30227
6	30227
7	*
8	C1651
9	C1657
10	29701
11	29717
12	29746

KOHLER®

Model Number K-15181 (Coralais)

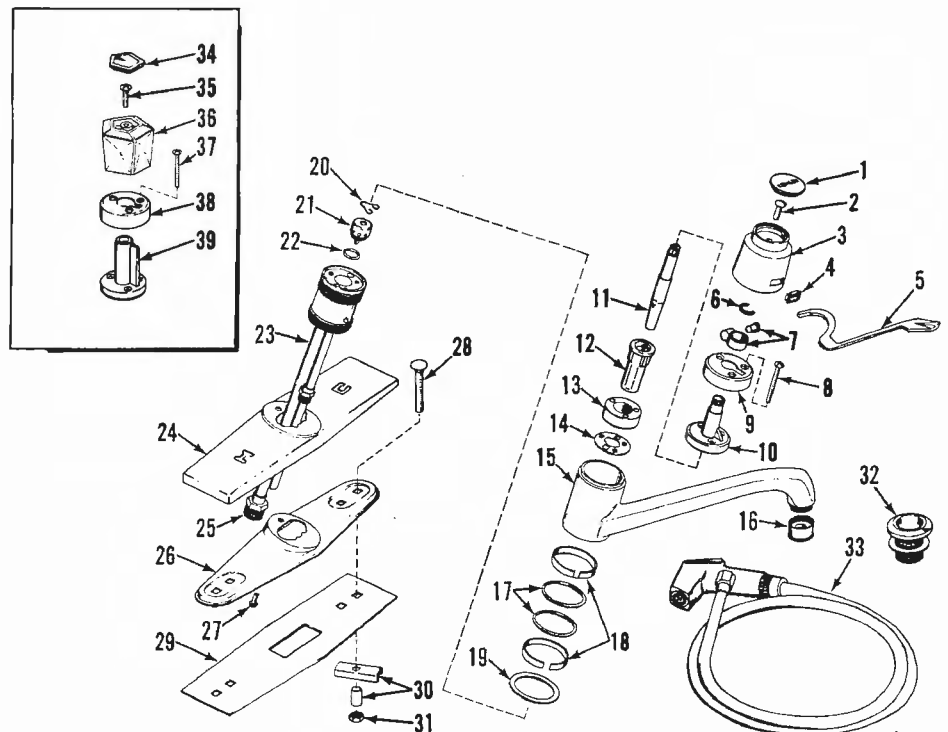
Ordering Options	
Item	Part No. or Kit
1, 2, 3	30414
4	500363
5, 6, 7	C1677
8	500353
9	500352
10	C1676
11, 12	C1676
13	*
14	C1651
15	30230
16, 17, 18	30417
19, 20	30219
21	70422



KOHLER®

Model Numbers
K-6895, K-6897, K-6896-K (Centura)

Ordering Options	
Item	Part No. or Kit
1	C1817
2	42121
3, 4	42187
5	42107
6, 7	30225
8, 9, 10	30226
11 thru 14	C1652,
15	C1820
16	42129
17, 18, 19	30249
20, 21, 22	C1653
23	*
24	42102
25	35607
26	42101
27, 28	30250
29	42159
30, 31	30219
32	C1571
33	20816
34	C1818
35	C1815
36	C1816
37, 38, 39	30222
1 thru 10	42171

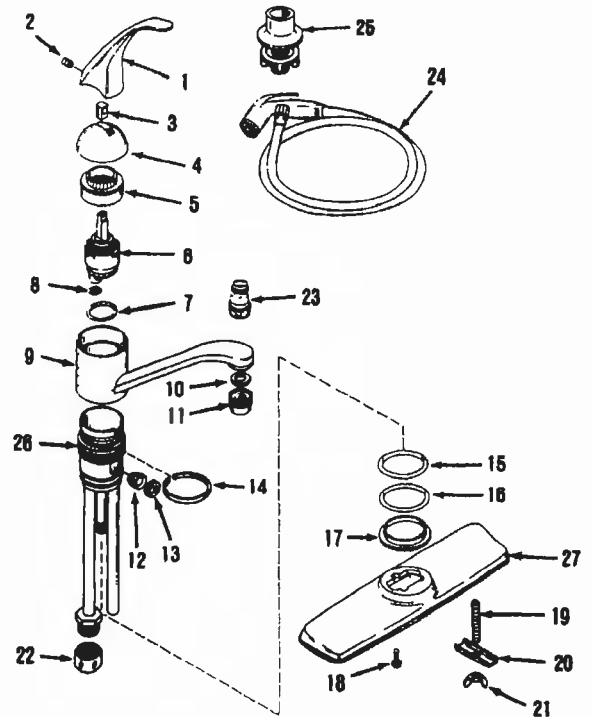


934 S.E. Sixth Avenue • Portland, Oregon 97214 • (503) 235-2167 • (800) 929-5039 • Fax (503) 239-3774

KOHLER®

Model Number K-15171 (Coralais)

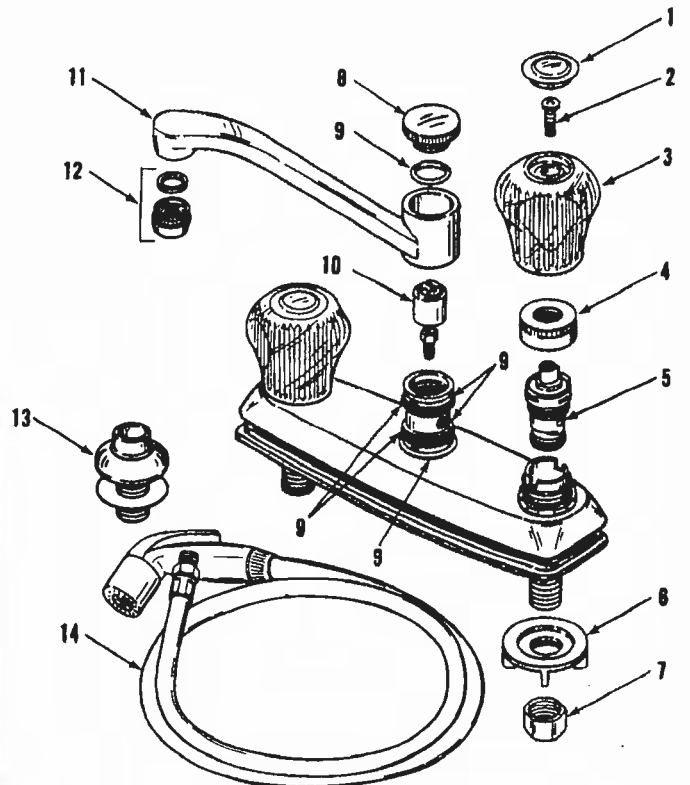
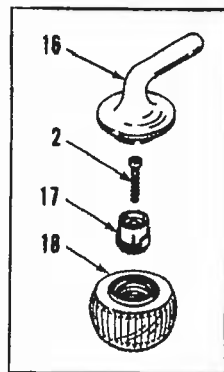
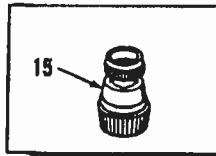
Ordering Options	
Item	Part No. or Kit
1, 2, 3	30423
4	500363
5	71509
6	C1676
7, 8	C1676
9	71636
10, 11	C1651
12, 13	C6211
14 thru 17	30420
18 thru 21	30421
22	30230
23	30456
24	38613
25	C1571
26, 27	*



KOHLER®

Model Number K-15251 (Coralais)

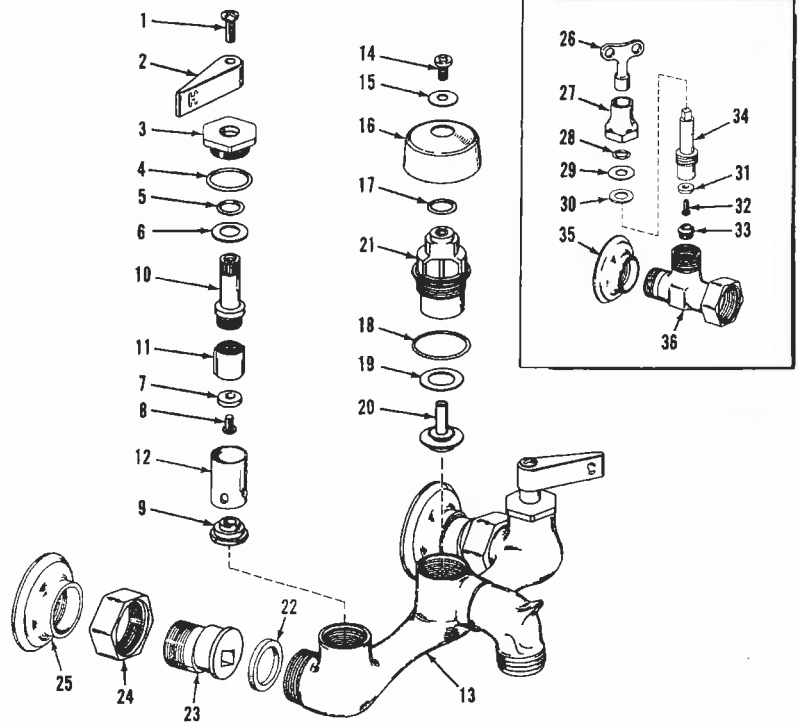
Ordering Options	
Item	Part No. or Kit
1	70275
2	70276
3	70274
4	70430
5	70127C, 70415H
6, 7	30228
8	70440
9	70156
10	20854
11	70416
12	C1651
13	C1571
14	20816
15	30456
16	70457
17	70457
18	70456



KOHLER®

Model Numbers K-8905, K-8906 Service Sink

Ordering Options	
Item	Part No. or Kit
1	30105
2	30025
3	34365
4 thru 12	C1643 Cold C1644 Hot *
13	
14 thru 20	30253
21	41303
22	41050
23, 24	41050
25	41050
26	32338
27	32486
28 thru 33	30300
34	31944
35	30093
36	31660

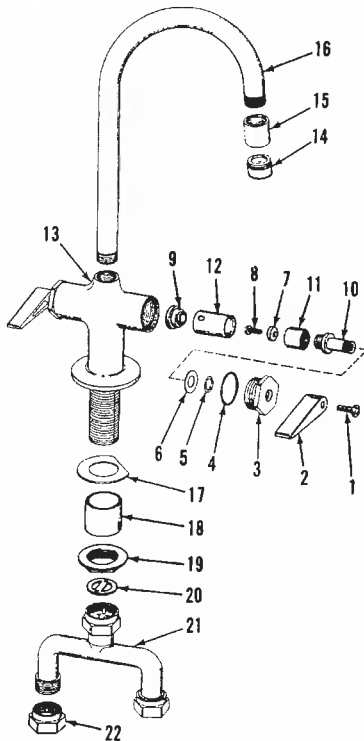


* Not available as a service part.

KOHLER®

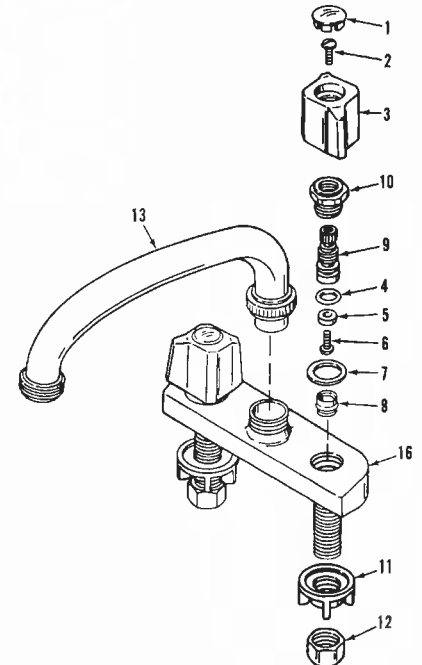
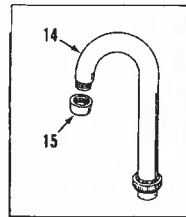
Model Number K-7894 Pantry Faucet

Ordering Options	
Item	Part No. or Kit
1	30105
2	30025
3	34365
4 thru 12	C1643 Hot C1644 Cold *
13	
14	41056
15	34503
16	40978
17	33007
18	33014
19	22531
20	32992
21	31886
22	30230



Model Numbers
K-11933 Trend Bar Sink W/Gooseneck
K-11935-R Trend Laundry Tray Fitting

Ordering Options	
Item	Part No. or Kit
1	C1642
2	30098
3	C1578
4 thru 10	30395 Hot 30396 Cold
11,12	30228
13	40110
14	40112
15	37725
16	*



161

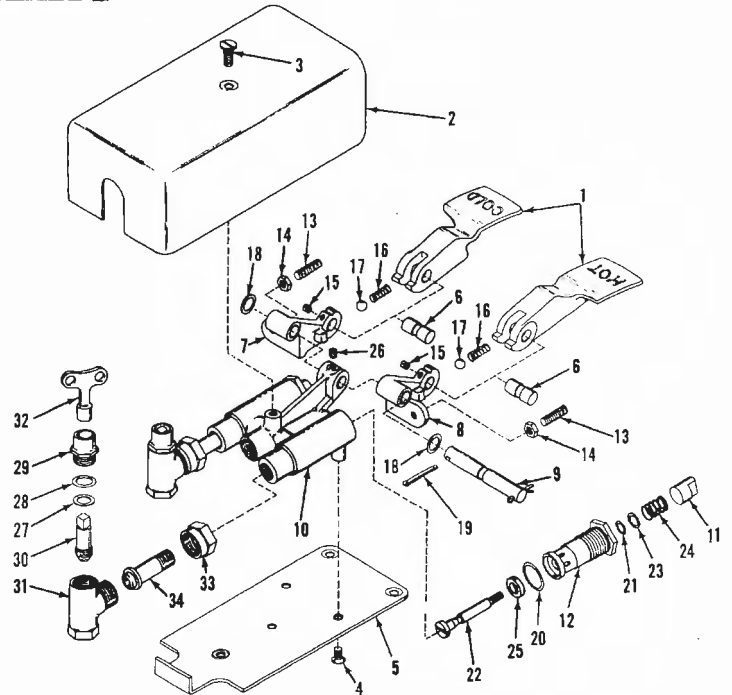
KOHLER

Model Numbers

K-13808 Floor-Mounted Pedal Valve

K-13812 Cold Water Only

Ordering Options	
Item	Part No. or Kit
1	30066
2	36279‡
3	36280‡
4	36278
5	36277
6	C1753 36271
7	36265
8	36266
9	36267
10	36256
11	C1752 36258
12	36257
13, 14	30265
15 thru 26	C1673
27 thru 31	35103
32	32338
33	30230
34	36284

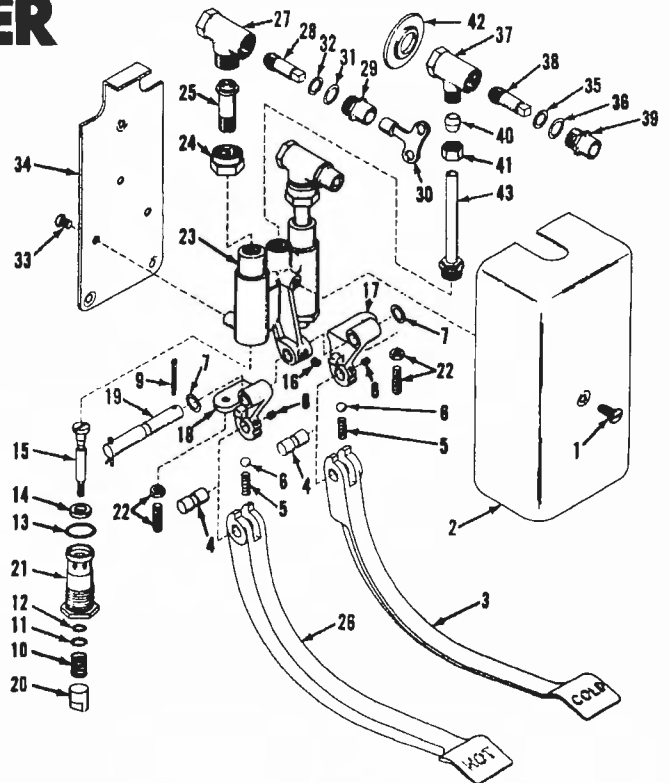


Model Numbers

K-13816 Foot Control Mixing Valve

K-13817 Cold Water Only

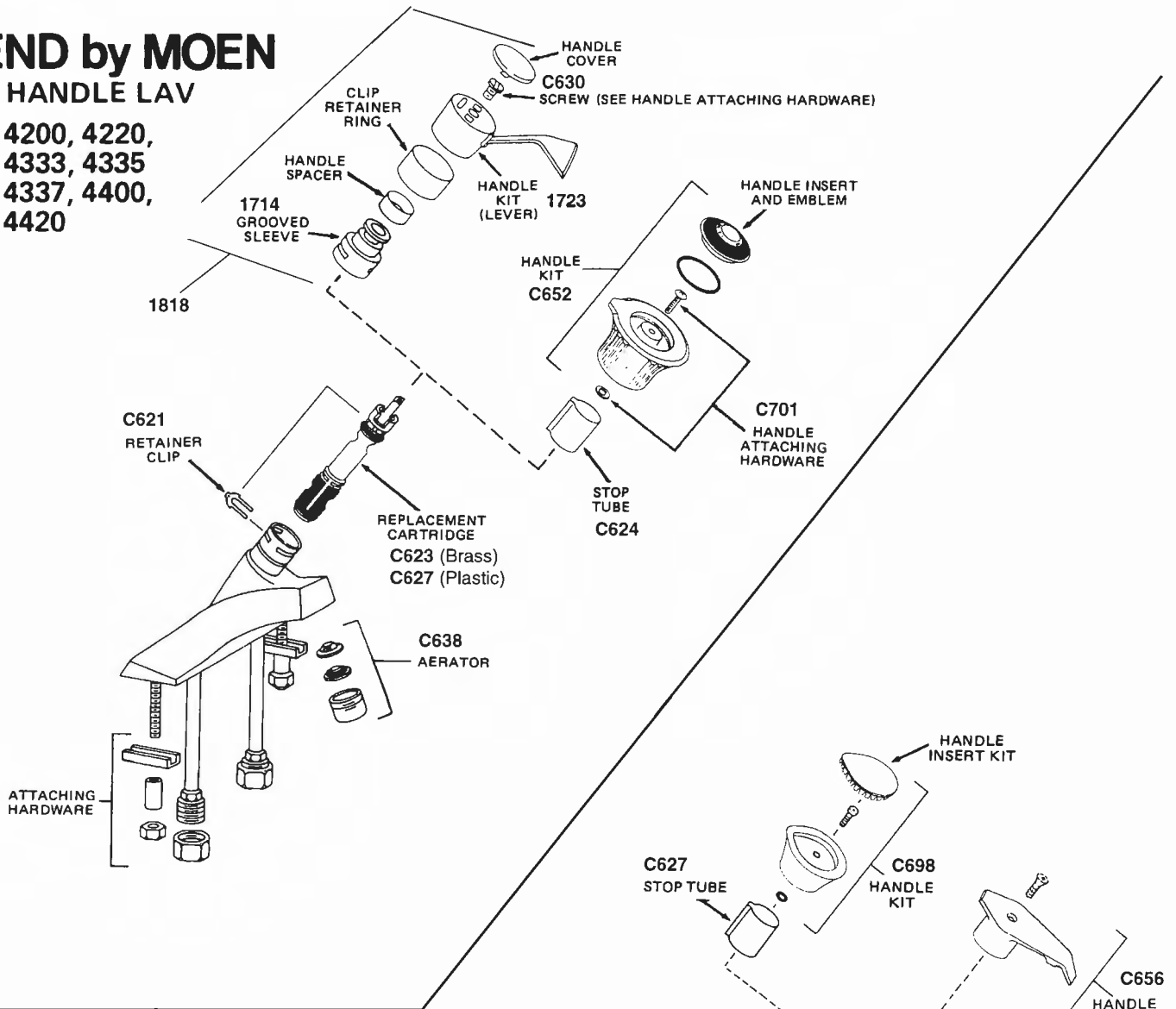
Ordering Options	
Item	Part No. or Kit
1	36280‡
2	36279‡
3	36275‡
4	C1753
5 thru 16	C1673
17	36265
18	36266
19	36267
20	C1725 36258
21	36257
22	30625
23	36256
24	32751
25	36284
26	36276‡
27 thru 32	35103
33	36278
34	36277
35 thru 41	34167
42	20631
43	41326



LEGEND by MOEN

SINGLE HANDLE LAV

Models 4200, 4220,
4333, 4335
4337, 4400,
4420

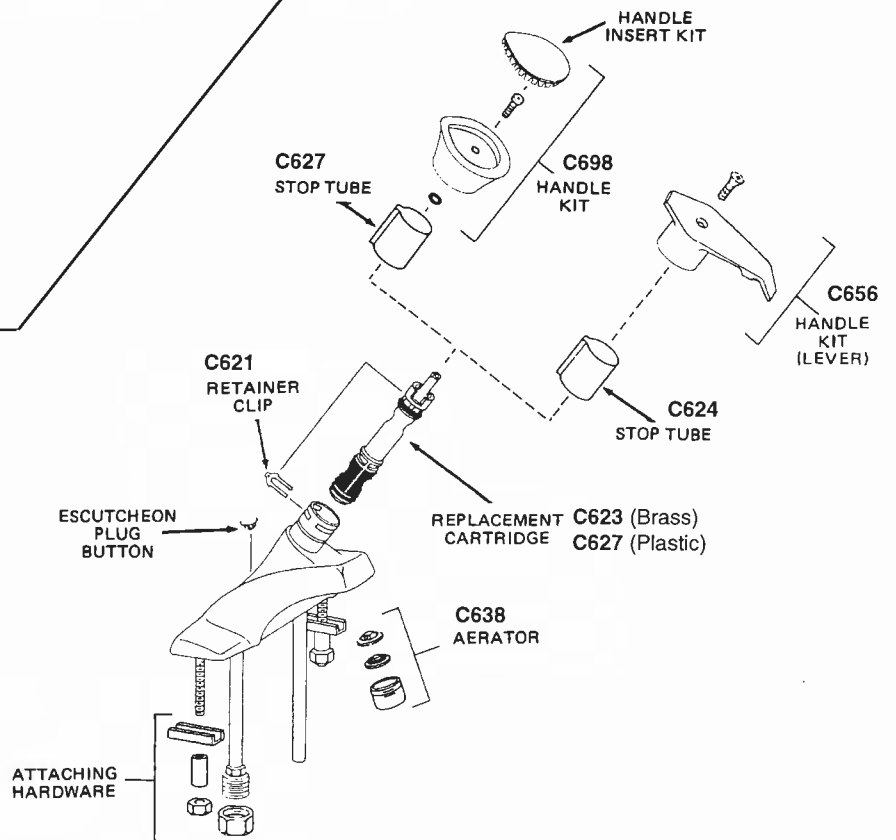


CHATEAU by MOEN

SINGLE HANDLE LAV

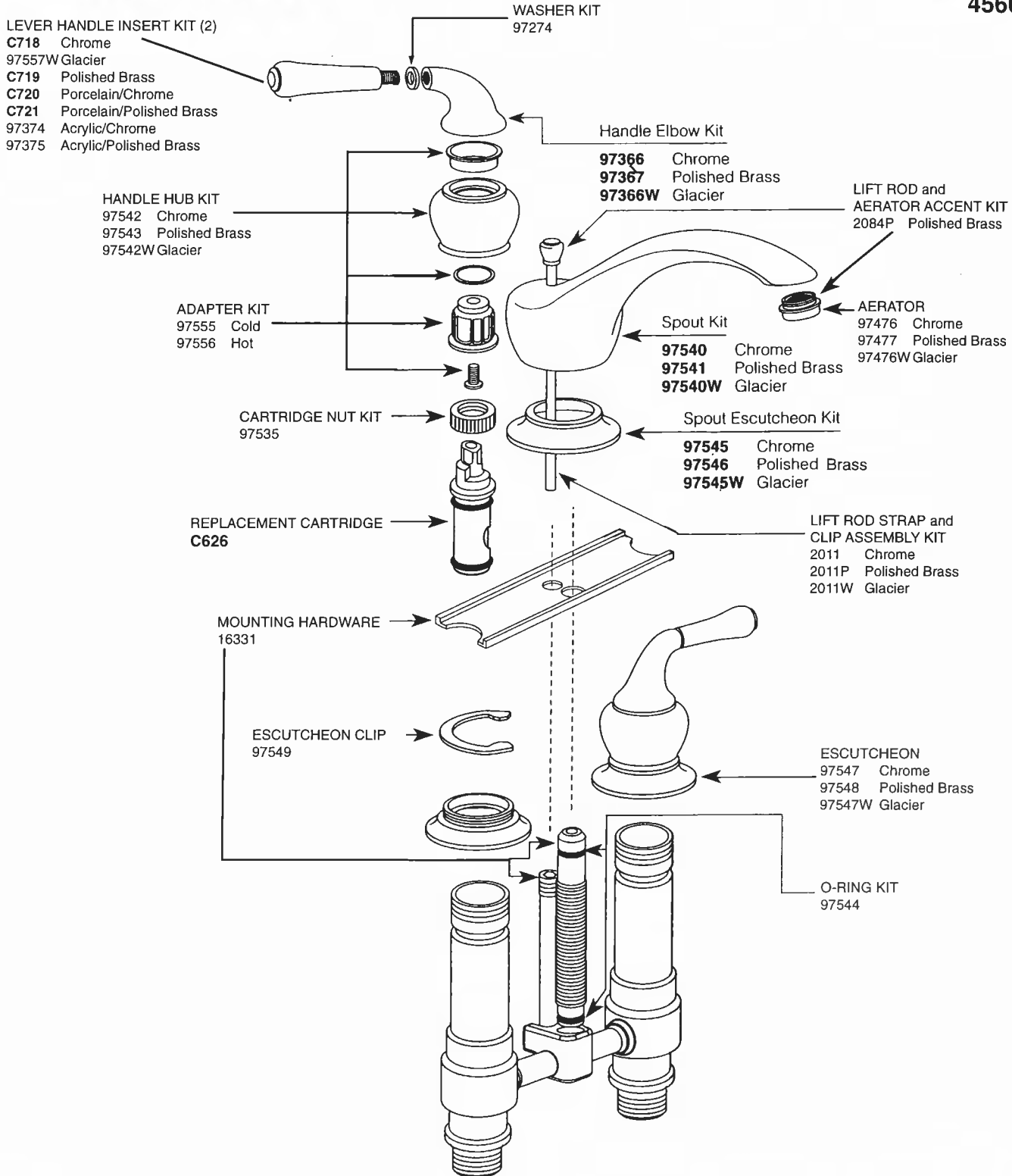
Models 4600A, 4601A, (KNOB)
4621A, 4625A,
74625, 74626,
74627, 74628,
74629, 74630,
74632, 74633

4675A, 4676A, (LEVER)
4695A, 4696A





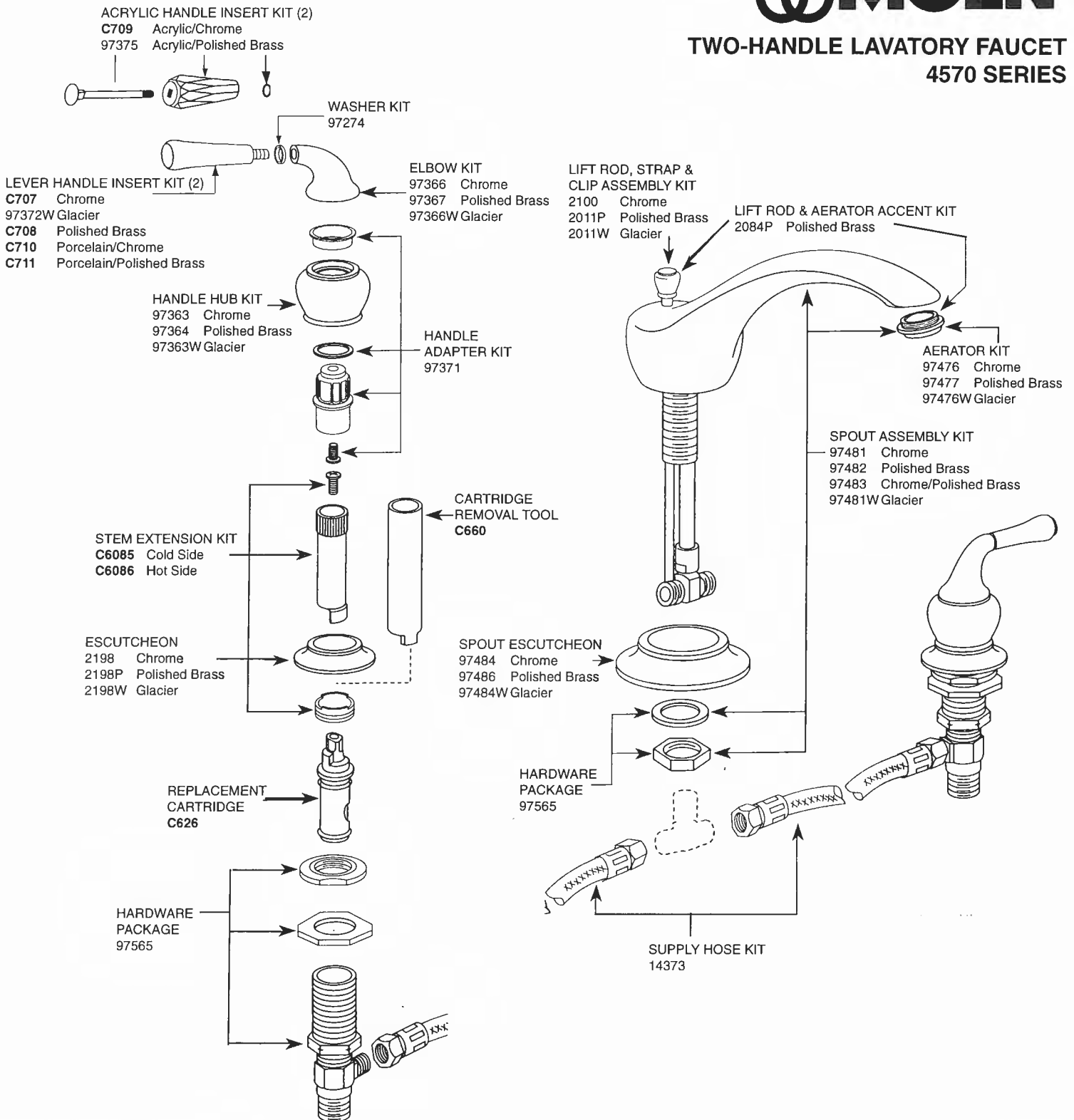
**TWO-HANDLE LAVATORY FAUCET
 4560 SERIES**



164

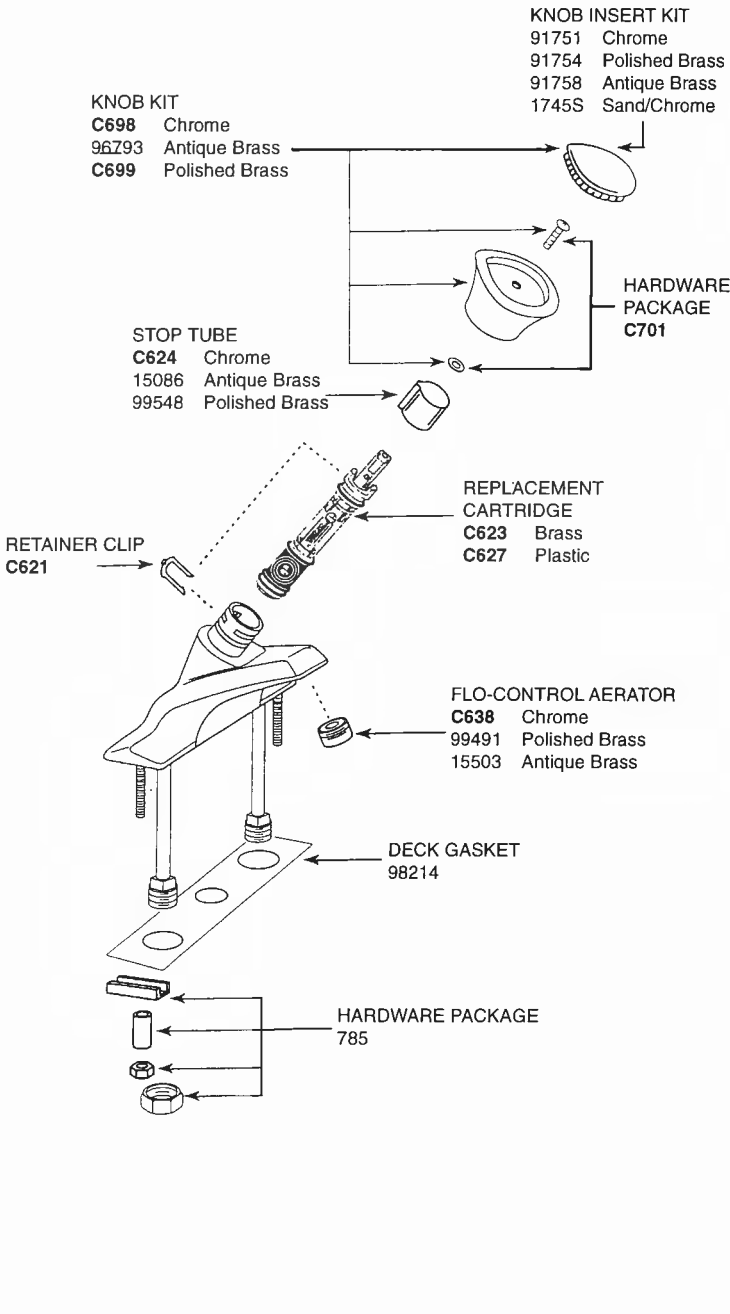


**TWO-HANDLE LAVATORY FAUCET
4570 SERIES**

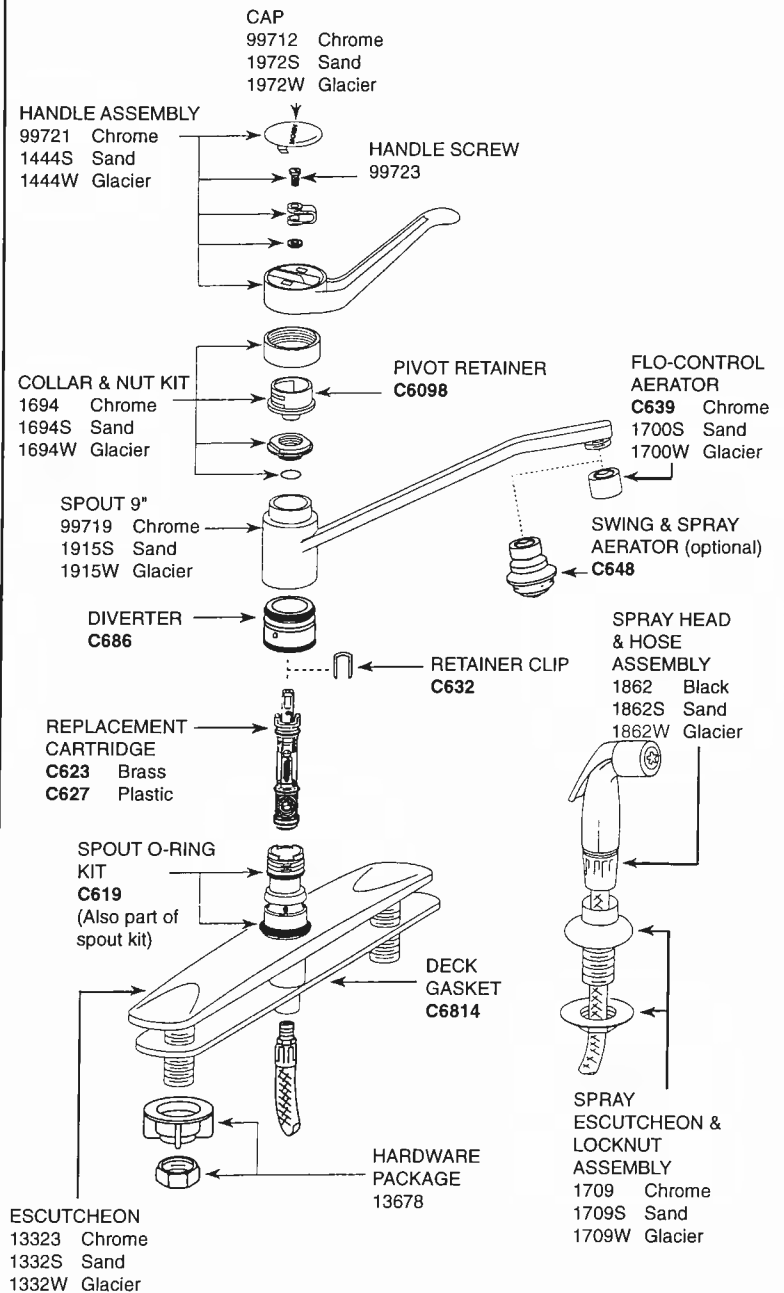




**SINGLE-HANDLE LAVATORY FAUCET
 4621 SERIES**



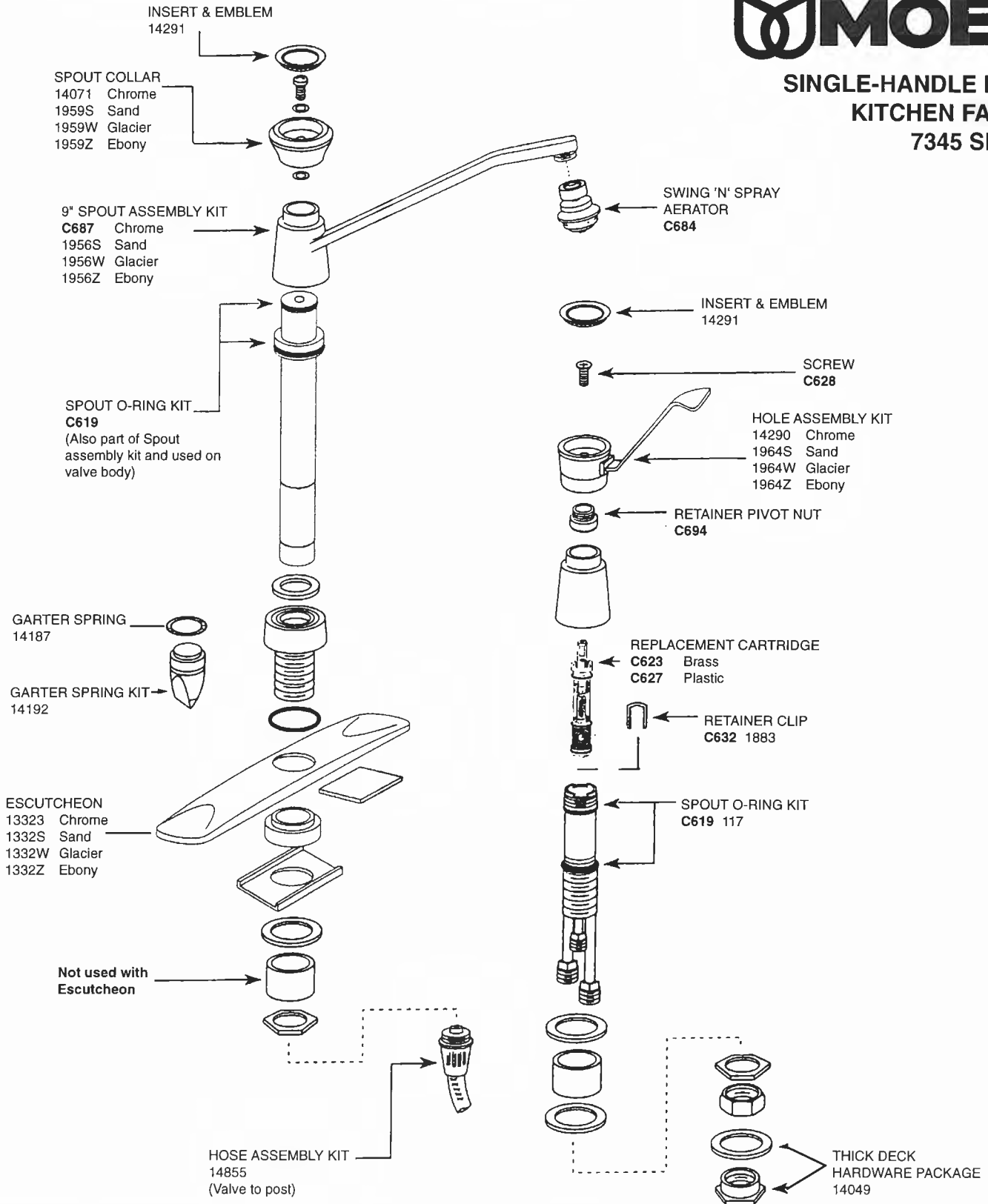
**SINGLE-HANDLE KITCHEN FAUCET
 7210 SERIES**



166

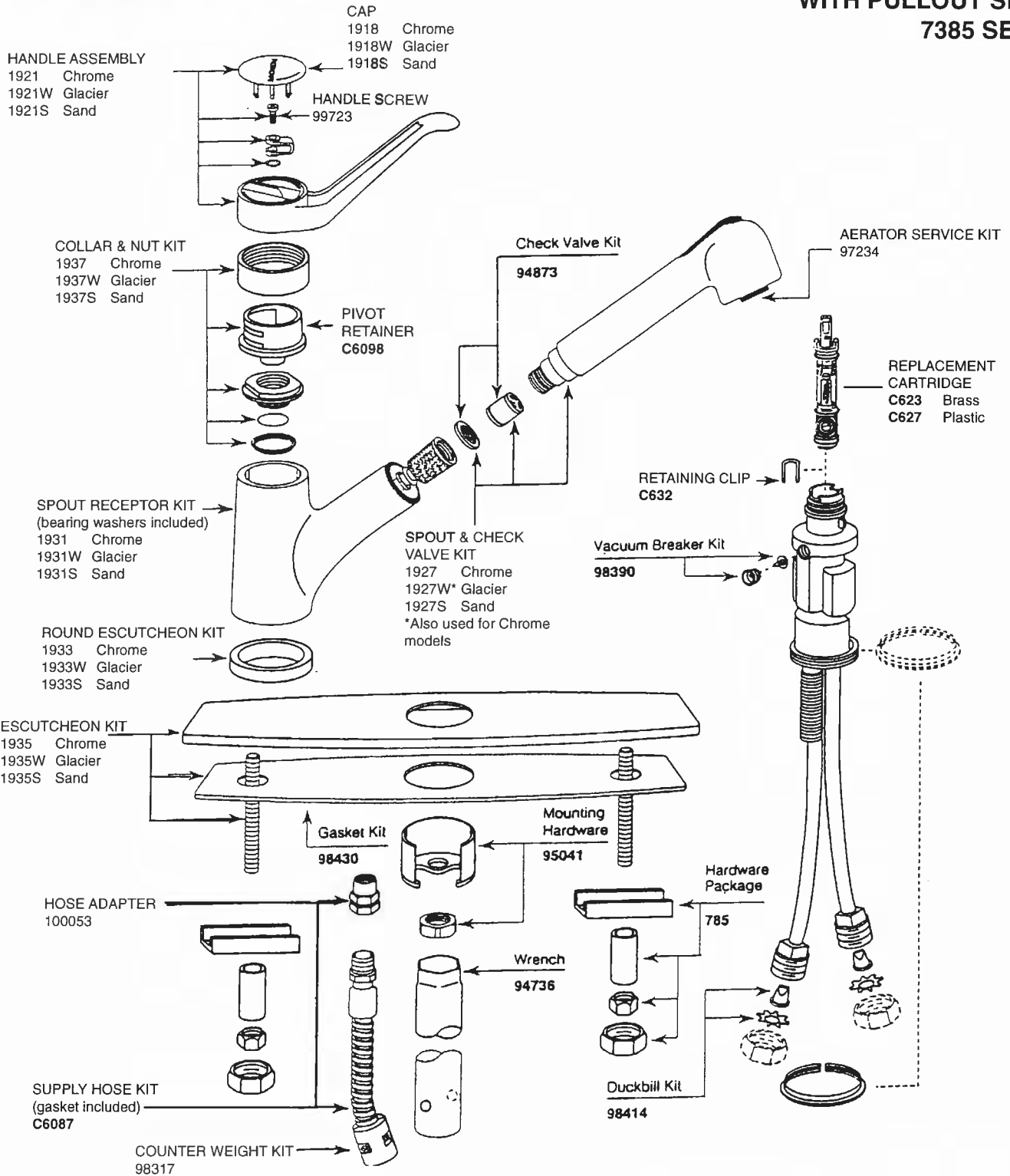


**SINGLE-HANDLE RISER
KITCHEN FAUCET
7345 SERIES**





**SINGLE CONTROL KITCHEN FAUCET
 WITH PULLOUT SPRAY
 7385 SERIES**

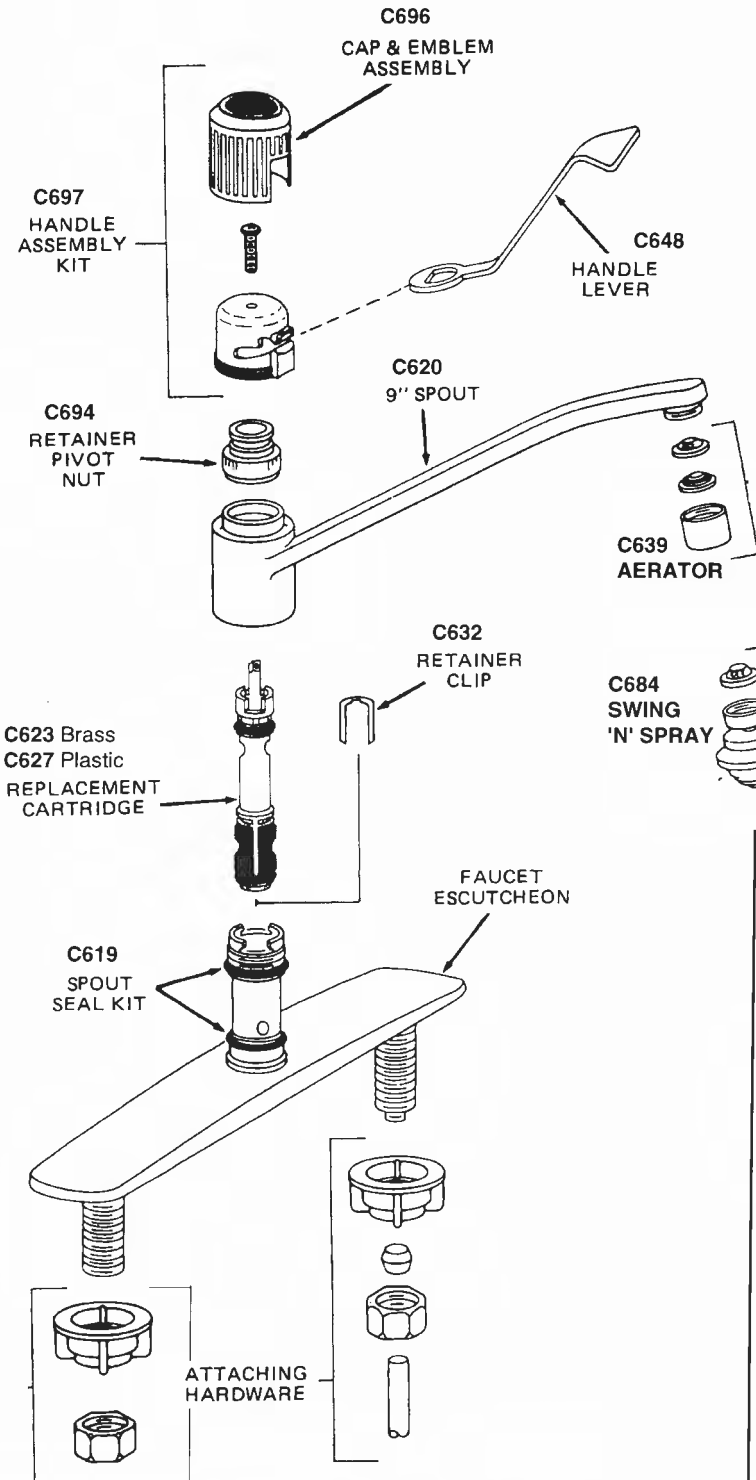


168

CHATEAU by MOEN

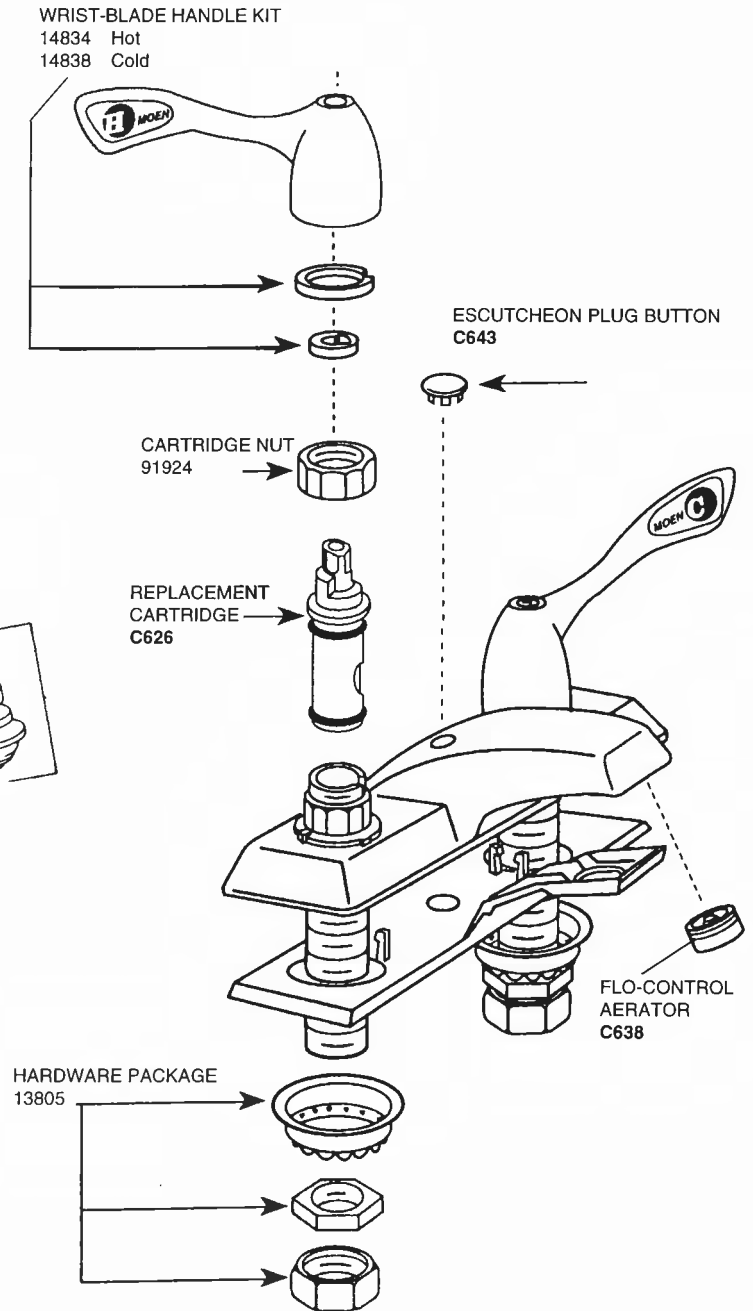
SINGLE HANDLE (LEVER) KITCHEN DECK

Models 7531B, 7533B,
7536B, 7538B



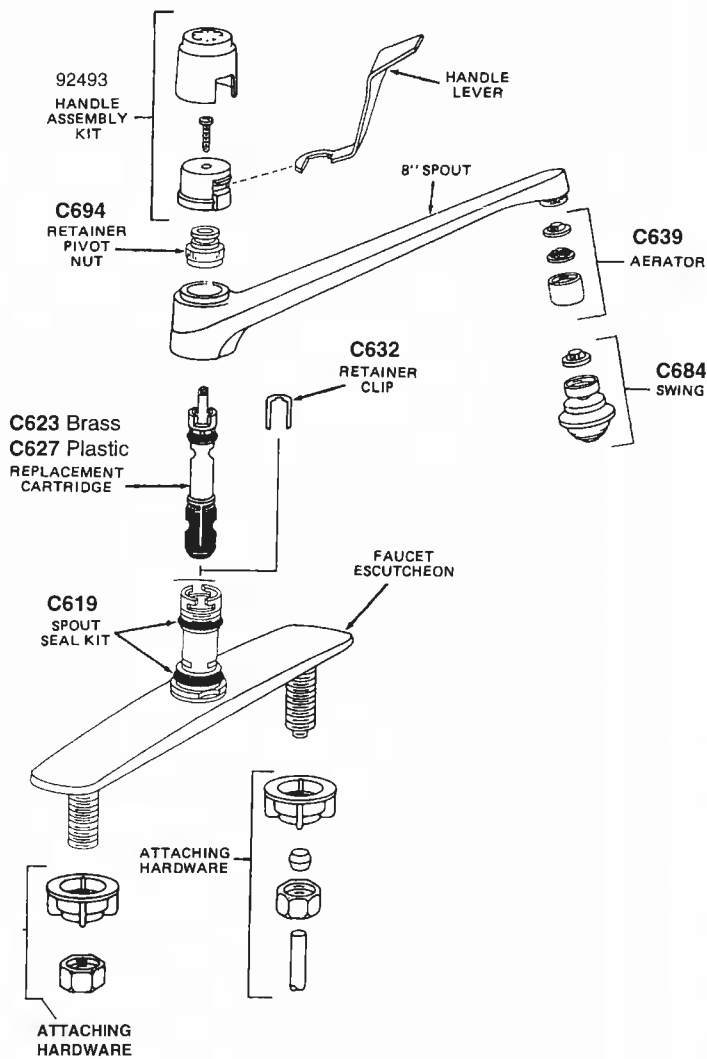
MOEN®

TWO-HANDLE LAVATORY FAUCET 8800 SERIES



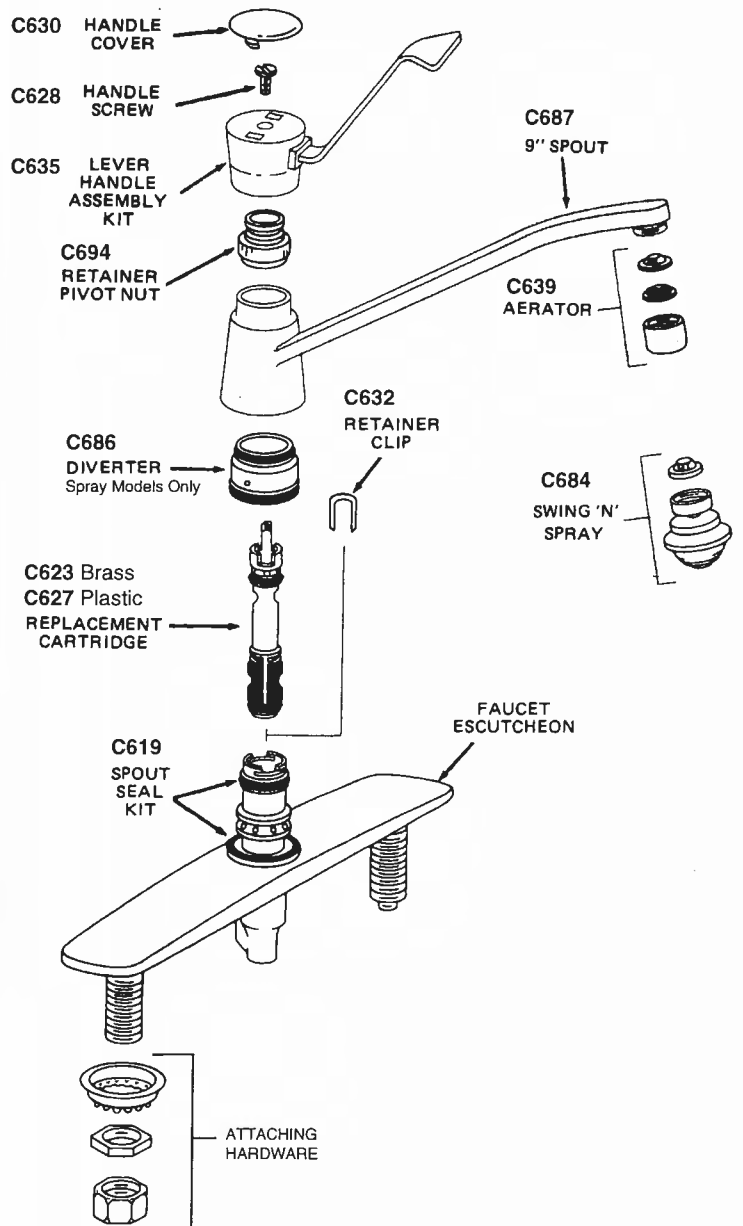
CHALET by MOEN

SINGLE HANDLE (LEVER) KITCHEN DECK Models 7631A, 7632A, 7633A



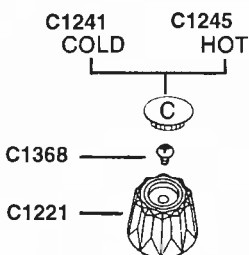
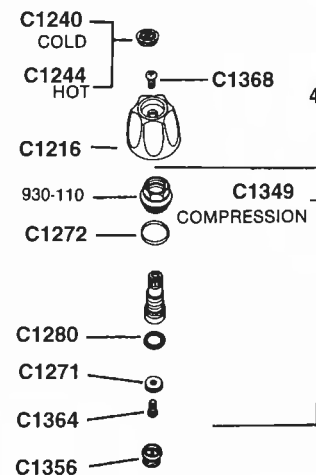
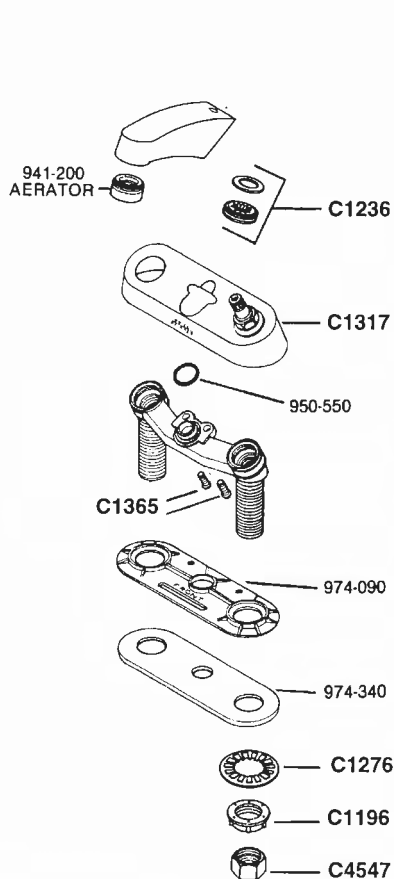
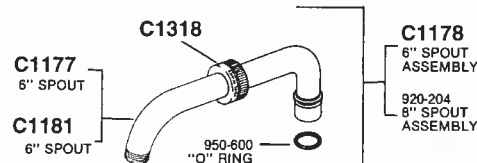
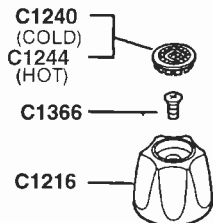
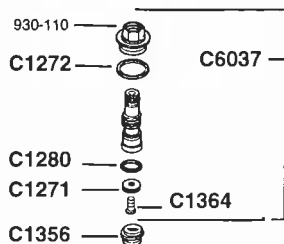
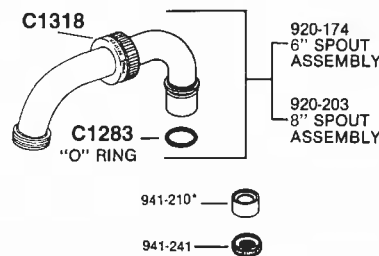
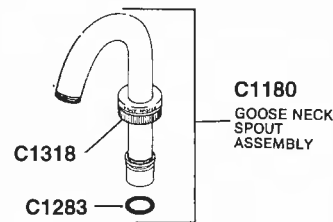
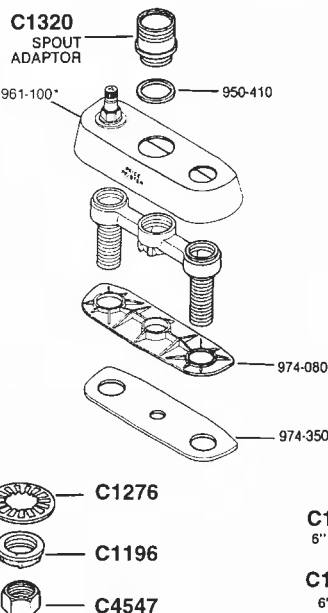
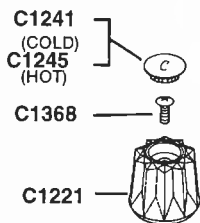
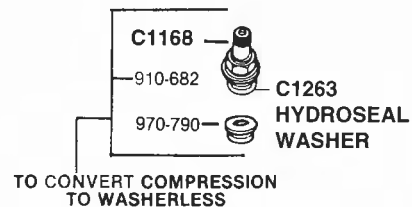
LEGEND by MOEN

SINGLE HANDLE (LEVER) KITCHEN DECK Models 7300, 7305, 7310

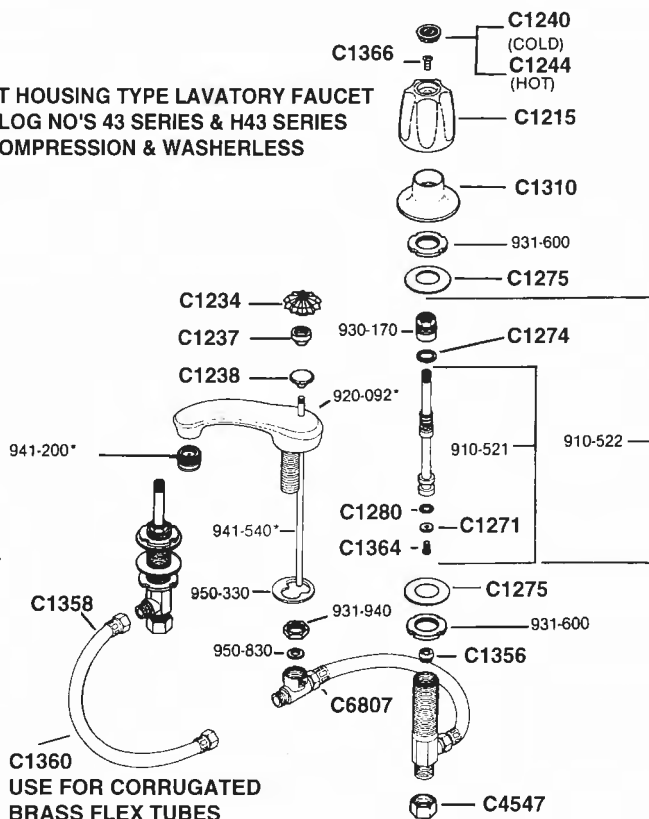




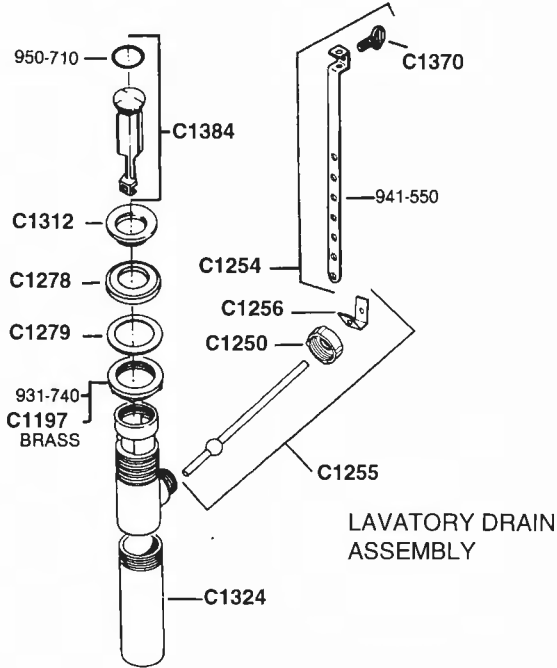
**4" LAUNDRY TRAY AND BAR FAUCETS
CATALOG NO. 71 SERIES**



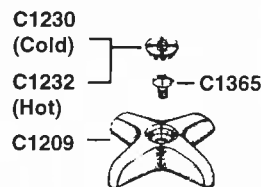
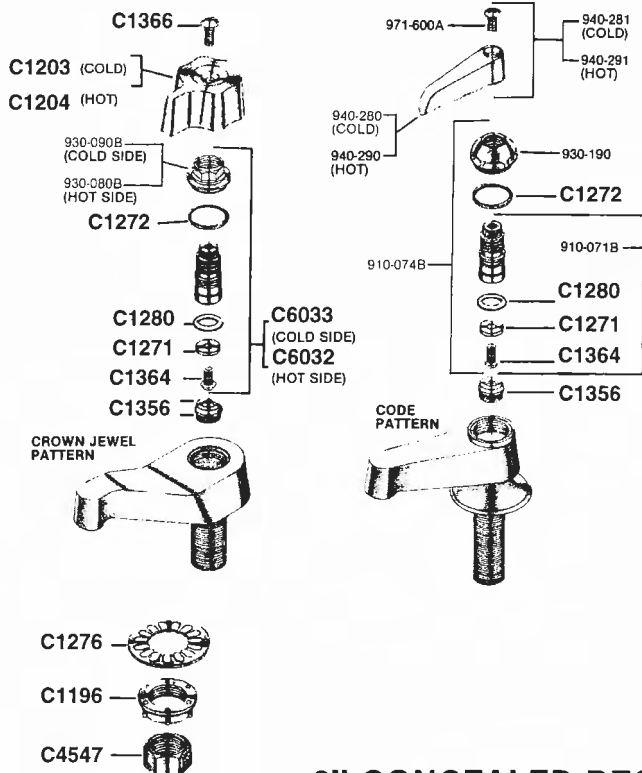
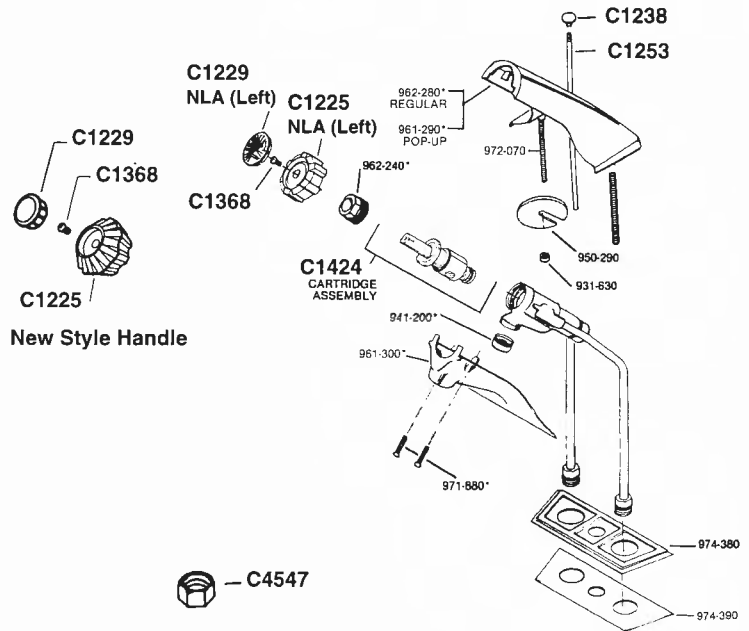
**4" SLANT HOUSING TYPE LAVATORY FAUCET
CATALOG NO'S 43 SERIES & H43 SERIES
COMPRESSION & WASHERLESS**



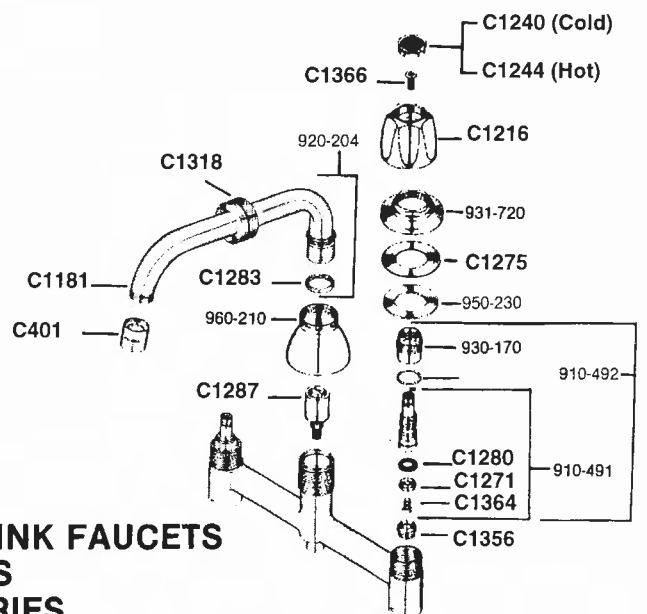
PRICE PFISTER



AVANTE® 4" SINGLE HANDLE LAVATORY FAUCETS CATALOG NO. 41 SERIES



SINGLE BASIN FAUCETS CATALOG NO. 51 SERIES

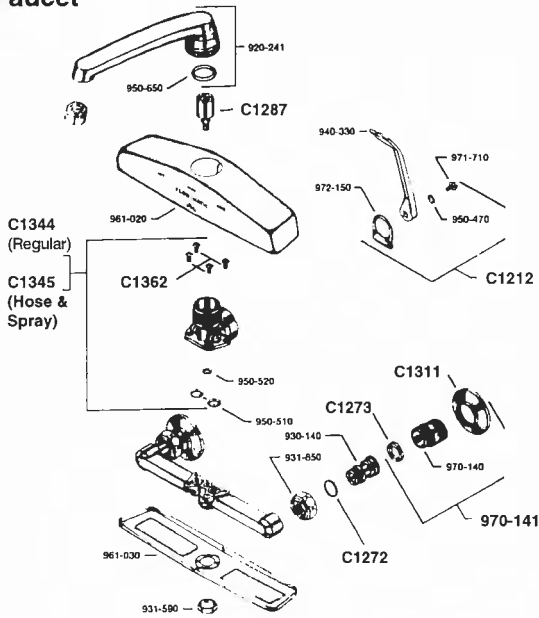


8" CONCEALED DECK TYPE SINK FAUCETS FOR STEEL SINKS CATALOG NO. 31 SERIES

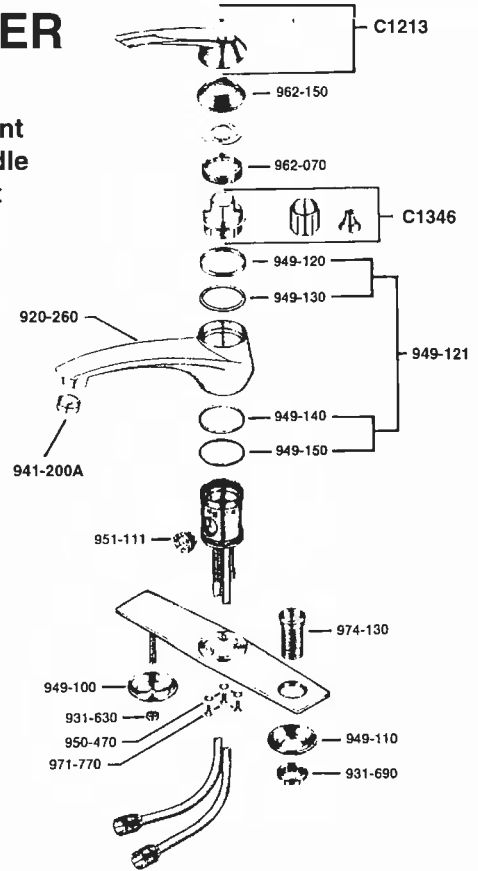
SERIES 25
8" Wall Mount
Single Handle
Sink Faucet



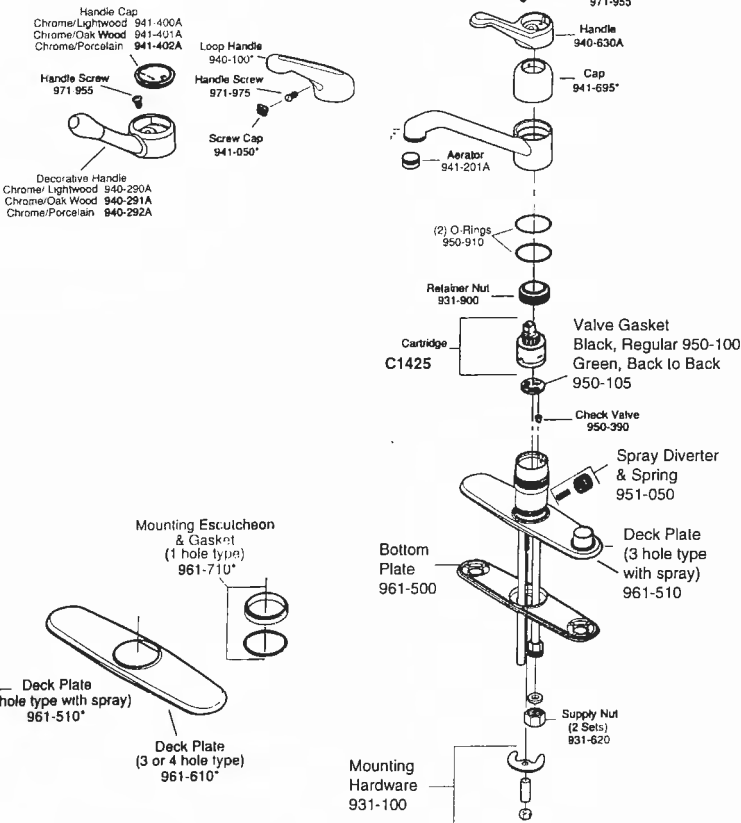
PRICE PFISTER



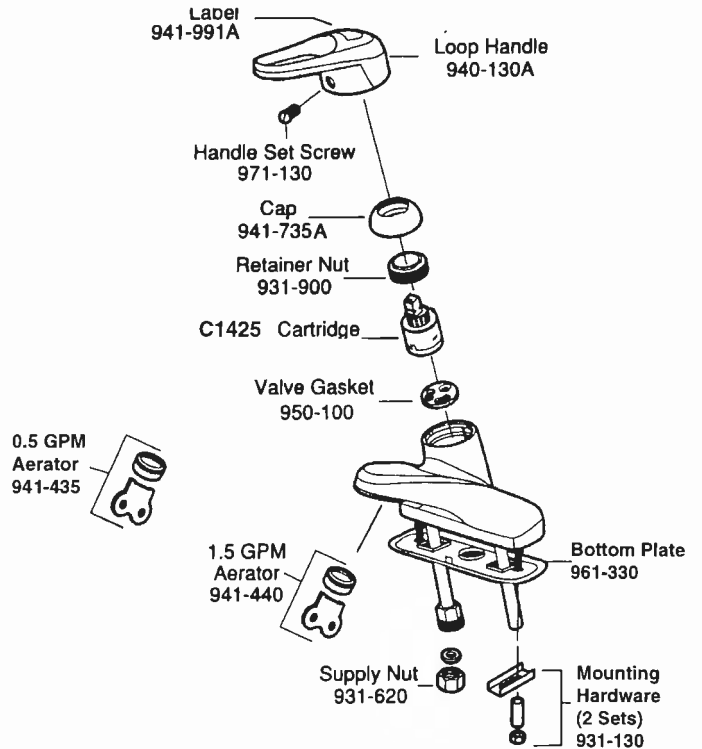
SERIES 33
8" Top Mount
Single Handle
Sink Faucet



SERIES 34



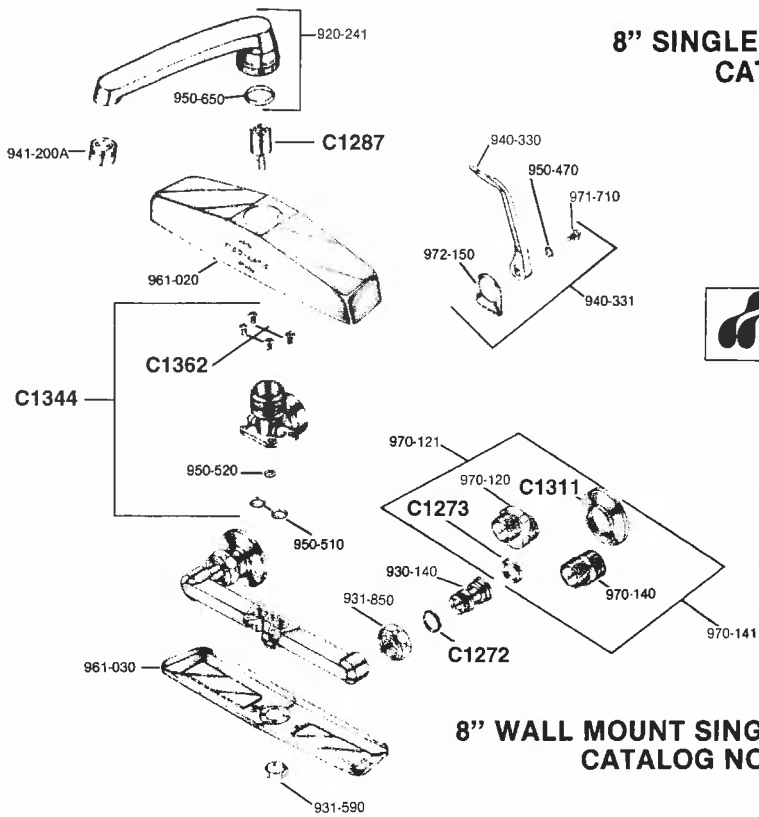
SERIES C42



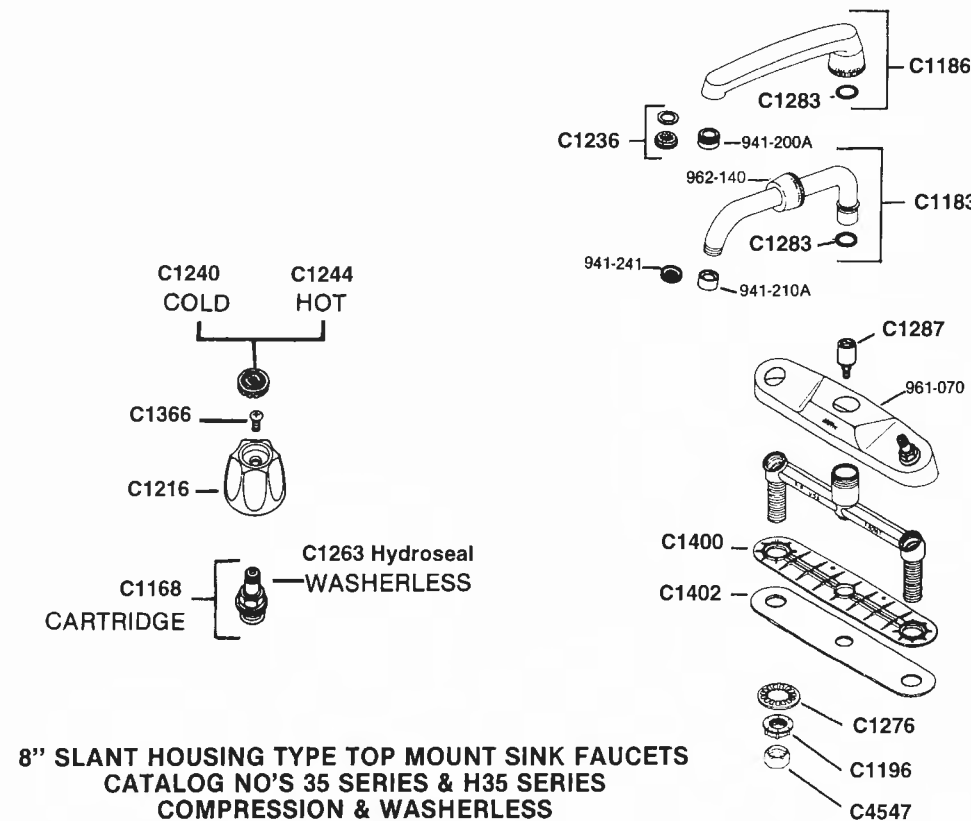
AVANTE® 8" SINGLE CONTROL KITCHEN FAUCET CATALOG NO. 33 SERIES



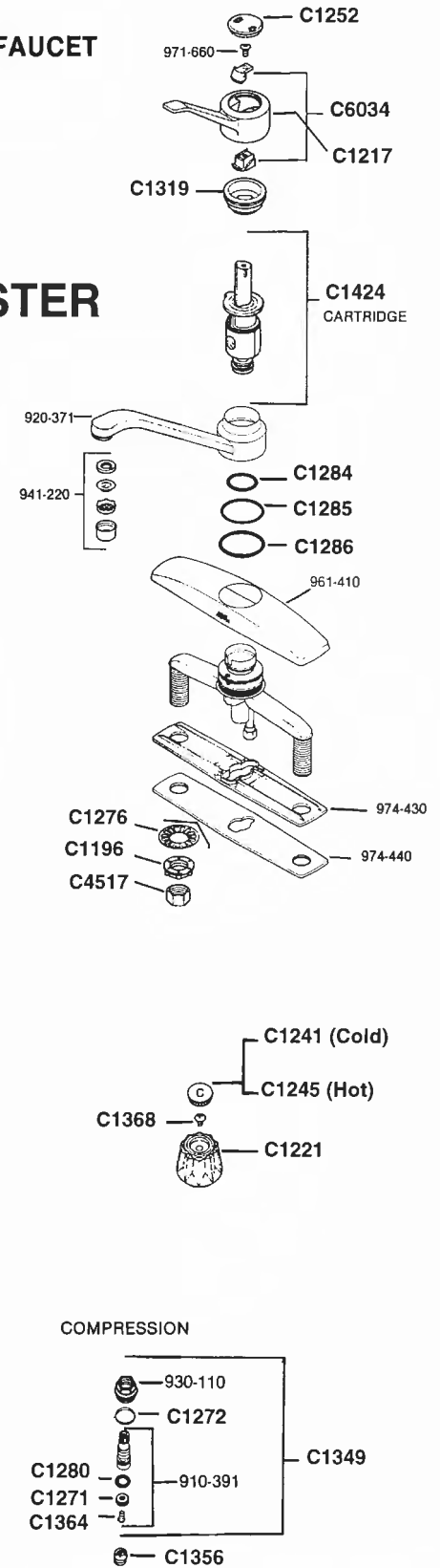
PRICE PFISTER



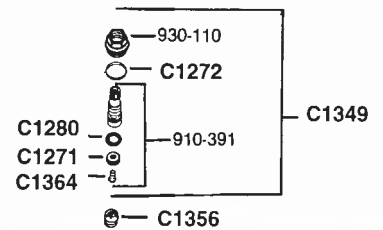
8" WALL MOUNT SINGLE HANDLE FAUCET CATALOG NO. 25 SERIES



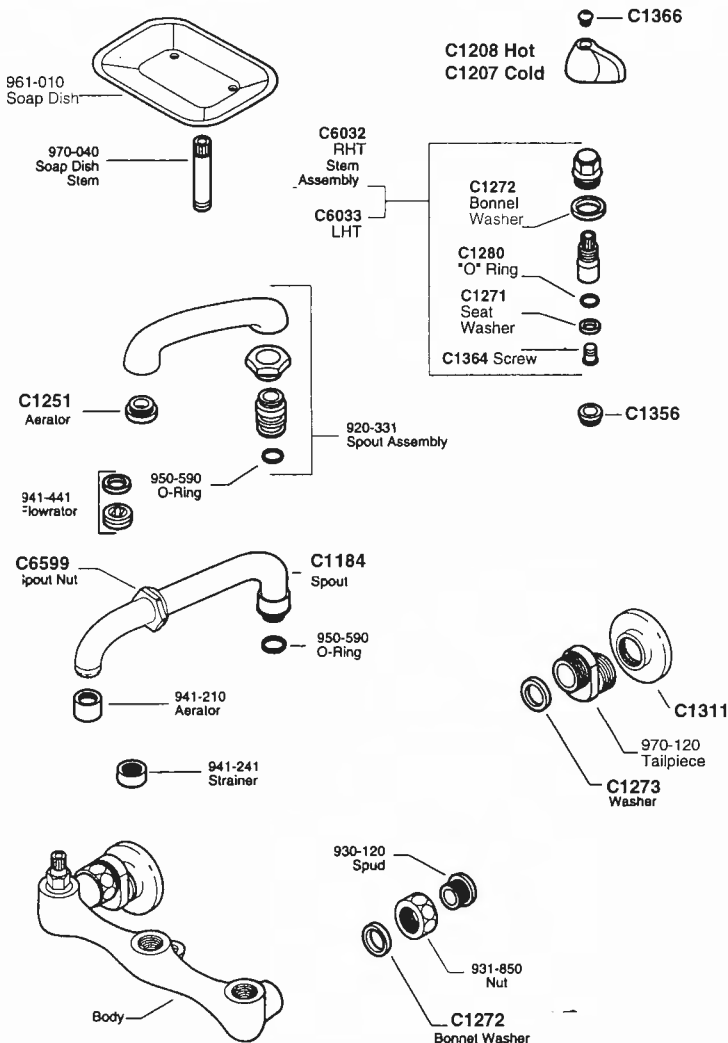
8" SLANT HOUSING TYPE TOP MOUNT SINK FAUCETS CATALOG NO'S 35 SERIES & H35 SERIES COMPRESSION & WASHERLESS



COMPRESSION

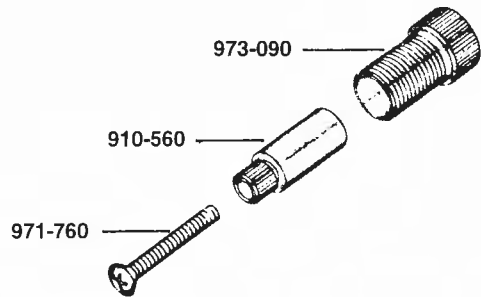


SERIES 27
Shasta Wall Mount

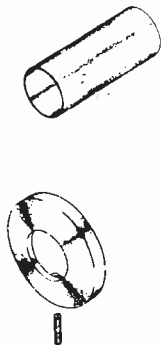


FLANGES

C6809
Stem Ext. Kit

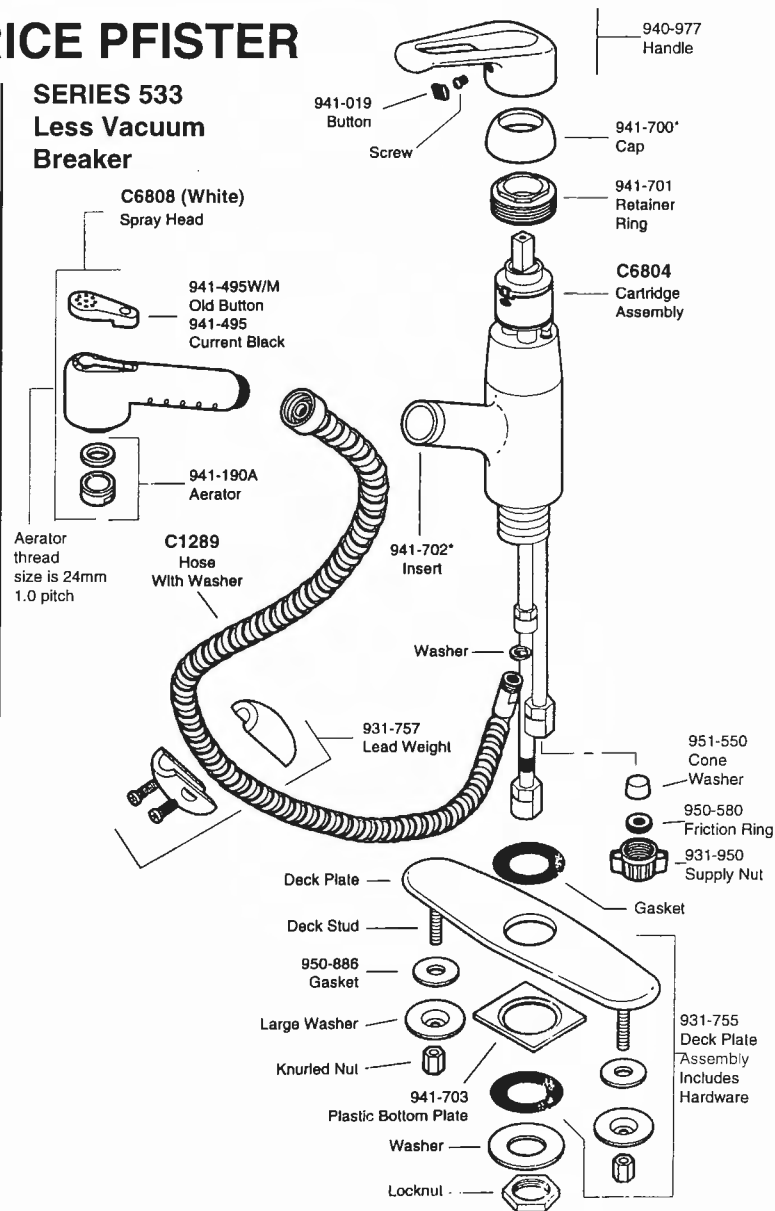


C6036

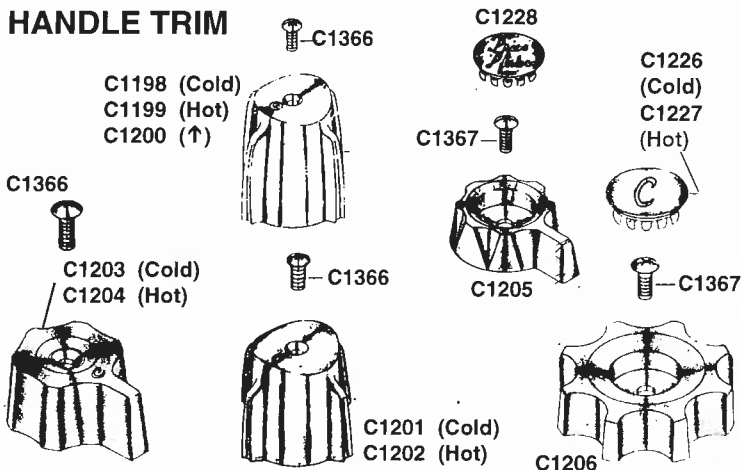


PRICE PFISTER

SERIES 533
Less Vacuum
Breaker



HANDLE TRIM

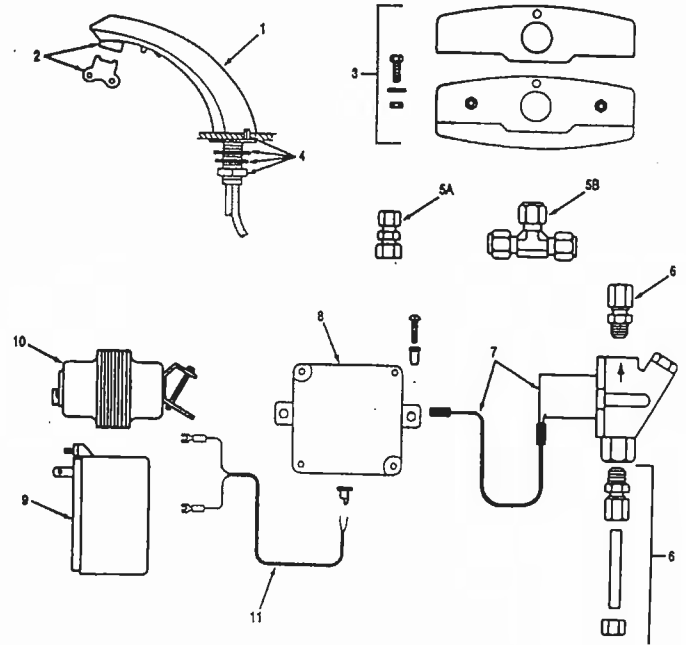




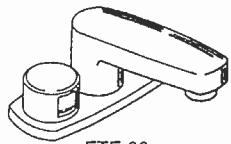
SLOAN

C3975 COMPLETE FAUCET (Single Temperature)

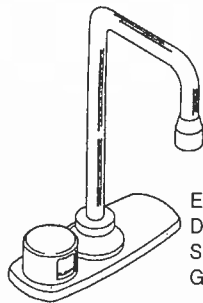
- 1. ETF-250-A Faucet/Sensor Assembly (ETF-80)
- ETF-398-A Sensor Module Only
- 2. ETF-234 Spray Head, 1/2 GPM (1.9 LPM), with Key
- ETF-235 Spray Head, 2 GPM (7.6 LPM), with Key
- ETF-236 Spray Head, 2-1/2 GPM (9.5 LPM), with Key
- ETF-237 Spray Head, 2-1/2 GPM (9.5 LPM), Laminar Flow
- 3. ETF-295-A Trim Plate Kit (Optional) **C3976**
- 4. ETF-290 Faucet Mounting Kit, includes Roll Pin, Rubber Washer, Mounting Washer and Mounting Nut
- 5A. ETF-297 Straight Compression Fitting Connector (for Applications using one Solenoid Valve)
- 5B. ETF-280 Tee Compression Fitting (for Applications Using Two Solenoid Valves)
- 6* ETF-283 Assembly Kit, Includes: Supply Tube (1), Compression Fittings (2), Compression Nut (1), Compression Sleeve (1)
- 7* ETF-370-A Solenoid Valve, 24 VAC, Includes Wire Harness **C3974**
- 8. ETF-393-A Control Module Assembly
- 9. ETF-233 Plug-In Transformer
- 10. EL-248-40 Box Mount Transformer
- 11. ETF-203-A Power Cable with Strain Relief and Crimp Connectors (Transformer to Control Module)



*Two of each item are required in double solenoid valve equipped faucet models.



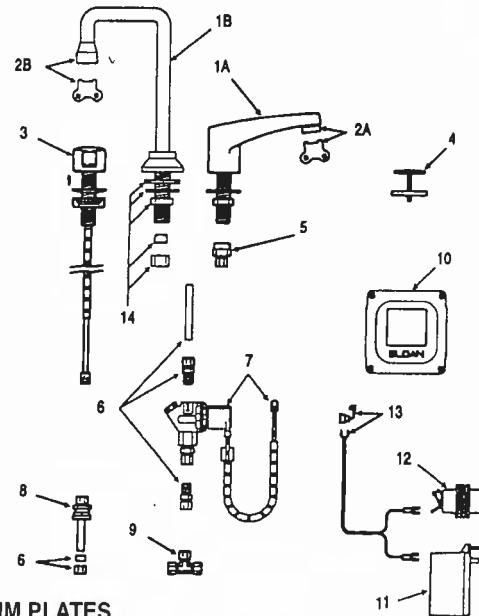
ETF-66
Sensor Operated
Lavatory Faucet



ETF-77
Deck Mounted
Sensor Operated
Gooseneck Faucet

COMPONENTS SUPPLIED WITH FAUCET

- 1A. ETF-195-A Lavatory Faucet Assembly (ETF-66)
- 1B. ETF-261-A Deck-Mounted Gooseneck Faucet Assembly (ETF-77)
- 2A. F-174 Spray Head (ETF-66), .5 gpm (1.9 Lpm), with Key
- F-179 Spray Head (ETF-66), 2.0 gpm (7.6 Lpm), with Key
- F-175 Spray Head (ETF-66), 2.5 gpm (9.5 Lpm), with Key
- F-175-L Spray Head (ETF-66), 2.5 gpm (9.5 Lpm), Laminar Flow
- 2B. ETF-234 Spray Head (ETF-77), .5 gpm (1.9 Lpm), with Key
- ETF-235 Spray Head (ETF-77), 2.0 gpm (7.6 Lpm), with Key
- ETF-236 Spray Head (ETF-77), 2.5 gpm (9.5 Lpm), with Key
- ETF-237 Spray Head (ETF-77), 2.5 gpm (9.5 Lpm), Laminar Flow
- 3. EL-3500-A "ON-Q" OPTIMA® Sensor Assembly
- 4. ETF-199 Cock Hole Cover
- 5. ETF-271 Tube Fitting Connector
- 6. ETF-283 Assembly Kit, Includes: Supply Tube (1), Compression Fittings (2), Compression Nut (2), Compression Sleeve (2)
- 7. ETF-370-A Solenoid Valve, 24 VAC, Includes Wire Harness **C3974**
- 8. ETF-470-A Bak-Chek (2 Supplied When Specified with Faucet)
- 9. ETF-259 Tee Compression Fitting
- 10. ETF-450-A Control Module Assembly
- 11. ETF-233 Plug-In Transformer
- 12. EL-248-40 Box Mount Transformer
- 13. ETF-203-A Power Cable with Strain Relief and Crimp Connectors (Transformer to Control Module)
- 14. EL-310-A Spout Mounting Kit (ETF-77 Only), Kit Includes: Rubber Washer, Steel Washer, Lock Nut, Rubber Cone Washer & Nut



OPTION TRIM PLATES

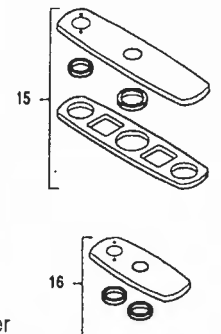
- 15 ETF-432-A 8" (203 mm) Trim Plate
- 16 ETF-313-A 4" (102 mm) Trim Plate

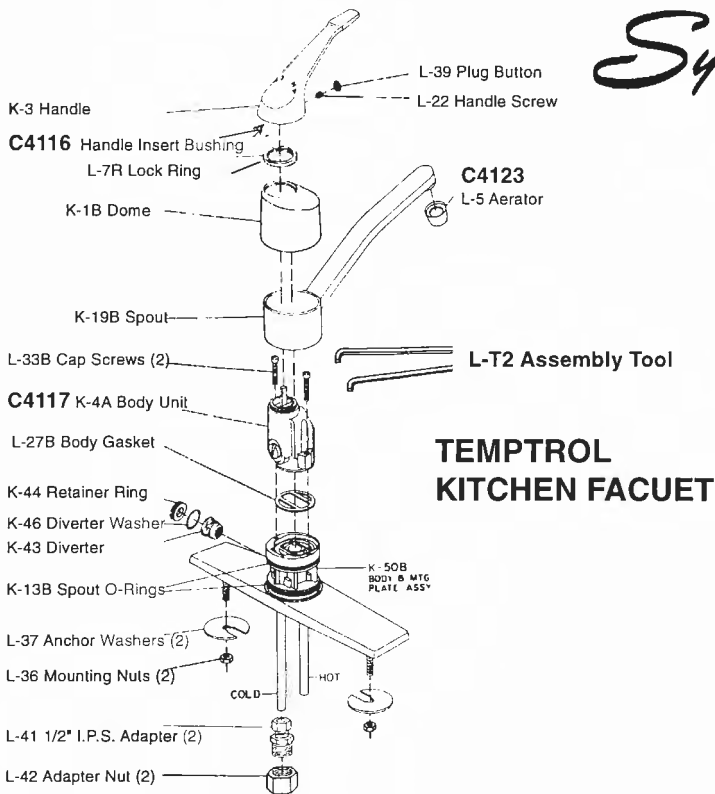
FAUCET CABLE EXTENSION CORDS

- Solenoid to Control Module
- ETF-1005-1 3 Foot (.9 meter) Length
- ETF-1005-2 6 Foot (1.8 meter) Length
- ETF-1005-3 9 Foot (2.7 meter) Length
- Solenoid to Control Module
- ETF-1003-1 3 Foot (.9 meter) Length
- ETF-1003-2 6 Foot (1.8 meter) Length
- ETF-1003-3 9 Foot (2.7 meter) Length

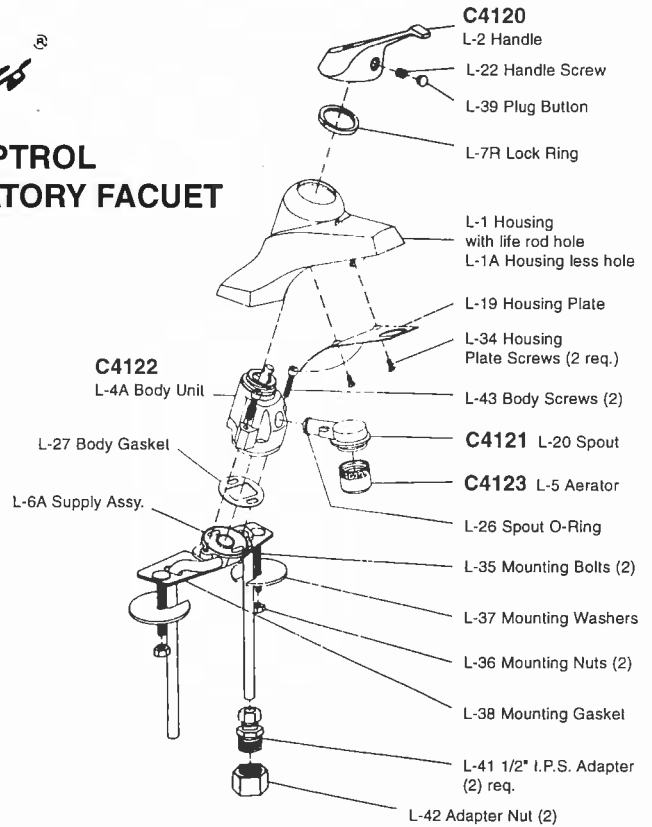
SOLENOID VALVE REPAIR KIT

- ETF-1009-A Includes Replacement Filler

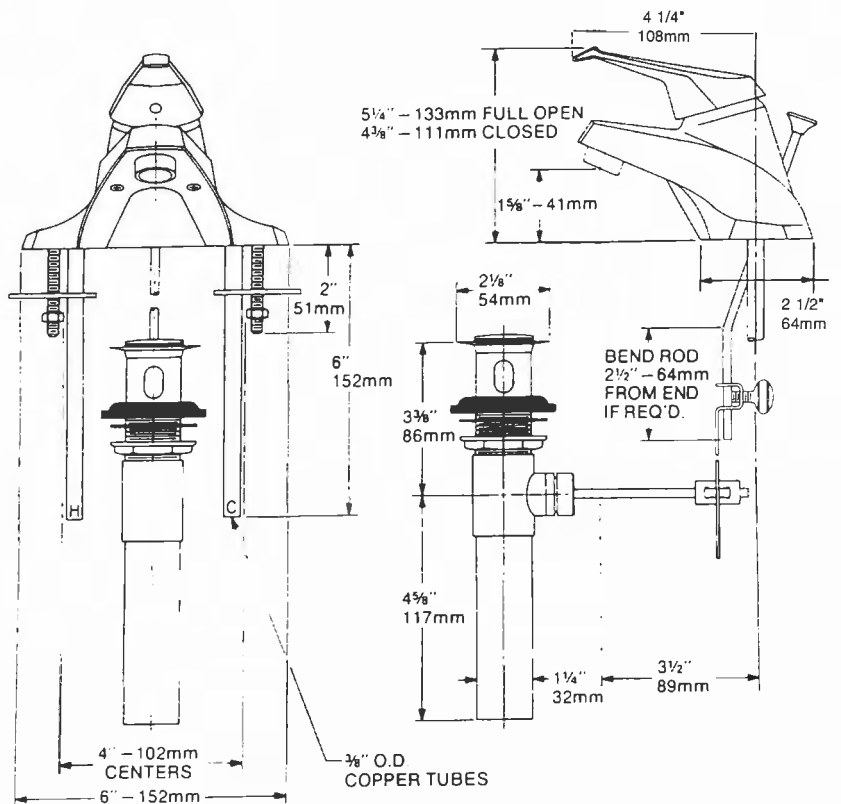
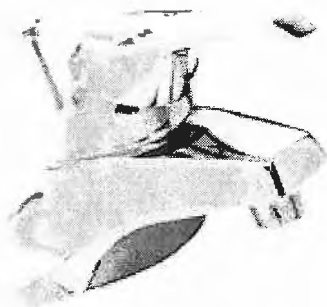




TEMPTROL LAVATORY FACUET



TEMPTROL LAVATORY MODELS (4" CENTER SET)



C4155

- S-90-2 Lavatory faucet with lift rod and pop-up drain assembly.
- S-90-1 with lift rod only.
- S-90 Faucet only

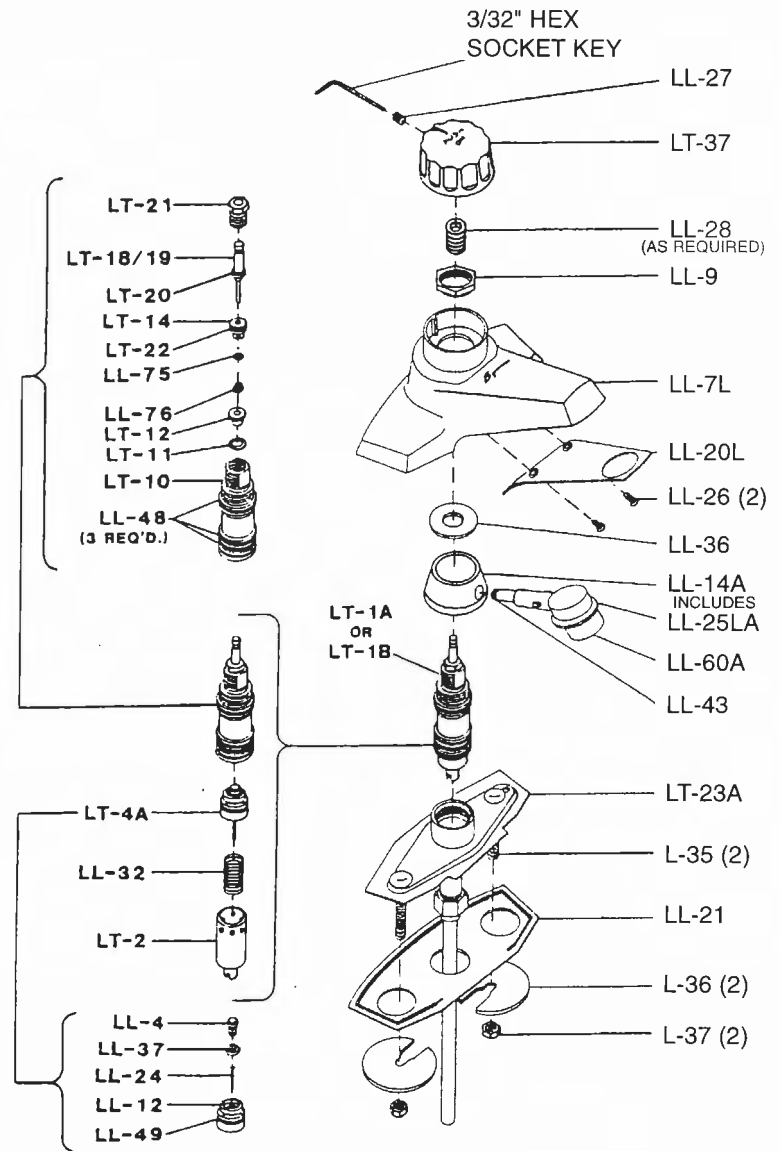
177

METERING FAUCET

Slow-Closing - Metering - Lavatory Faucet

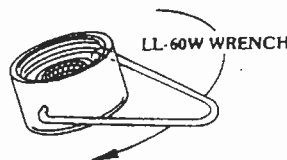


Cat. No.	Model	Description
C4142	LT-1A	Control Cartridge
C4143	LT-1B	Control Cartridge for quick-closing
	LT-2	Metering Cylinder
	LT-4A	Piston Assembly
	LT-10	Supply Housing Cap
	LT-11	Valve Seat Gasket
	LT-12	Valve Seat
	LT-14	Spindle Packing Spacer
	LT-18/19	Cycle Spindle Assembly
	LT-20	Cycle Spindle Ring
	LT-21	Packing Nut
	LT-22	Spacer O-Ring
	LT-23A	Base Plate Assembly
	LT-37	Handle
	LL-4	Shut-off Washer Screw
	LL-7L	Shell
C4140	LL-9	Shell Locking Nut
	LL-12	Metering Piston
C4130	LL-14	Spout Retainer
	LL-20L	Undercover Plate
C4144	LL-21	Base Plate Gasket
	LL-24	Metering Pin
C4130	LL-25LA	Spout Assembly
	LL-26	Undercover Plate Screws (2)
C4131	LL-27	Handle Set Screw
C4132	LL-28	Cycle Time Washers
	LL-32	Piston Spring
	LL-36	Valve Housing Gasket
	LL-37	Shut Off Washer
C4137	LL-43	Spout O-Ring
C4138	LL-48	Supply Housing O-Rings (3)
	LL-49	Piston O-Ring
	LL-75	Spindle Guide Huva Cup
	LL-76	Huva Cup Retainer
C4139	LL-60A	Rose Spray
	L-35	Mounting Bolts (2)
	L-36	Mounting Washers (2)
	L-37	Mounting Nuts (2)



C6592 REPAIR KIT LT: Contains

LT-11	LT-12	LT-14	LT-18/19
LT-20	LT-21	LT-22	LL-4
LL-24	LL-37	LL-43	LL-48
LL-49	LL-75	LL-76	



Removal of LL-60A for cleaning - clean strainer and spray face. Spray face can also be cleaned when faucet is running by pushing up on the center of the spray allowing water to flood and flush it.

Tools required for disassembly:
Order LL-KIT-W consisting of:

- LL-27W 3/32" Hex key, to remove handle set screw.
- LL-9W 15/16" Socket, to remove shell locking nut.
- LL-60W* Rose spray wrench, to remove rose spray.

Other standard tools required:

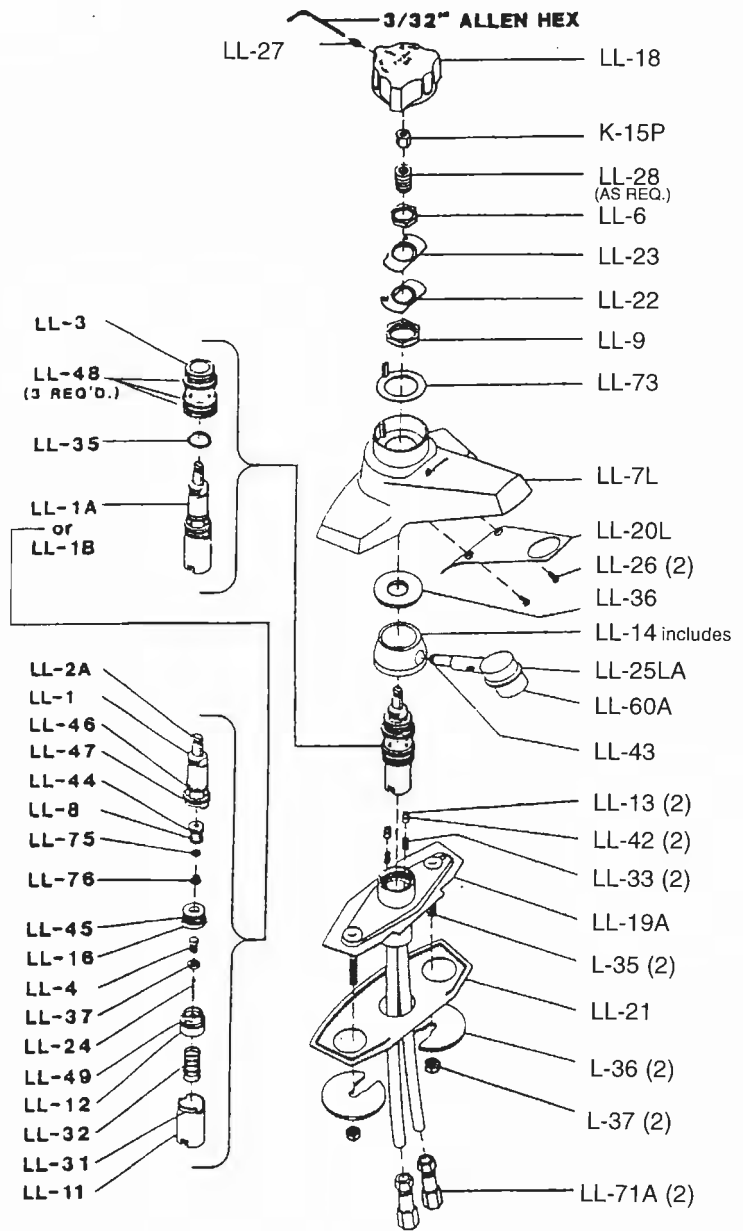
- Adjustable wrench or 11/16" and 3/4" open end
- Small Phillips screwdriver
- Pliers

*Shipped with every faucet.

SCOT
Slow-Closing OMNI TEMPERATURE - Lavatory Faucet



Cat. No.	Model	Description
	LL-1	Control Spindle
C4126	LL-1A	Control Cartridge
C4127	LL-1B	Control Cartridge for quick-closing
	LL-2A	Cycle Spindle Assembly
C4133	LL-3	Upper Housing
	LL-4	Piston Washer Screw
	LL-6	Limit Stop Retainer Nut
	LL-7L	Shell
	LL-8	Cycle Spindle Guide
C4140	LL-9	Shell Locking Nut
	LL-11	Piston Cylinder
	LL-12	Piston
C4124	LL-13	Inlet Seat (2)
C4130	LL-14	Spout Retainer
	LL-16	Shut Off Seat
C4125	LL-18	Handle
	LL-19A	Base Plate Assembly
	LL-20L	Undercover Plate
C4144	LL-21	Base Plate Gasket
C4128	LL-22	Limit Stop Washer (fixed)
C4129	LL-23	Limit Stop Washer (adjustable)
	LL-24	Control Rod
C4130	LL-25LA	Spout Assembly
	LL-26	Undercover Plate Screws (2)
C4131	LL-27	Handle Set Screw
C4132	LL-28	Cycle Time Washers
	LL-31	Retaining Ring
	LL-32	Piston Spring
C4134	LL-33	Inlet Seat Springs (2)
C4135	LL-35	Thrust Washer
	LL-36	Valve Housing Gasket
	LL-37	Shut Off Washer
C4136	LL-42	Inlet Seat O-Rings (2)
C4137	LL-43	Spout O-Ring
	LL-44	Spindle Guide Large O-Ring
	LL-45	Shut Off Seat O-Ring
	LL-46	Control Spindle Small O-Ring
	LL-47	Control Spindle Large O-Ring
C4138	LL-48	Upper Housing O-Rings (3)
	LL-49	Piston O-Ring
C4139	LL-60A	Rose Spray
	LL-71A	In-Line Checks (2)
	LL-73	Wear Bearing
	LL-75	Spindle Guide Huva Cup
	LL-76	Huva Cup Retainer
	L-35	Mounting Bolts (2)
	L-36	Mounting Washers (2)
	L-37	Mounting Nuts (2)
C4116	K-15P	Handle Insert



C6591 - REPAIR KIT LL: Contains					
LL-13	LL-24	LL-31	LL-33	LL-35	LL-37 LL-48
42	LL-43	LL-44	LL-45	LL-46	LL-47 LL-48
48	LL-49	LL-73	LL-75	LL-76	

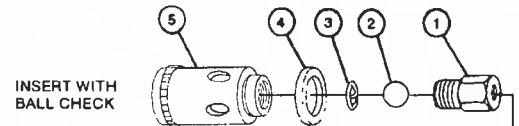
Removal of LL-60A for cleaning - clean strainer and spray face. Spray face can also be cleaned when faucet is running by pushing up on the center of the spray allowing water to flood and flush it.

- Tools required for SCOT disassembly:
Order LL-KIT-W consisting of:
- LL-27W 3/32" Hex key, to remove handle set screw.
 - LL-9W 15/16" Socket, to remove shell locking nut.
 - LL-60W* Rose spray wrench, to remove rose spray.
- Other standard tools required:
- Adjustable wrench or 11/16" and 3/4" open end
 - Small Phillips screwdriver
 - Pliers
- *Shipped with every faucet.

Cat. No.	NO.	Part No.	Description
	1	766-20	Ball Check Seat
	2	1408-45	Brass Ball
C6093	3	891-45	Spring
C6091	4	1022-45	Bottom Gasket
C6094	5	790-20	Removable Insert
	6	766-20	Ball Check Seat
	7	1408-45	Brass Ball
C6093	8	891-45	Spring
C6091	9	1022-45	Bottom Gasket
C6092	10	791-20	Removable Insert
C6091	11	1022-45	Bottom Gasket
C4216	12	788-20	Removable Insert
C4171	14	1092-45	Seat Washer
C4177	15	1478-25	Seat Holder
C4178	16	1479-45	Spring
C4183	17	1907-25	Spindle (Hot)
C6091	18	1022-45	Bottom Gasket
C4217	19	789-20	Removable Insert
C6095	20	933-45	Seat Screw
C4171	21	1092-45	Seat Washer
C4177	22	1478-25	Seat Holder
C4178	23	1479-45	Spring
C4184	24	1908-25	Spindle (Cold)
C6091	25	1022-45	Bottom Gasket
C4216	26	788-20	Removable Insert
C4220	27	811-25	Spindle (Hot)
C4181	28	1637-45	Lever Handle (Hot)
C6096	29	1661-45	Index Button (Hot)
C4225	30	922-45	Handle Screw
C6091	31	1022-45	Bottom Gasket
C4217	32	789-20	Removable Insert
C6095	33	933-45	Seat Screw
C4171	34	1092-45	Seat Washer
C4221	35	812-25	Spindle (Cold)
C6025	36	2601-45	Top Gasket
C6097	37	607-40	Bonnet
C6024	38	1098-45	Packing
C4256	39	718-25	Packing Nut
C4180	40	1636-45	Lever Handle (Cold)

SPINDLE ASSEMBLIES

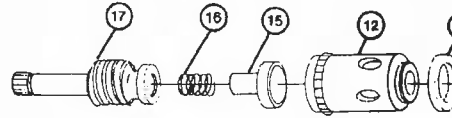
RIGHT-HAND SPINDLE ASSEMBLIES (HOT SIDE)



INSERT WITH BALL CHECK

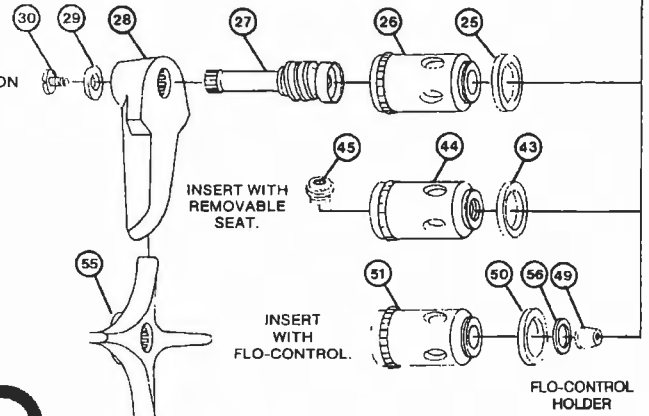
C4188

INSERT WITH SPRING CHECK (HOT SPINDLE ASSEMBLY - PART NO. 2712-40).



C4190

STANDARD COMPRESSION UNIT (HOT SPINDLE ASSEMBLY - PART NO. 2714-40).



INSERT WITH REMOVABLE SEAT.

INSERT WITH FLO-CONTROL.

FLO-CONTROL HOLDER

FAUCET BODY

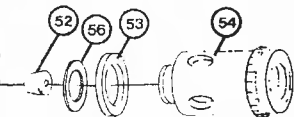
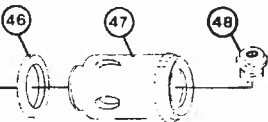
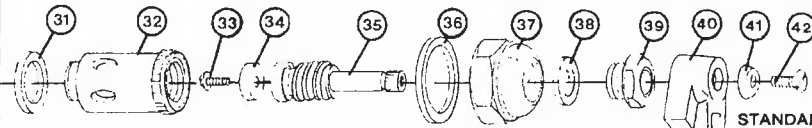
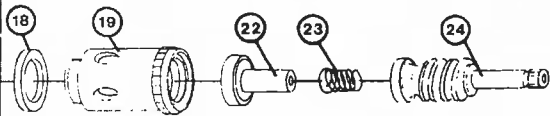
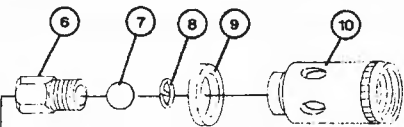


SPINDLE ASSEMBLIES

LEFT-HAND SPINDLE ASSEMBLIES (COLD SIDE)

C4187

INSERT WITH SPRING CHECK (COLD SPINDLE ASSEMBLY - PART NO. 2711-40).



STANDARD COMPRESSION UNIT (COLD SPINDLE ASSEMBLY - PART NO. 2713-40).

C4189

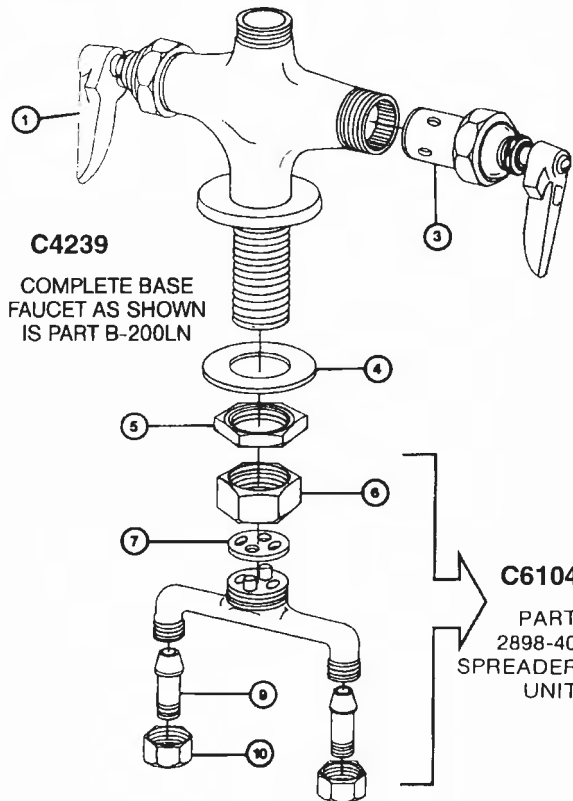
NOTE: RIGHT-HAND SPINDLE ASSEMBLIES (HOT SIDE) ARE USED ON THE COLD SIDE ONLY WHEN FOUR-ARM, CAROLINA AND ALPINE HANDLES ARE SPECIFIED.

Cat. No.	NO.	Part No.	Description
C6099	41	1660-45	Index Button (Cold)
C4225	42	922-45	Handle Screw
C6091	43	1022-45	Bottom Gasket
	44	792-20	Removable Insert
C6100	45		Removable Seat
C6091	46	1022-45	Bottom Gasket
	47	793-20	Removable Insert
C6100	48		Removable Seat
	49	NLA	Flow Control Tower
C6091	50	1022-45	Bottom Gasket
	51	2613-45	Removable Insert
	52	NLA	Flow Control Tower
C6091	53	1022-45	Bottom Gasket
	54	2614-45	Removable Insert
	55	2521-45	Four-Arm Handle
	56	NLA	Flo-Control Holder

BASE FAUCETS AND ACCESSORIES



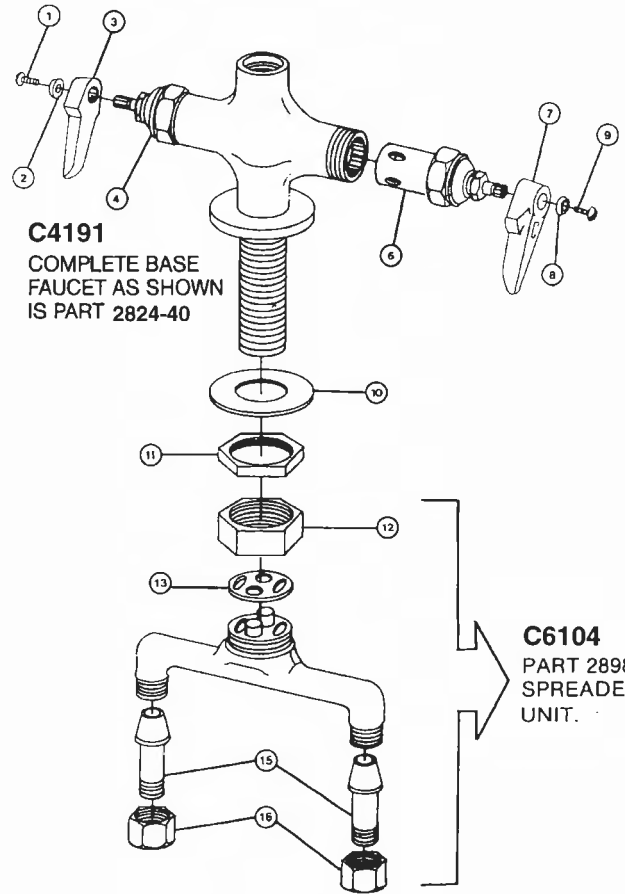
**B-200, 201, 202, 250, 251, 252,
301 SWIVEL BASE FAUCET**



C4239
COMPLETE BASE
FAUCET AS SHOWN
IS PART B-200LN

C6104
PART
2898-40
SPREADER
UNIT

B-111, 112, 113, 114 RIGID PRE-RINSE BASE FAUCET



C4191
COMPLETE BASE
FAUCET AS SHOWN
IS PART 2824-40

C6104
PART 2898-40
SPREADER
UNIT.

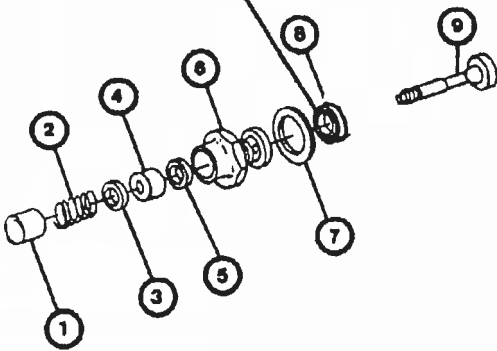
Cat. No.	NO.	Part No.	Description
C4190	1	2714-40	Hot Spindle Assembly
C4189	3	2713-40	Cold Spindle Assembly
	4	2290-45	Shank Washer
C6101	5	965-45	Nut
C6102	6	736-20	Spreader Nut
C6020	7	1041-45	Gasket
C4179	9	1592-20	Tailpiece
C6103	10	958-20	Tailpiece Nut

Cat. No.	NO.	Part No.	Description
C4225	1	922-45	Handle Screw
C6096	2	1661-45	Index Button (Hot)
C4181	3	1637-45	Lever Handle (Hot)
C4188	4	2712-40	Hot Spindle Assembly
C4187	6	2711-40	Cold Spindle Assembly
C4180	7	1636-45	Lever Handle (Cold)
C6099	8	1660-45	Index Button (Cold)
C4225	9	922-45	Handle Screw
	10	2290-45	Washer
C6101	11	965-45	Nut
C6102	12	736-20	Spreader Nut
C6020	13	1041-45	Gasket
C4179	15	1592-20	Tailpiece
C6103	16	958-20	Tailpiece Nut

BONNET ASSEMBLY REPAIR

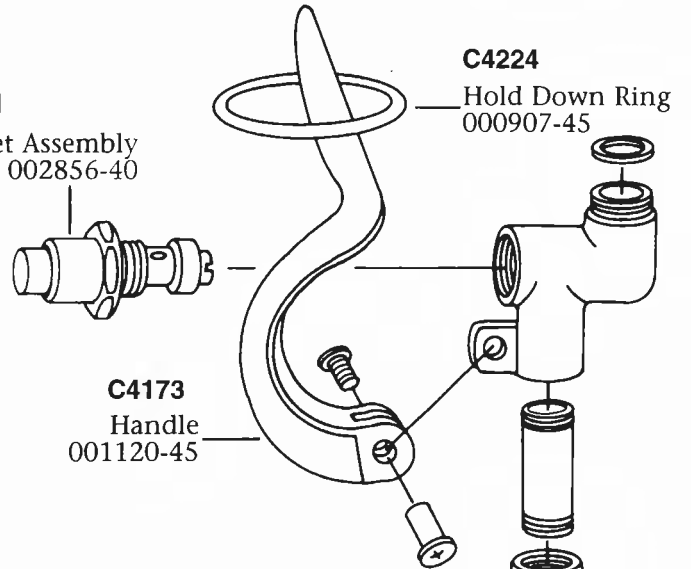
Cat. No.	NO.	Part No.	Description
C6105	1	753-25	Push Button
C6106	2	885-45	Bonnet Spring
C6107	3	974-45	Bonnet Washer
C4172	4	1097-45	Packing
	5	974-45	Bonnet Washer
	6	608-25	Bonnet
	7	1040-45	Binding Washer
C4170	8	1084-45	Seat Washer
	9	842-20	Stem

BRASS SIDE



PRE-RINSE UNITS AND SPRAY VALVE ATTACHMENTS

C6021
Bonnet Assembly
002856-40



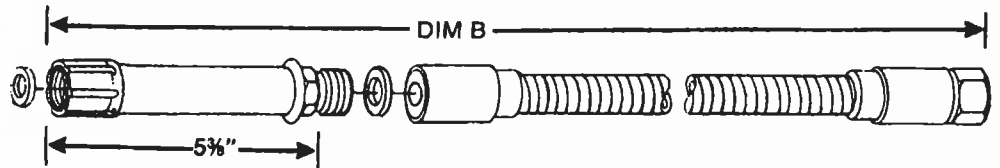
B-10K

Repair Kit for B-0107

C4229



- Parts Kit used to repair B-0107 spray valve
- Contains 2 each - rubber rings, seat washers, binding washers, bonnet washers, packings, springs, and hose washers



REPLACEMENT HOSES

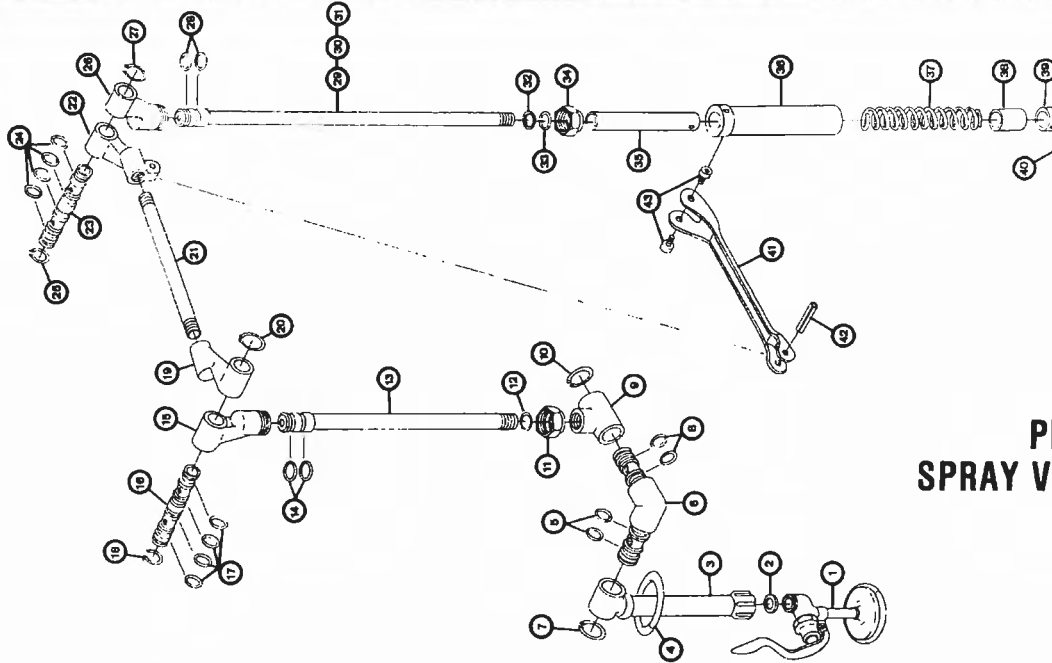
These are standard replacement hoses used on the pre-rinse units, any lengths available. Ble. when ordering, specify DIM B (Length) in inches.
B-100 Style (large dia. 11/16")

Cat. No.	Part No.	Description
C4241	B0026 H	Flex S/S Hose Dim. B-26"
C4246	B0044 H	Flex S/S Hose Dim. B-44"
C4248	B0068 H	Flex S/S Hose Dim. B-68"

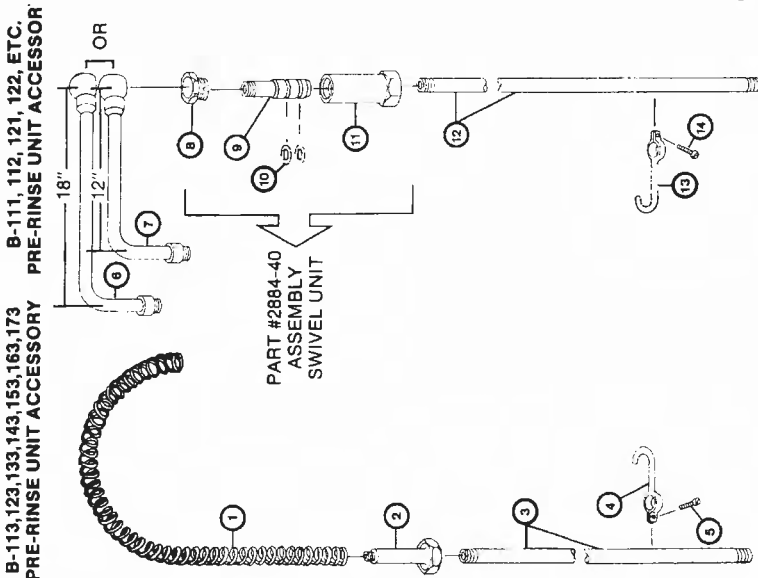
152

NO.	PART NO.	DESCRIPTION	Cat No.
1	B0107	SPRAY VALVE	C4227
2	1015-45	FIBRE WASHER	
3	2897-40	HANDLE GRIP ASSEMBLY	
4	907-45	HOLD DOWN RING	C4224
5	1060-45	'O' RING	C6342
6	72-40	JOINT	
7	908-45	SNAP RING	
8	1060-45	'O' RING	C6342
9	71-40	JOINT	
10	908-45	SNAP RING	
11	702-40	SWIVEL NUT	
12	1455-45	SLIP WASHER	
13	378-40	PIPE	
14	1060-45	'O' RING	C6342
15	68-40	JOINT	
16	670-40	HOLLOW SHAFT	
17	1080-45	'O' RING	C6342
18	908-45	SNAP RING	
19	69-40	JOINT	
20	908-45	SNAP RING	
21	369-40	PIPE	C4198
22	70-40	JOINT	
23	670-40	HOLLOW SHAFT	
24	1060-45	'O' RING	C6342
25	908-45	SNAP RING	
26	68-40	JOINT	
27	908-45	SNAP RING	
28	1060-45	'O' RING	C6342
29	419-40	RISER PIPE - 23%"	
30	418-40	RISER PIPE - 17%"	
31	417-40	RISER PIPE - 13%"	
32	1455-45	SLIP WASHER	
33	1060-45	'O' RING	C6342
34	703-40	SWIVEL NUT	
35	1122-20	NYLON TUBE	
36	336-40	TUBE	
37	889-45	SPRING	
38	824-40	SPRING REST	
39	616-40	SUPPORT BUSHING	
40	942-45	SET SCREW	
41	75-40	ARM	
42	1309-45	PIN	
43	841-45	CAP SCREW	

B-114 NAUTILUS UNIT



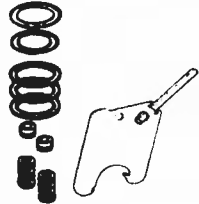
PRE-RINSE UNITS AND SPRAY VALVE ATTACHMENTS



NO.	PART NO.	DESCRIPTION	Cat No.
1	888-45	SPRING	C4223
2	821-40	SPRING BODY	C4222
3	372-40	RISER - 24"	C4199
4	2873 -40	FINGER HOOK	C4195
5	916-45	SCREW	
6	-11	'L'-TUBE - 18"	
7	-11	'L'-TUBE - 12"	C4196
8	735-40	SWIVEL HEX NUT	
9	839-25	SWIVEL STEM	
10	1074-45	'O'-RING	C6022
11	591-25	SWIVEL BODY	
12	376-40	RISER - 32"	
13	2873 -40	FINGER HOOK	C4195
14	916-45	SCREW	

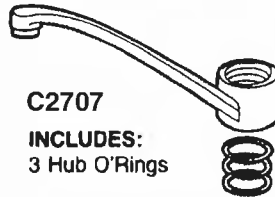
SINGLE CONTROL FAUCET PARTS

Single Control Repair Kit Model #V1001CD C2706



INCLUDES:
2 Spring & Seat Assy
2 Inlet Seal
3 Hub O'Ring
1 Control Plate O'Ring
1 Retainer O'Ring
1 Combination Wrench

O'Ring Repair Kit Model #V1112CD



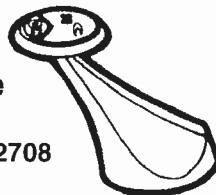
C2707
INCLUDES:
3 Hub O'Rings



C2716
VP1964BG

C2717
VP1965BG
For Kitchen Diverter Models

Single Lever Handle Model #V1165CD



C2708
INCLUDES:
1 Single Lever Kitchen Handle

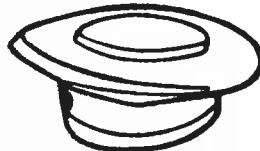
Valley®



C6955
V6859
Valley 2 Hole Models

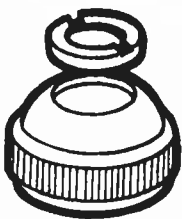
Single Control Clear Acrylic Handle Model #V6679CD

C2710
INCLUDES:
1 Single Control Lav/Shower Handle



Bonnet Assembly Model #V6633CD

C2709
INCLUDES:
1 Bonnet
1 Adjusting Ring



Single Lever Control Assembly Model #V6680CD

C2711
INCLUDES:
1 Retainer O'Ring
1 Ball Stem Driver
1 Retainer Cap
1 Retainer
1 Control Plate O'Ring
1 Control Plate



DUAL CONTROL PARTS

Control Assemblies Model #V6804CD

C2712
INCLUDES:
2 Complete Control Assemblies



Dual Control Clear Acrylic Handles Model #V7800CD

C2715
INCLUDES:
2 Handles - Crystal
1 Plug Button Assembly "H"
1 Plug Button Assembly "C"
2 Handle Screws



Single Control Deck Diverter Model #V7713CD

C2714
INCLUDES:
1 Single Control Kitchen Diverter



Seal & Spring Repair Kit Model #V7059CD

C2713
INCLUDES:
2 Spring and Seat Assembly
2 Seal - Inlet



Dual Control Blade Handles Model #V7804CD

INCLUDES:
2 Blade Handles
1 Plug Button Assembly "H"
1 Plug Button Assembly "C"
2 Handle Screws

