




**C1515**  
Model 600

**SURE-FIT TUB/SHOWER HANDLE**

One size fits all.  
Acrylic handle/chrome button.  
Single pack 600D



**C1516**  
Model 630

**SURE-FIT FAUCET HANDLES**

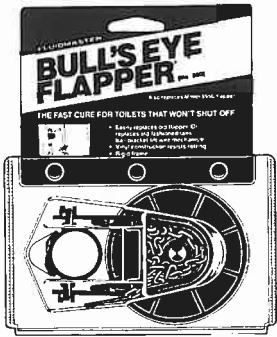
One size fits all.  
Clear Acrylic hot & cold handles for bath or kitchen faucets.



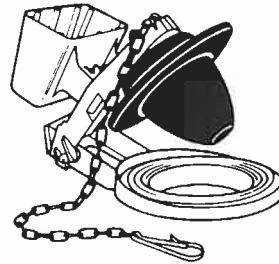
**C1517**  
Model 633

**SURE-FIT FAUCET HANDLES**

One size fits all.  
Chrome hot & cold handles for bath or kitchen faucets.



**C1511**  
Model 500  
Bull's Eye Flapper

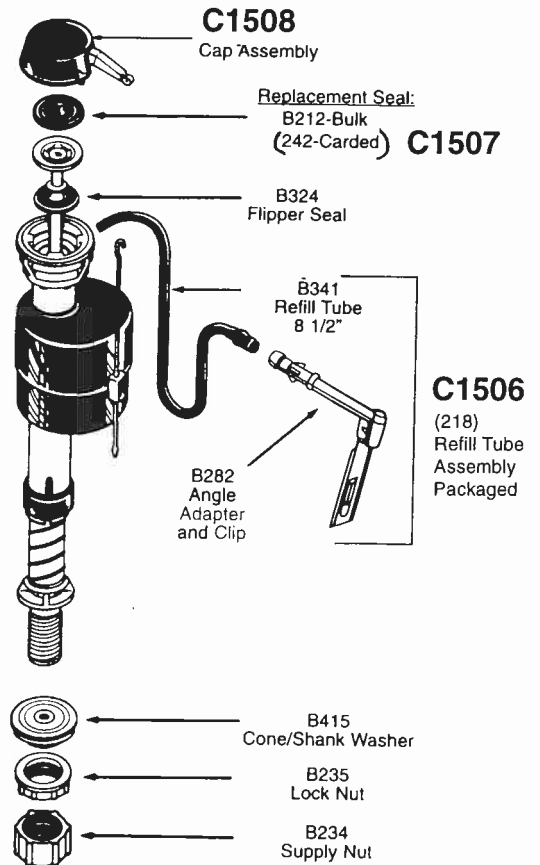
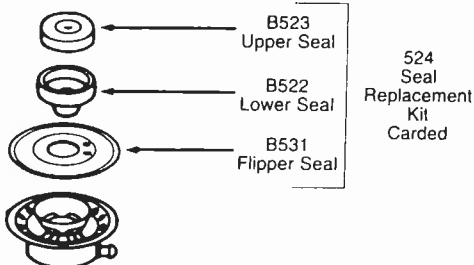


**C1511**  
Replacement Parts for  
Flusher Fixer  
Kit 555C:  
500 Bull's Eye Flapper

**C1514**  
Model 558  
Replacement for  
Flusher Fixer  
Kit 555A



**C1512**  
Model 400  
Replacement  
Parts



934 S.E. Sixth Avenue • Portland, Oregon 97214 • (503) 235-2167 • (800) 929-5039 • Fax (503) 239-3774

## WAX RINGS STANDARD

**C4819**  
8 oz. for Floor Closet Bowls



**C4820**  
URETHANE WAX  
extra thick, fits 3" & 4" lines.  
WALL TO FLOOR BOWLS.  
Guaranteed for 10 years.



**C4815**  
STANDARD WAX  
Fits 3" & 4" lines, for FLOOR CLOSET  
BOWLS ONLY.



**C4816**  
EXTRA THICK WAX RING  
3" & 4" lines. (Not Shown)

**C4818**  
STANDARD WAX  
Fits 4" lines only. For FLOOR CLOSET  
BOWLS only.

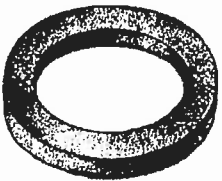


**C4821-2"**  
URINAL WAX RING (Not Shown)



## WAX RINGS

**C3308 & C3309**  
JRSmith Wax Empregnated Felt



**C3303**  
Zurn Neoseal  
4" Nephrene Closet seal

## RUBBER BALLCOCK WASHERS

**C2070**  
1/2" O.D. x 1/8" thick solid ballcock washer

**C2072**  
9/16" x 1/8" thick solid ballcock washer

**C3935**  
From American Standard with two holes,  
1 1/32" O.D. ballcock supply washer

**C3521**  
Standard part #233-17 ballcock supply washer  
1/2" O.D., 1/8" I.D. x 1/8" thick

**C2073**  
Ballcock Shank Washer,  
1 11/16" O.D. x 7/8" I.D. x 7/16" thick.  
Beveled style

**C3521**



**C2073**



**C3935**



## RUBBER TANK-TO-BOWL WASHERS

**C2088**  
1 1/16" sponge rubber fits between tank and bowl on close-coupled  
Crane®, Eljer, Standard, Universal and most others. Also used as a  
Douglas valve shank.

**C2089** 7/8" Heavy Sponge Rubber Gasket

**C2090** "Crane"® type 1 1/16" sponge rubber

**C2091** Gerber type 1 3/16" sponge rubber

**C2092** Molded for American Standard

**C2093** Molded for Kohler.

**C2094** Recess Sponge Rubber for American Standard, Kohler

**C2100**

Bolt Washers. Cloth-inserted rubber for tank-to-bowl bolts.  
1 1/16" O.D. x 5/16" x 1/8" thick.



## BALLCOCK PACKINGS

**C2074**  
Split leather packing 3/4" O.D. x 15/32" I.D. x 5/32" thick

**C2075**  
Ballcock cup washer

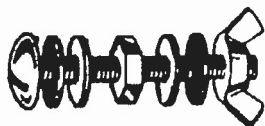


## RUBBER FLUSH VALVE SHANK WASHERS

**C2087**  
Standard size  
3 3/16" O.D. x 2 1/4" I.D. x 3/8" thick



**TOILET REPAIR, MISC.**

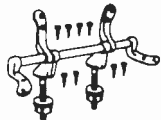


**C4431** 5/16" x 3" CLOSE COUPLED BOLT SET, Brass. Poly bagged. Includes two bolts, four rubber washers, four round STEEL washers, plated, two hex nuts, and two wing nuts, Sponge gasket NOT included.

**C4432** Same as C4431 except, Sponge gasket included

**C2017** Kit with recess sponge gasket.

**C4340** Seat hinge, brass, standard pattern, complete with plated screws, washers & nuts C.P.



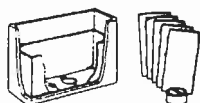
**C4340**



**C4341**

**C4341** Toilet tank tray - for unit closets. 22" long x 9-1/4" wide. Includes three thin metal brackets and tray.

**C4342** Toilet tank liner kit, tank liner kit fins most makes of toilet. Includes polystyrene foam and tube of adhesive.



**C4342**



**C4343**

**C4343** Toilet tank cover - All new replacement Speedy® tank cover is made of high-impact white plastic 22-1/2" x 8-1/2".

**C4372** Black poly tank float.

**C4831** Copper tank float.

**C4350** 5301 1/4" I.P.S. Male air cock. Solid brass.

**C4360** 3-1/2" Lead clean-out plug.

**C4361** 4" Lead clean-out plug.

**C4347** Radiator handle. The 5-in-1® handle.

**C4345** Loose Key/Coin air vent, bright plated. 1/8" I.P.S.

**C4346** Vent key, bright finish, 1/4".

**C4298** Drum trap cover with extended hexagon nut, C.P. die 4-1/4" diameter.



**C4372 - Plastic**  
**C4831 - Copper**



**C4347**

**C4322** Extension cover set with 5-1/4" S.S. cover, 3" counter sunk plastic plug.

**C4299** Adjustable cover style "A" with 5-1/4" S.S. Cover, 3-1/4" to 4" diameter, self-adjusting.

**C4348** Saddle Tee. Use on 1/2" I.P.S. outlet.

**C4349** Saddle Tee. Use on 5/8" O.D. Pipe or tube, has 1/2" I.P.S. outlet



**C4350**



**C4360**

**C2001** Valve handle, 1 each, painted red aluminum wheel type.

**C2003** Malleable iron sill cock key, 5/16", 1 each.



**C4345**



**C4346**



**C4322**



**C4348**



**C4298**



**C4299**



**C2001**



**C2003**



### BALLCOCK CUP WASHERS

**C2075** Leather ballcock cup washer for American standard  
9/16" O.D. x 1/4" I.D. x 1/16" thick



### BLACK RUBBER SPUD WASHERS

- C2127** 1" flanged spud washer. For 3/4" urinal spud
- C2128** 1 1/4" flanged spud washer
- C2129** 1 1/2" flanged spud washer
- C2130** 2" flanged spud washer
- C2132** 2" x 1 1/2" reducing spud washer

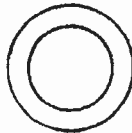


### CLOSET SPUDS

- C4440** 1" x 3/4" brass urinal spud
- C4441** 1"-1 1/4" x 3/4" brass urinal spud
- C4442** 1"-1 1/4" brass closet spud
- C4443** 1"-1/2" brass closet spud
- C4444** 2" brass closet spud
- C4445** 2" x 1 1/2" brass closet spud
- C4446** 2" x 1 1/4" brass closet spud
- C4448** 1 1/2" x 1 1/4" brass closet spud

### FRICTION RINGS FOR URINAL AND CLOSET SPUDS

- C4455** 1" x 3/4" gal. friction ring
- C4456** 1 1/4" x 1 1/4" gal. friction ring
- C4457** 1 1/2" x 1 1/2" gal. friction ring
- C4458** 2" x 2" gal. friction ring
- C4459** 2" x 1 1/2" gal. friction ring



### BRASS CLOSET SCREW NUTS – CLOSED

- C4421** 1/4" – 20 thread heavy
- C4422** 5/16" – 18 thread heavy



### CLOSET SCREWS – SOLID BRASS

- C6581** 1/4" x 2 1/2"
- C6582** 1/4" x 3 1/2"
- C4414** 5/16" x 2 1/2"
- C4415** 5/16" x 3 1/2"



### BRASS CLOSET BOLT NUTS – OPEN

- C4449** 1/4" – 20 thread heavy
- C4450** 5/16" – 18 thread heavy

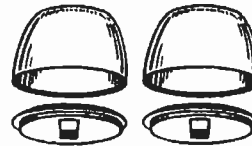


### BOLT CAPS

- C4828** Snap-on plastic w/holders, pair

### CLOSET BOLTS – SOLID BRASS

- C4417** 1/4" x 2 1/4"
- C4420** 1/4" x 3 1/2"
- C4416** 5/16" x 2 1/4"
- C4419** 5/16" x 3 1/2"



### OVAL WASHERS

- C5513** Nickel plated brass
- C4424** Stainless steel



### ROUND WASHERS

- C5512** Nickel plated brass
- C4423** Stainless steel



### LOWER LIFT WIRES – BRASS

- C4429** 4 1/2"
- C4428** 5"



### UPPER LIFT WIRES – BRASS

- C4430** 8"

### FLOAT RODS – BRASS

- C4435** 9"
- C4436** 10"
- C4437** 12"



### REFILL TUBES – COPPER

- C4433** 1/4" x 9"



### OVERFLOW TUBES – BRASS

- C4434** 1 x 10"

### EXPANDED END OVERFLOW TUBE

- C4439** 1 x 1 1/8 X 11"

### ALL-THREAD ROD – 1/4" – 20 THREAD

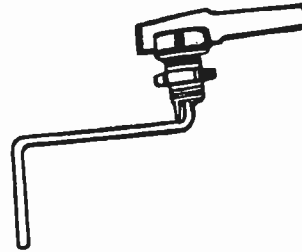
- C4425** 2 1/2"
- C4426** 12"
- C4427** 24"



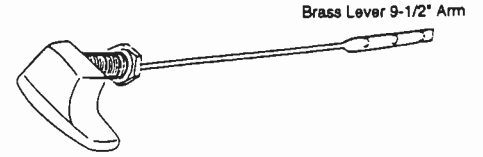
**TANK LEVERS**



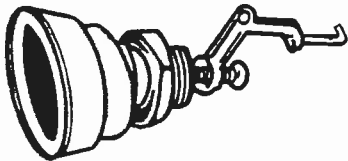
**C3761**  
AMERICAN STANDARD 33611-02  
ACTUATING UNIT  
for Luxor non-ventilated



**C3420**  
CASE Model No. 5106 (SP-6)



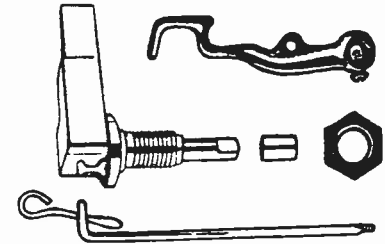
**C338**  
Side Mount Tank Lever for ELJER #40120



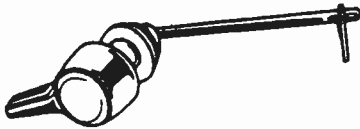
**C3762**  
AMERICAN STANDARD 33628-02  
ACTUATING UNIT  
for Luxor ventilated



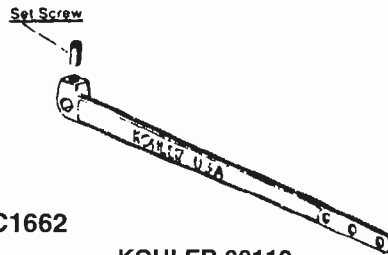
**C1674**  
KOHLER Trip Lever 30324



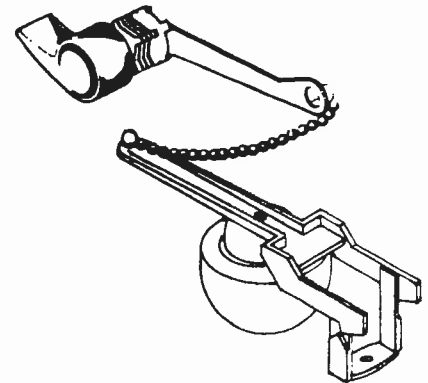
**C3430**  
CASE Model No. 5128 (SP-28)



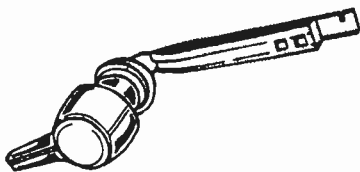
**C3940**  
AMERICAN STANDARD 73439



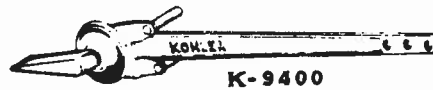
**C1662**  
KOHLER 30112



**C335**  
ELJER TOUCH FLUSH



**C3905**  
AMERICAN STANDARD 70437-02  
4" Arm used with No. 5 Flush Valve



**C1828**  
KOHLER K-500189



**K-9401**  
KOHLER K-500195  
SPECIAL ORDER



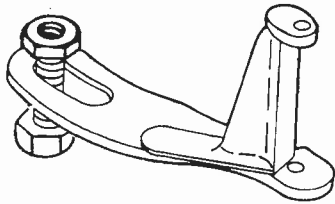
**C6855**



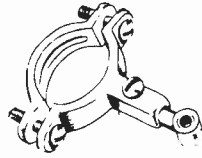
**C4592**

AMERICAN STANDARD TANK LEVERS (Not Shown)		
C3838	47242-0020A	For CADET II Chrome
C3833	47191-0020A	For CADET I Chrome
C3835	47221-0200A	For NEW CADET White

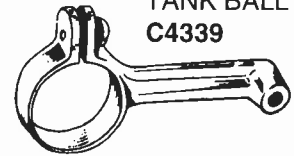
934 S.E. Sixth Avenue • Portland, Oregon 97214 • (503) 235-2167 • (800) 929-5039 • Fax (503) 239-3774



ELJER 40021  
GUIDE ASSEMBLY  
C337



ADJUSTABLE  
TANK BALL GUIDE  
C4338



STATIONARY  
TANK BALL GUIDE  
C4339

### MANSFIELD 03 BALLCOCK

Heavy-duty Brass Ballcock

- One length fits all tanks
- Lever adjusting screw for high water pressure
- Non-corrosive nylon seat
- Brass plunger
- 10" vinyl refill tube
- 8" brass float rod
- Brass locknut
- Brass coupling nut
- Individually boxed



C1929

### MANSFIELD 09 BALLCOCK

Competitive Brass Ballcock

- One length fits all tanks
- Brass plunger
- Non-corrosive nylon seat
- ABS hush tube
- 10" vinyl refill tube
- 8" brass float rod
- Brass locknut
- Brass coupling nut

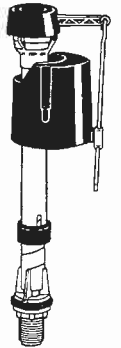


C1930

### FLUIDMASTER® 400-A TOILET TANK REPAIR VALVE

Ends toilet leaks, noise and water waste. Corrosion free. Installs easily. Fits most tanks. Replaces outdated float balls and rod assemblies. Code approved. Prevents back-flow.

C1509  
400CW/FLUSH VALVE  
C1510



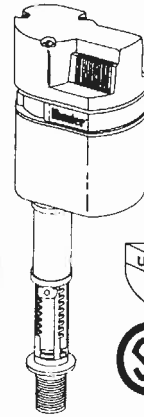
### THE COAST FOUNDRY 1B1 ALL PLASTIC ANTI-SIPHON WATER CONTROL VALVE

- |           |            |
|-----------|------------|
| C1426 10" | C1430      |
| C1427 11" | REPAIR KIT |
| C1428 12" | For 1B1    |



C282  
FILL VALVE  
Anti-Siphon

C259  
REPAIR KIT  
(Not Shown)



**Hunter®**

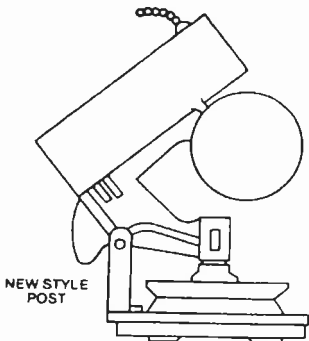
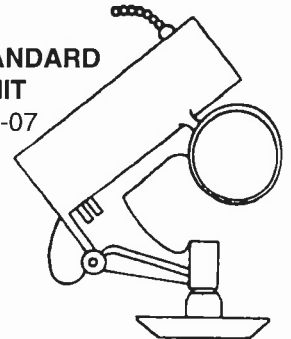


### 555 FLUIDMASTER® FLUSHER FIXER® KIT

Ends toilet tank outlet leaks. Easy to install. Corrosion free. Eliminates outdated lift wires and guides. C1513

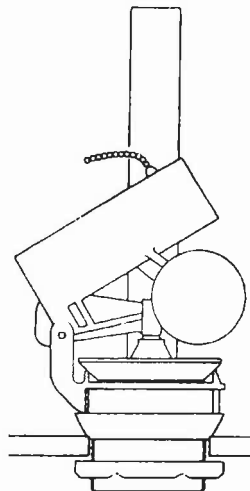
### AMERICAN STANDARD ACTUATING UNIT

#C3937 73380-07

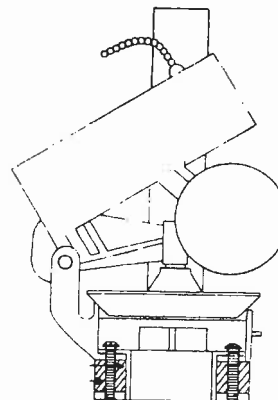


### AMERICAN STANDARD

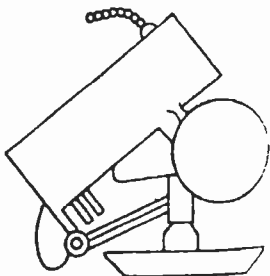
- C3810 47086-07 #4  
C3811 47087-07 #3



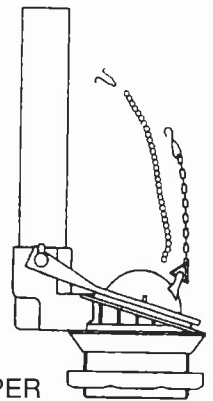
AMERICAN STANDARD  
C3813 47089-07 #5



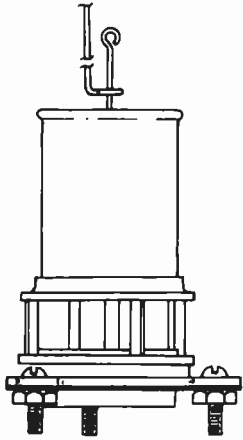
AMERICAN STANDARD  
C3813 47049-07 #6



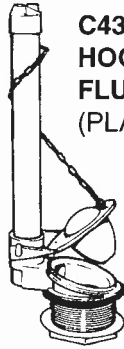
AMERICAN STANDARD  
ACTUATING UNIT  
C3763 33642-07



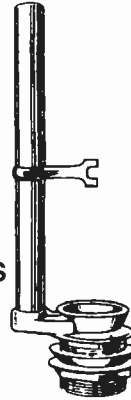
AMERICAN STANDARD  
C3825 47146-07 CHAIN FLAPPER



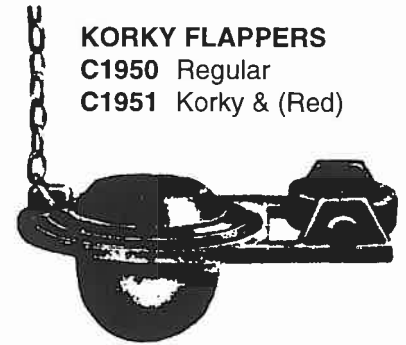
**C3956**  
**CURTIN No. 50 FLUSH VALVE**



**C4367**  
**HOOVERLINE**  
**FLUSH VALVE**  
(PLASTIC)



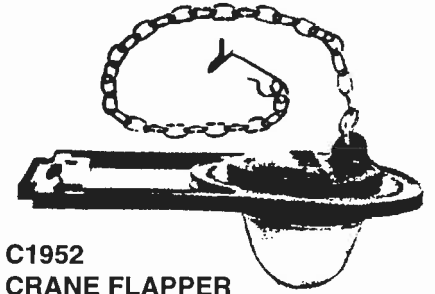
**C4438 DOUGLAS**  
**FLUSH VALVE**  
(BRASS)



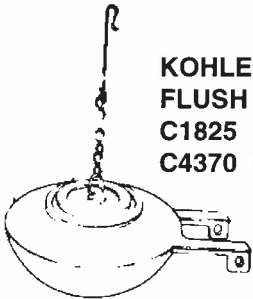
**KORKY FLAPPERS**  
**C1950 Regular**  
**C1951 Korky & (Red)**



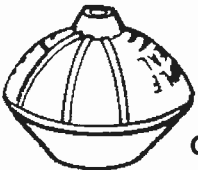
**C6595**  
**B-1 GARD-O-FLAPPER**



**C1952**  
**CRANE FLAPPER**



**KOHLER No. 49114**  
**FLUSH BALL**  
**C1825 OEM**  
**C4370 Generic**

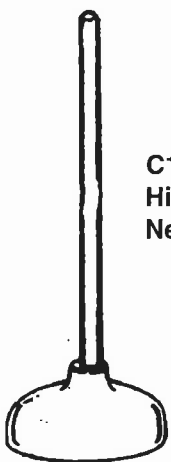


**C2171 HEAVY DUTY**

**GENERIC OEM**

**C1989 C3764 SNAP-ON TYPE TILT VALVE SEAT DISC** for American Standard No. 5

**C1988 C3939 THREADED SCREW-ON TYPE TILT VALVE SEAT DISC** for American Standard No. 5 Tilt Flush Valve



**C1992**  
**5-1/2" Red**  
**Force Cup**

**FORCE CUP**  
**PLUNGERS**

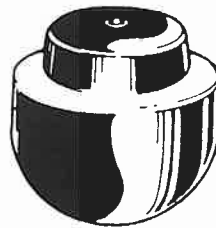
**C1994**  
**High**  
**Neck**



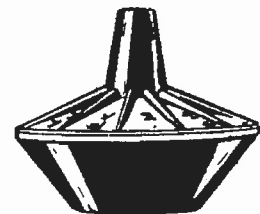
**C5533**  
**Ball Type**  
**Plunger**



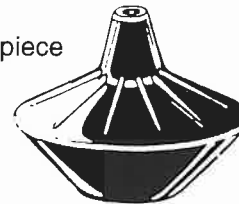
**C1996**



**C1991**  
**41745 2 1/2"**  
**TANK BULBS**  
Molded in one piece



**TRIPLE SEAL**  
**C2166 STANDARD 2 1/2"**  
**C2169 3"**



**C1987 41747**  
**UNIVERSAL TANK BALL**  
Molded in one piece  
Fits all valves 2 1/4", 2 3/8",  
2 1/2", 2 5/8"

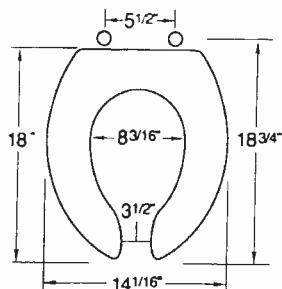


**C336 40013**  
**TANK BULB FOR**  
**ELJER "TOUCH-**  
**FLUSH" UNIT**

(Not Shown) 4" Cup w/9" Handle - **C1993**

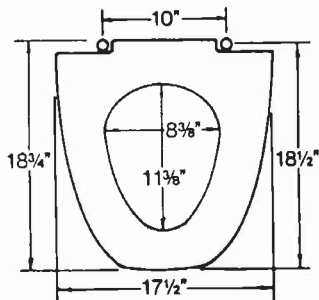
934 S.E. Sixth Avenue • Portland, Oregon 97214 • (503) 235-2167 • (800) 929-5039 • Fax (503) 239-3774

- C544** White Church 290TL
- Duraloy® Solid Plastic Elongated Bowl
  - "Locked-In" Top-Loc® Hinges
  - Feature No-Slip Washer
  - Scratch and Stain Resistant, Easy to Clean
  - Resistant to Chemicals and Cleaning Agents
  - Open Front
  - Less Cover

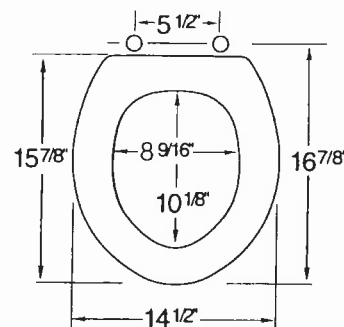


**C545** Black

- C4735** Church LC212 White
- Duraloy® Solid Plastic to Fit American Standard 2003.010, 2003.036 Luxor, 2010.031 Carlyle, or 2009.017 Roma
  - Scratch and Stain Resistant, Easy to Clean



- C539** White Church 3TT
- Duraloy® Solid Plastic Regular and Elongated Bowl
  - "Locked-In" Top-Loc® Hinges
  - Feature No-Slip Washer
  - Resistant to Chemicals and Cleaning Agents
  - Closed Front
  - With Cover
  - Lighter Duty Than 300TL, 380TL



**OTHER SEATS NOT SHOWN**

- C552** Church 135TT
- Lighter Duty Version of 290TL above

- C549** Church 800CCP
- For Case 1000 - 7" Hinge

- C557** Church 2L2155
- 2" Lift Handicap Seat

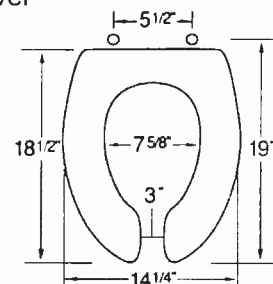
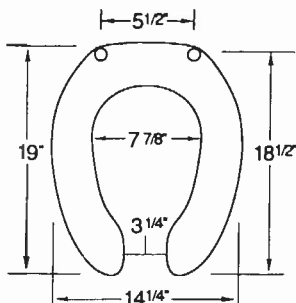
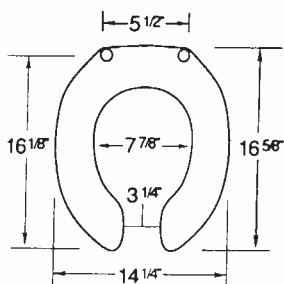
- C535** White Church 397SSC
- Duraloy® Solid Plastic Regular Bowl
  - External Check Hinge - SS
  - Resistant to Chemicals and Cleaning Agents
  - Regular Bowl Size
  - Open Front
  - Less Cover

**C536** Black

- C537** White Church 295SSC
- Duraloy® Solid Plastic Elongated Bowl
  - External Check Hinge - SS
  - Scratch and Stain Resistant
  - Resistant to Chemicals and Cleaning Agents
  - Elongated Bowl Size
  - Open Front/Less Cover

**C538** Black

- C546** Church 9500C White
- Extra Heavy Duraloy® Solid Plastic Elongated Bowl
  - External Check Hinge
  - Scratch and Stain Resistant, Easy to Clean
  - Resistant to Chemicals and Cleaning Agents
  - Open Front
  - Less Cover

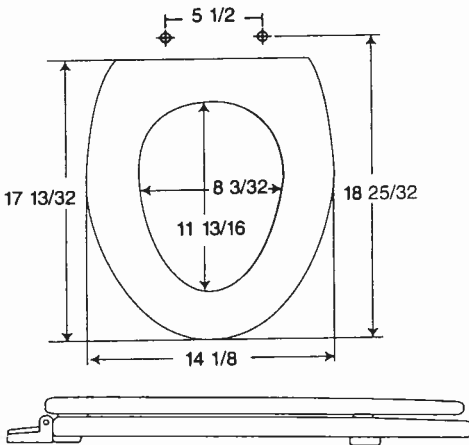




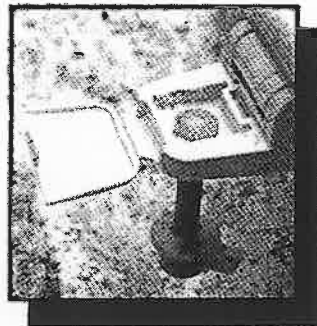
934 S.E. Sixth Avenue • Portland, Oregon 97214 • (503) 235-2167 • (800) 929-5039 • Fax (503) 239-3774

**C561**

- Church 585SF White  
 Other colors available
- Molded Wood
  - Closed Front with Cover
  - Elongated Seat
  - Sleek Design

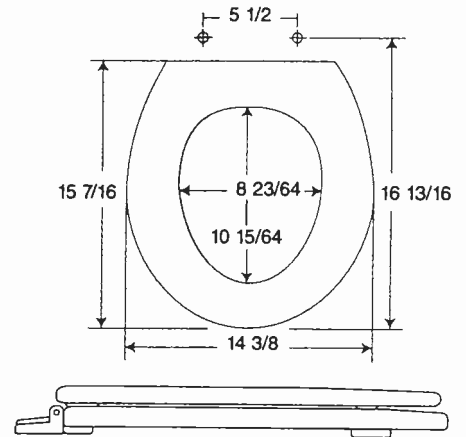


C561, C547 feature Ultima hinges



**C547**

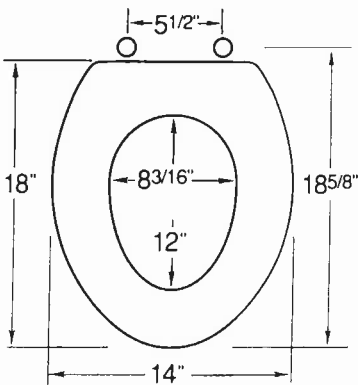
- Church 540SF White  
 Other colors available
- Molded Wood
  - Closed Front with Cover
  - Regular Round Seat
  - Sleek Design



**LIMITED 2 YEAR WARRANTY**

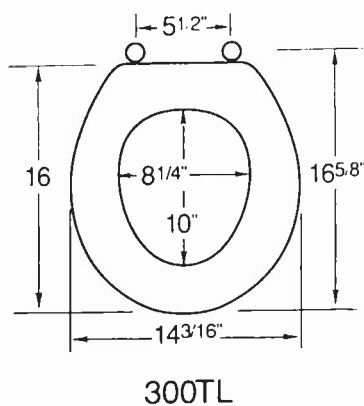
**C543**

- Church 380TL White  
 Other colors available
- Duraloy® Solid
  - Plastic Elongated Bowl
  - "Locked-In" Top-Loc® Hinges
  - Feature No-Slip Washer
  - Scratch and Stain Resistant, Easy to Clean
  - Resistant to Chemicals and Cleaning Agents



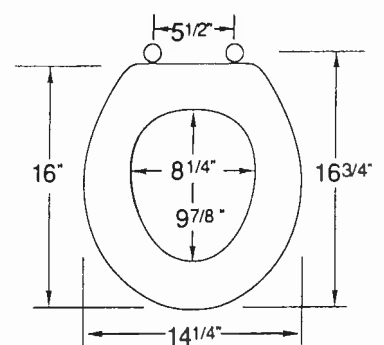
**C541**

- Church 300TL White
- Duraloy® Solid
  - Plastic Regular Bowl
  - "Locked-In" Top-Loc® Hinges
  - Feature No-Slip Washer
  - Scratch and Stain Resistant, Easy to Clean
  - Resistant to Chemicals and Cleaning Agents



**C556**

- Church 60 White
- Solid Plastic
  - "Locked-In" Top-Loc® Hinges
  - "Locked-In" Hinges
  - To Prevent Wobbling
  - Competitive Seat



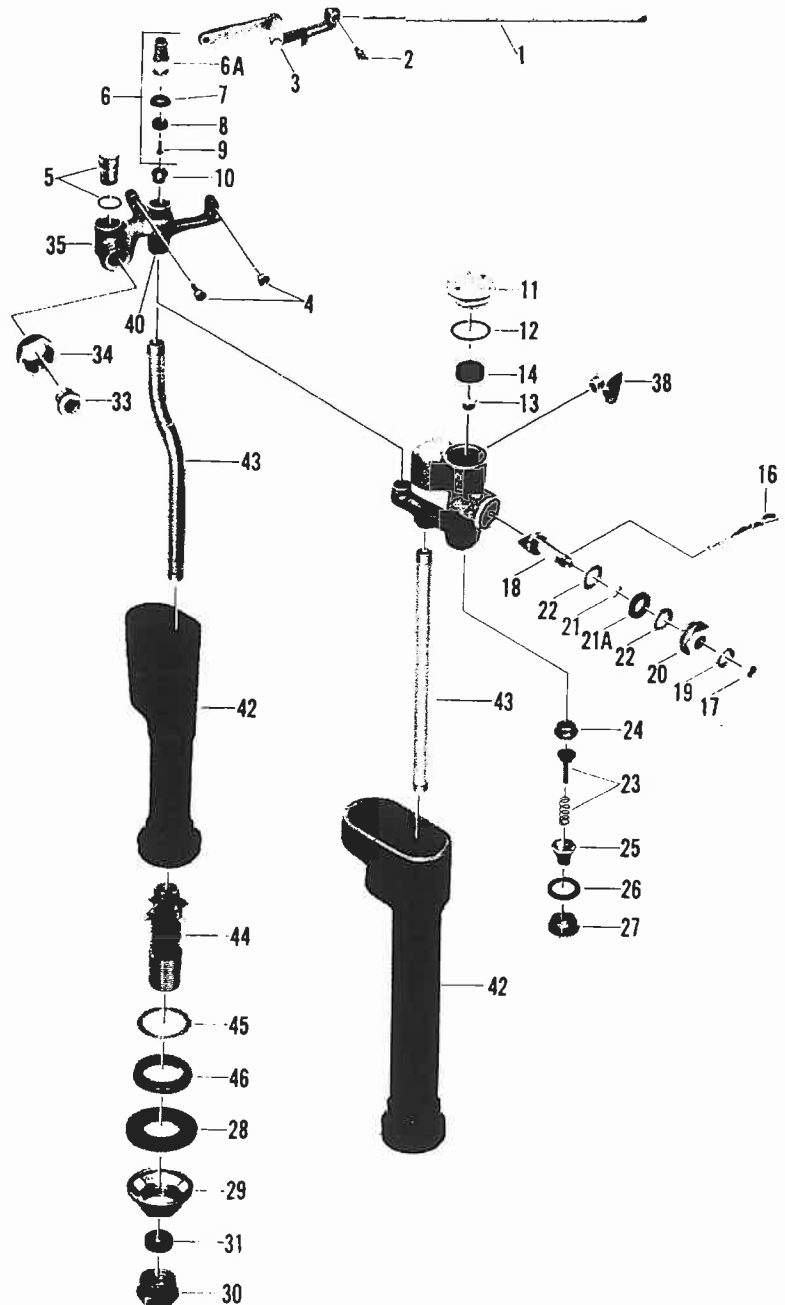
934 S.E. Sixth Avenue • Portland, Oregon 97214 • (503) 235-2167 • (800) 929-5039 • Fax (503) 239-3774

no.	description	part no.
1	Float Rod	82-27
	Float Rod	33448-07*
	Float Rod	33477-07*
2	Float Rod Thumb Screw	558-07
3	Lever S/A	10740-07
4	Thumb Screws (2)	557-17
5	Volume Regulator S/A	10765-07
6	Plunger S/A (Parts 6A,7,8,9)	8339-07
6A	Plunger	33245-07*
7	Plunger Washer	1853-07
8	Stem Washer	233-17
9	Screw	190-07
10	Seat - Monel	1663-07*
	Seat - Nylon	1852-07
11	Cap	25672-07
12	Washer	1888-07
13	Seat	33542-07
14	Float	25670-07
15	Deflector	33445-07*
16	Arm	33476-07
	Arm	33513-07*
	Arm	33453-07*
	Arm	33452-07*
17	Locknut	79-17
18	Stem	33454-07
19	Washer	113-17
20	Packing Nut	33450-07
21	Washer	64705-07
21A	Packing Seal	64706-07
22	Packing Washer (2)	64704-07
23	Valve Stem S/A	12004-07
24	Valve Seat	12002-09
25	Screen	12248-07
26	Gasket	12007-07
27	Plug	12268-07
28	Base Gasket	73477-07
	Shank Washer	1028-07*
29	Shank Locknut	73478-07
	Shank Locknut	24401-07*
30	Coupling Nut	226-47
31	Coupling Washer	125-07
32	Refill Tube	70450-07
	Refill Tube	70451-07
	Refill Tube	70452-07*
	Refill Tube	70453-07*
32A	Refill Tube Clip	72989-07*
32B	Supply Tube S/A	33626-07*
32C	Supply Tube S/A	33442-07*
33	Swivel	33132-07*
34	Nut	24970-07
35	Body	33635-07*
36	Body	33443-07*
37	Body	33269-07*
38	Male Elbow	33252-07
39	Adaptor	33636-07*
40	Nipple	33456-07*
41	Backflow Preventor	25625-07*
	Backflow Preventor	33469-07*
	Backflow Preventor	33470-07*
42A	Sheath Tube S/A	33621-07*
42B	Sheath Tube S/A	33403-07*
42C	Sheath Tube S/A	33609-07*
43	Shank Extension	33623-07*
	Shank Extension	33186-07*
	Shank Extension	33447-07*
	Shank Extension	33463-07*
	Shank Extension	33606-07*
44	Shank	73483-07
	Shank	32994-07*
45	Lock Ring Washer	73473-07
46	Lock Ring	73472-07

• NOT AVAILABLE

### TOILET TANK FITTINGS

Luxor 2002 V (N 3045 LV)  
Luxor 2002 (N 3045 L)

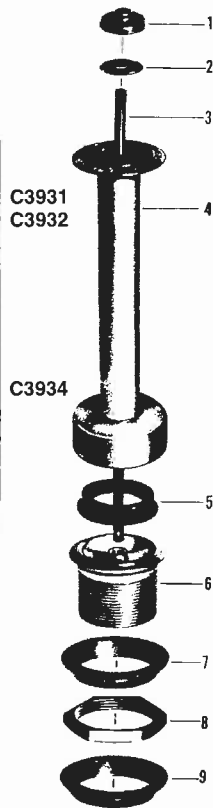


934 S.E. Sixth Avenue • Portland, Oregon 97214 • (503) 235-2167 • (800) 929-5039 • Fax (503) 239-3774

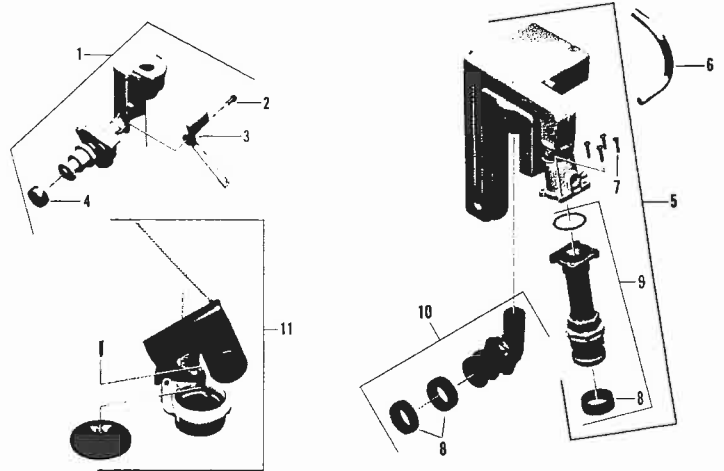
**TOILET TANK FITTINGS  
N 3055**

no.	description	part no.
1	Grommet	73058-07
2	Stop	73059-07
3	Guide Tube - 11 9/16" Long	73054-07
	Guide Tube - 12 5/16" Long	73055-07
	Guide Tube - 13 3/16" Long	73056-07
	Guide Tube - 14 11/16" Long	73057-07
4	Float S/A - 9 1/32" Long	73060-07*
	Float S/A - 9 25/32" Long	73061-07*
	Float S/A - 10 21/32" Long	73062-07*
	Float S/A - 12 5/32" Long	73063-07*
5	Seal	73069-07
6	Body	73050-07*
7	Washer	1039-07
8	Lock Nut	73217-07
9	Washer - Soft Rubber	73216-07
	Washer - Hard Rubber	1039-07

● NOT AVAILABLE



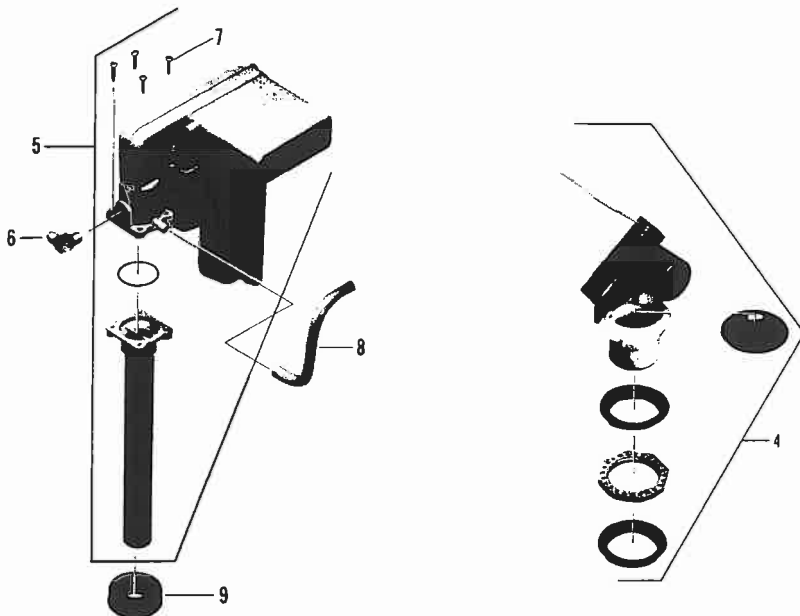
**VENTILATED TOILET TANK COMPONENTS  
2003 V, 2090 V**



no.	description	part no.
1	Back Flow Preventer S/A	33633-07
2	Screw	33334-07
3	Paddle Lever	33409-07
4	Rubber Seal	33420-07
5	Ventilator S/A	33492-07
	Ventilator S/A	33490-07
6	Vacuum Tube	33457-07
7	Mounting Screws (4)	33253-07*
8	Rubber Seal	33496-07
9	Discharge Tube S/A	47054-07
10	Mounting Elbow S/A	33501-07
11	Flush Valve #6	47049-07**

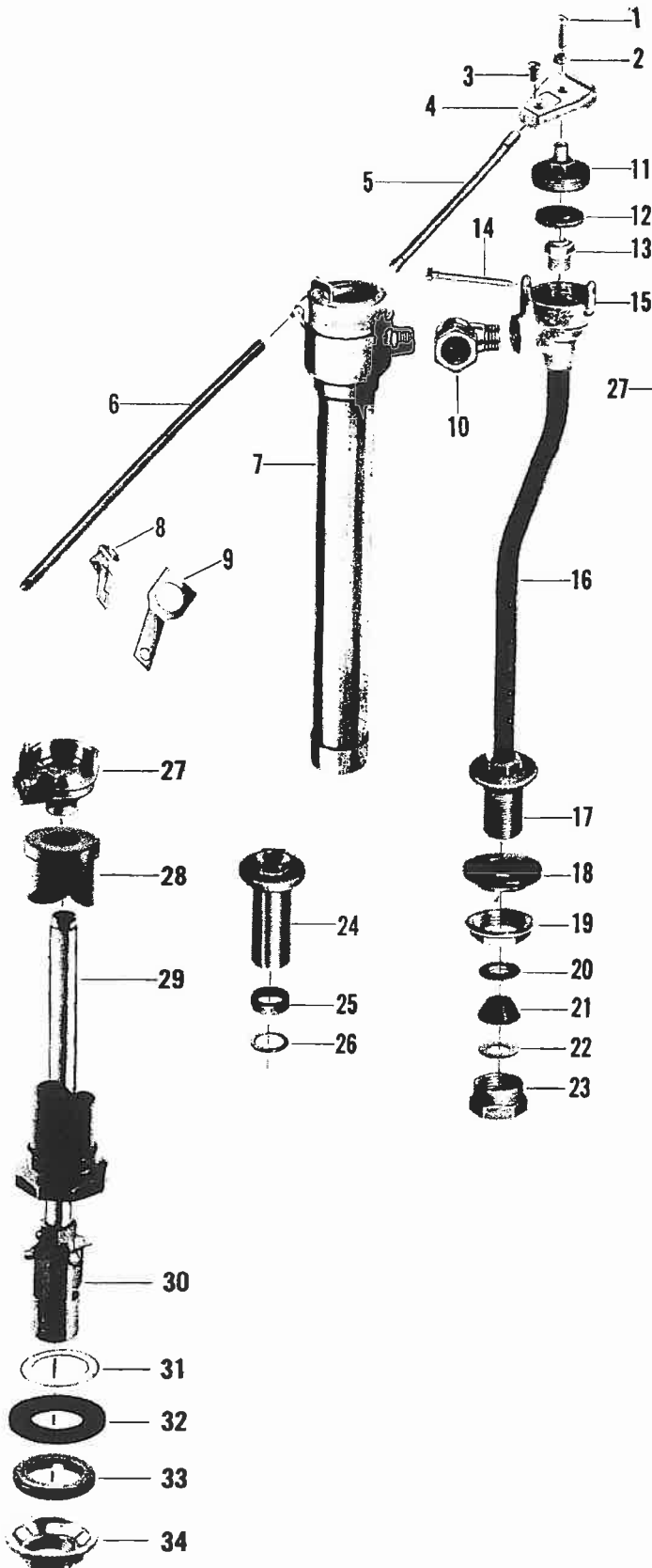
● NOT AVAILABLE

**VENTILATED TOILET TANK COMPONENTS  
4052 Compact, 2093 Glenwall**



no.	description	part no.
1	Trip Lever S/A	33459-02
2	Lock Nut	73081-07
3	Retainer	73389-07
4	Flush Valve S/A	47089-07
	Flush Valve S/A (3158.086)	
5	Ventilator S/A	33488-07
6	Male Elbow	33252-07
7	Screws	33253-07*
8	Vacuum Tube	33457-07
9	Gasket	33455-07

● NOT AVAILABLE



### TOILET TANK FITTINGS

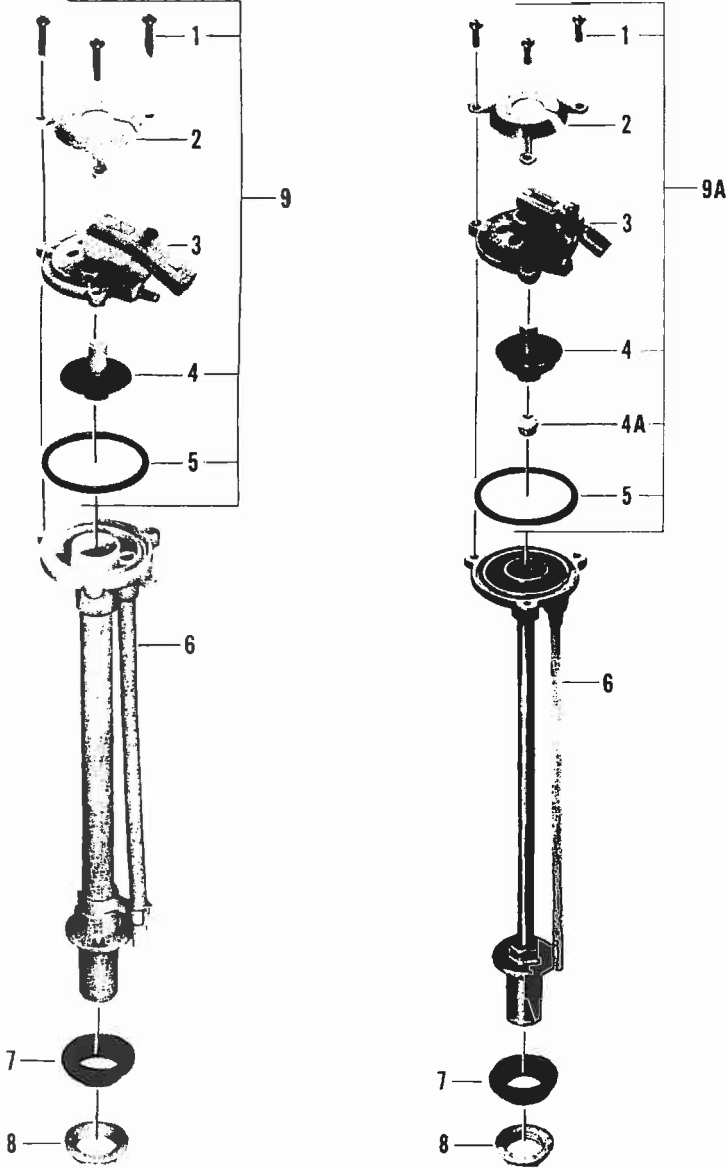
Series 3131, 3132, 3133,  
3136, 3137 (N 3025)

no.	description	part no.
1	Screw	73255-05
2	Nut	73016-05
3	Screw	73017-05
4	Pivot Arm	73019-09
5	Float Rod - 11" Long	73014-07
	Float Rod - 8 1/2" Long	73021-07
6	Refill Tube - 8 1/2" Long	73023-07
	Refill Tube - 11" Long	73025-07
	Refill Tube - 6" Long	73455-07*
	Refill Tube - 7" Long	73022-07
7	Backflow Preventer S/A - 8 1/16" Long	73040-07
	Backflow Preventer S/A - 9 3/16" Long	73035-07
	Backflow Preventer S/A - 9 15/16" Long	73036-07
	Backflow Preventer S/A - 9 15/16" Long	73039-07
	Backflow Preventer S/A - 10 13/16" Long	73037-07
	Backflow Preventer S/A - 8 13/16" Long	73424-07
	Backflow Preventer S/A - 12 5/16" Long	73038-07*
	Backflow Preventer S/A - 8 1/16" Long	73480-07*
8	Tube Clip	73027-07
9	Tube Guide	73026-07
10	Elbow	73049-07
11	Cap & Plunger S/A	73071-07
12	Seal	C3935 73070-07
13	Seat	C3930 73002-07
14	Pivot Pin	73018-07
15	Body	73001-07*
16	Shank Extension - 9" Long	73007-07*
	Shank Extension - 10" Long	73008-07*
	Shank Extension - 10 7/8" Long	73009-07*
	Shank Extension - 10 7/8" Long	73121-17*
	Shank Extension - 10" Long	73120-17*
	Shank Extension - 11 3/4" Long	73010-07*
	Shank Extension - 9 3/4" Long	73422-17*
	Shank Extension - 13 1/4" Long	73011-07*
17	Shank	32994-07*
18	Washer	C3600 1028-07
19	Lock Nut	24401-07
20	Washer	125-07
21	Washer	C3537 411-37
22	Friction Ring	73030-07
23	Coupling Nut	226-47
24	Shank - 2 1/2" Long	32978-07*
25	Washer	117-07
26	Friction Ring	359-07
27	Body	73481-07*
28	Sheath Tube S/A	73475-07*
29	Shank Extension	73479-07*
30	Shank	73483-07
31	Gasket	73473-07
32	Gasket	C3941 73477-07
33	Lock Ring	73472-07
34	Shank Lock Nut	73478-07

C3706 Kit items 11, 12, 13

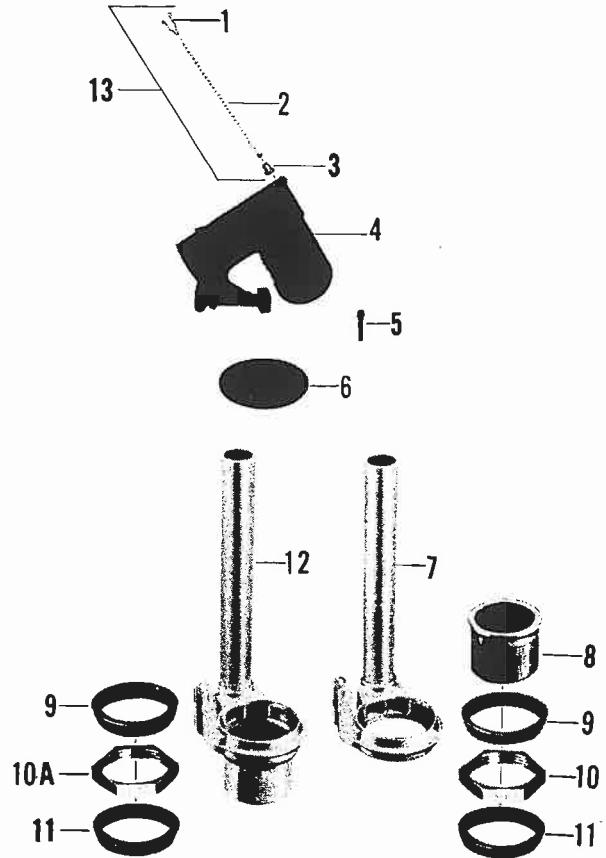
• NOT AVAILABLE

**TOILET TANK FITTINGS**  
for Plebe Toilet 4079 Series



no.	description	part no.
1	Brass Screws	Not Available
2	Delrin Cover	Not Available
3	Float Rod Lever Arm & Top	Not Available
4	Piston & Washer Assembly	Not Available
4A	Delrin Seat	Not Available
5	Sealer Ring	Not Available
6	Body w/Shank	Not Available
7	Rubber Shank Washer	1028-07
8	Locknut	24401-07
9	Repair Kit Includes Items 1, 4, and 5 only	34606-07
9A	Repair Kit Includes Items 1, 4, 4A, and 5 only	34628-07

**TOILET TANK FITTINGS**  
3158 Series (#5)



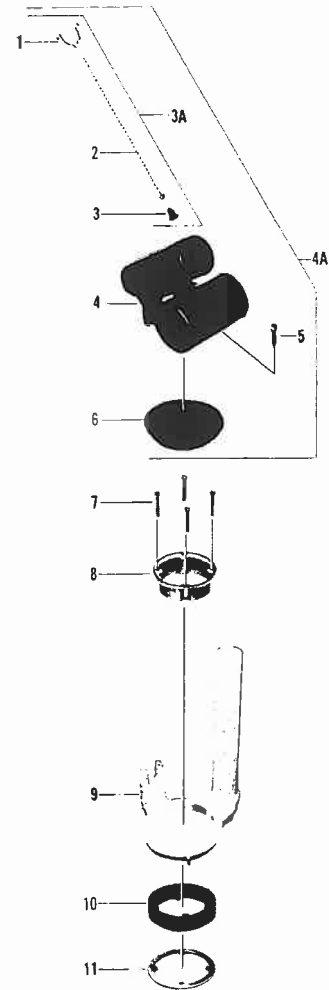
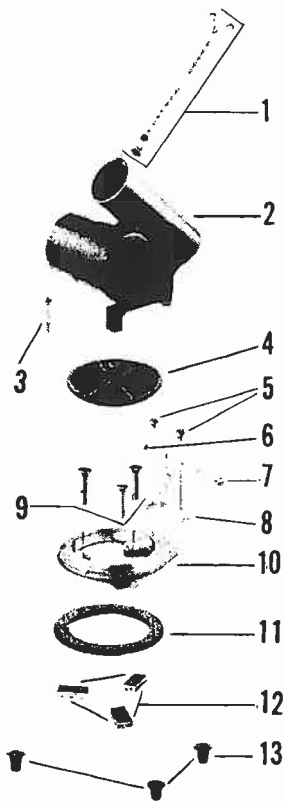
no.	description	part no.
1	Lift Chain Retainer	73389-07*
2	Lift Chain	73388-07*
3	Grommet	73387-07*
4	Actuating Unit*	73381-07*
5	Screw for Seat Disc	73382-07
6	Seat Disc	73383-07
7	Body & Overflow Tube S/A	73384-07*
8	Spud	73391-07
9	Washer	1039-07
10	Lock Nut	73217-07
10A	Lock Nut	33332-07
11	Washer	73216-07
12	Body, Overflow Tube & Spud S/A	33330-07*
13	Lift Chain S/A	8321-07

Sub-assemblies      \* NOT AVAILABLE  
C3937 \* Actuating Unit S/A - (Parts 2-3-4-5-6) - #73380-07



### TOILET TANK FITTINGS 3159 Series (#6)

### TOILET TANK FITTINGS 3156 Series (#4)



no.	description	part no.	
1	Lift Chain S/A	8321-07	C3680
2	Actuating Unit*	721-27*	
3	Screw for Disc	73382-07	C3936
4	Seat Disc	73383-07	C3939
5	Support Leg Screw	737-27	
6	Nut	732-37	C3571
7	Screw	733-37	C3572
8	Support Leg	722-27	C3567
9	F.H. Screw	729-27	C3570
10	Seat	33199-07	C3756
11	Seal	715-27	C3566
12	Fastening Lug	727-27*	C3569
13	Bolt Hole Seal	726-27	C3568

Sub-assembly      ● NOT AVAILABLE  
\*Float S/A - (Parts 1 thru 8) - #8162-U/  
C3677

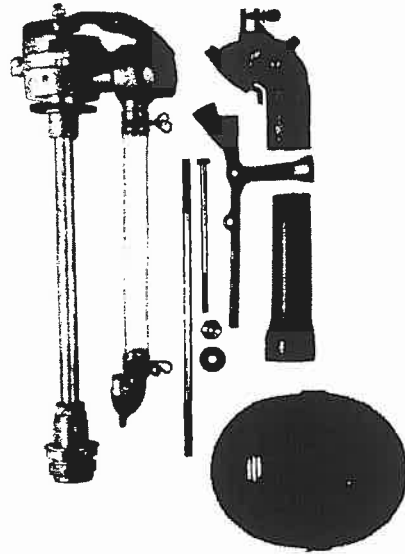
no.	description	part no.	
1	Chain Retainer	73389-07	
2	Chain	73388-07	
3	Grommet	73387-07	
3A	Lift Chain S/A	8321-07	C3680
4	Actuating Unit	33500-07*	
4A	Actuating Unit S/A	73380-07	C3937
5	Disc Screw	73382-07	C3938
6	Seat Disc	73383-07	C3939
7	Screws	33333-07	
8	Retainer	33466-07	
9	Body S/A	33465-07*	
10	Seal	33410-07	
11	Compression Plate	33412-07	C3757

● NOT AVAILABLE  
Furnished complete (Parts 1 thru 11) - #47049-07  
C3807



**Model No. 5164 Cat. No. C6285**  
**No. 62-8 Ballcock** (complete with float rod and float)

This ballcock is a VACUUM BREAKER type that requires no refill tube. The supply (Riser Pipe, Part 62-5) is shielded by a china housing. The tank refilling is accomplished wholly thru the diverter valve and jet pump. The vacuum breaker, or anti-siphon, feature is an open atmospheric vent. The vent disc prevents water from spilling thru the vent opening when pressure is on an open ballcock. This vent will relieve any vacuum condition on supply lines WITHOUT ANY BACK SIPHONAGE. The WATER VOLUME CONTROL is located just beyond the plunger. Closing the knurled head puts back pressure on the plunger and reduces the rate of flow thru the ballcock.



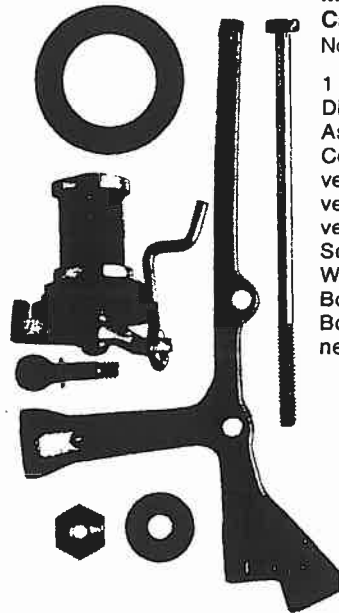
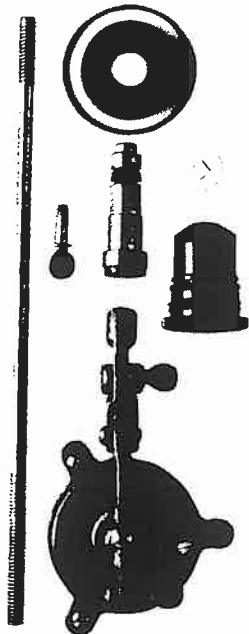
**REPLACEMENT PARTS FOR THE 62-8 BALLCOCK**

**Model No. 5110 (SP-10)**  
**Cat. No. C3421**  
**No. 62-8 Diverter Valve Parts**

1 62-28 Diverter Valve, 1 8-46 Diverter Valve Fulcrum Arm, 1 Assembly 62-30 Diverter Valve Connecting Wire and 8-31A Diverter Valve Arm, 1 62-32 Diverter Valve Screw, 1 62-33 Diverter Valve Cap, 1 62-16 Thumb Screw, 1 62-34 Rim Connection Washer, 1 62-35 Rim Connection Bolt, 1 62-36 Rim Connection Bolt Washer, 1 62-37 Rim Connection Bolt Nut.

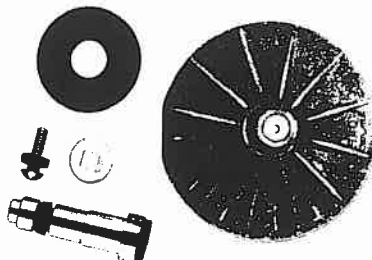
**Model No. 5101 (SP-1)**  
**Cat. No. C6286**  
**Conversion Kit to No. 62-8 Ballcock**

1 62-11 Vent Disc, 1 62-13 Vent Cap Washer, 3 62-15 Vent Cap Screws, 2 62-16 Thumb Screws, 1 8-14A Vent Cap, 1 8-18A Float Rod—9" Stiff Brass, 1 8-42A Plunger—brass, complete with Part 62-12A Plunger Cup Washer and Part 62-40 Seat Washer (Flat), 1 8-47 Plunger Fulcrum Arm, 1 8-48 Float Rod Fulcrum Arm, 1 8-49 Water Level Adjusting Screw, 1 8-50 Lock Nut for Adjusting Screw, 1 62-44 Volume Control with Parts 62-22 "O" Ring and Part 62-43 Plug, 1 62-39 Seat (for Flat Seat Washer).



**Model No. 5119 (SP-19)**  
**Cat. No. C3424**  
**No. 62-8 Plunger Assembly**

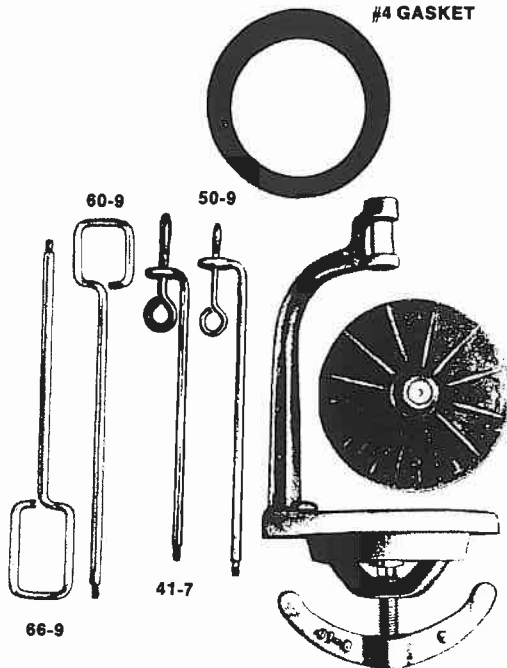
1 8-42A Plunger Assembly with Parts 62-12A Cup Washer and Parts 62-40 Seat Washer, 1 62-39 Seat, 1 62-11 Vent Disc, 1 8-49 Water Level Adjusting Screw, 1 8-50 Locknut for Adjusting Screw, 1 60-5 Triple Seal Ball.



**Model No. 5112 (SP-12)**  
**Cat. No. C3423**  
**No. 62-8 Pump Assembly**

1 62-26 Jet Pump Body, 1 8-25A Jet Pump Elbow, 2 62-24 Connecting Tube Clamps, 1 8-23A Connecting Tube-7".





### REPLACEMENT PARTS FOR THE 62-8 BALLCOCK

**Model No. 5129 (SP-29)**  
**Cat. No. C3431**

1 — #41-6, 50-60, 66 Flush Valve Complete.

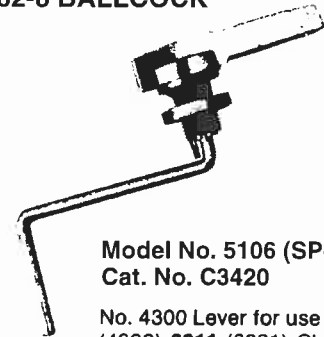
This Shrink Package comes with #41-7, #50-9, #60-9, and #66-9 Lift Wires.

The Second Pattern Model A uses the 41-6 Flush Valve with the 41-7 Lift Wire.

The 1000, 1100, and 3000 use the #50-60 Flush Valve with the #50-9 Lift Wire (with 50-3 Lift Arm) or the #60-9 Lift Wire (with 60-5 Lift Arm).

The #6000 (3200), 4000A, 4100A, #6011 (6001) (4200), #6002 (4300), #6005 (9000), #6006 (9100) use the #66 Flush Valve with the 66-9 Lift Wire.

This Valve comes with a Triple Seal Ball which must be used as a replacement.



**Model No. 5106 (SP-6)**  
**Cat. No. C3420**

No. 4300 Lever for use with **6002** (4300) **6011** (6001) Closets only  
1 Complete Lever with Parts 1 and 2.

In installing and adjusting this lever the important items to check are (1) clearances, (2) freedom from binding or side thrust and (3) smooth operation.

Parts:

1. Handle, Lift Arm Unit
2. Locknut

**Model No. 5163 Cat. No. C3437**  
**No. \*62-66 Ballcock Assembly**  
(complete with float rod and float)



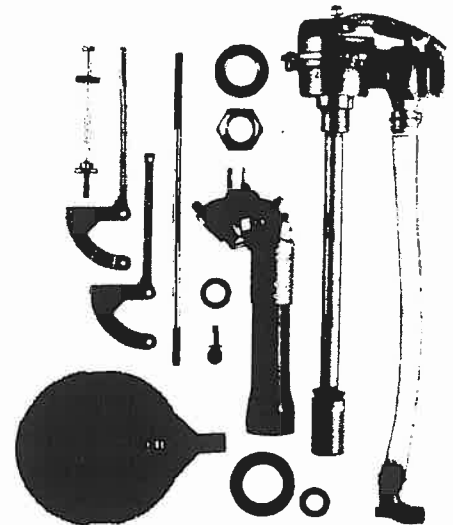
The original float rod-plunger arm was changed to the adjustable plunger fulcrum arm (part 62-17) with a lock nut (part 62-17A). With this change a brass plated steel (11") float rod was used to prevent bending and to shut off at high pressures. After much experience this was changed to a 10" stiff brass rod. The lock nut should always be tightened after adjusting to prevent chattering.

\*Due to the improvement of the compound level and a positive water level adjusting screw, the 62-8 ballcock body will be used instead of the 62 body, which is obsolete.

Note—Diverter Valve Fulcrum Arm

Use 62-29 with 62 flush valve

Use 62-45 with 66 flush valve



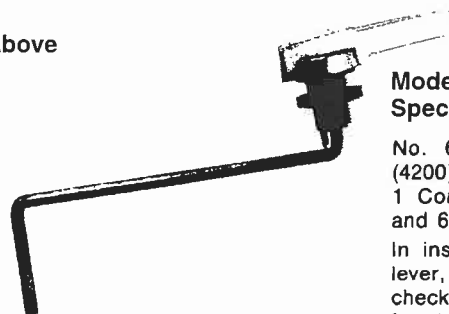
### REPLACEMENT PARTS FOR THE 62-66 BALLCOCK

NOTE: Use SP-29 Above



**Model No. 5111 (SP-11)**  
**Cat. No. C3422**

1 62-26 Jet Pump Body, 1 62-25 Jet Pump Elbow, 2 62-24 Connecting Tube Clamps, 1 62-23 Connecting Tube.



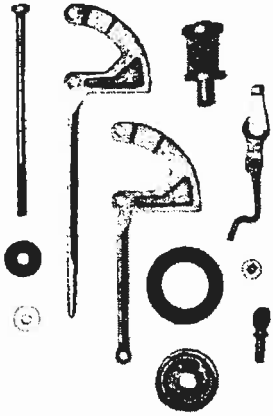
**Model No. 5104 (SP-4)**  
**Special Order**

No. 62 Lever (4000, 4000A, (4200) Closets (4100), (4100A)  
1 Complete Lever, Parts 62-1 and 62-2.

In installing and adjusting this lever, the important items to check are (1) clearances, (2) freedom from binding or side thrust and (3) smooth operation.



**REPLACEMENT PARTS FOR  
THE 62-66 BALLCOCK**



**Model No. 5109 (SP-9)  
Special Order**  
No. 62-66 Diverter Valve Parts

1 62-28 Diverter Valve, 1 62-45 Diverter Valve Fulcrum Arm (Long), 1 Assembly Parts 62-30, 62-31 Diverter Valve Connecting Wire and Arm, 1 62-32 Diverter Valve Screw, 1 62-33 Diverter Valve Cap, 1 62-16 Thumb Screw, 1 62-34 Rim Connection Washer, 1 62-35 Rim Connection Bolt, 1 62-36 Rim Connection Bolt Washer, 1 62-37 Rim Connection Bolt Nut. 1 — #62-29 Diverter Valve Fulcrum Arm.

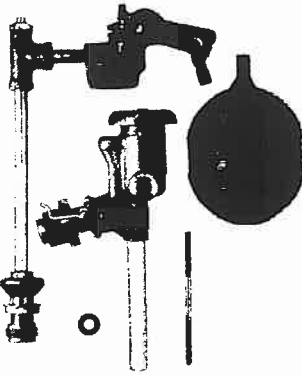


**Model No. 5103 (SP-3)**  
(for the 4000-4100 Closet)  
**Cat. No. C3419**  
(For No. 62 Flush Valve)  
No. 62 Black Flapper with Chain and Hook

The position of the pivot pins for the flapper on our No. 62 Flush Valve are such that a special flapper is required. Most flappers available for other flush valves will not seal.

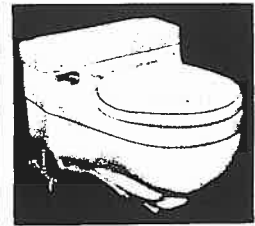
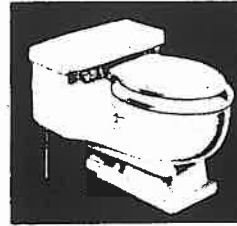
**Parts:**  
**62-6** Flapper Valve  
**62-7** Flapper Valve Chain  
**62-8** Chain Hook

**Model No. 5150 (No. 50) Cat. No. C3434**  
(complete with float rod and float)



This ballcock operates the same as any compound lever ballcock, except that there is no refill tube. The refilling of the bowl is done through the diverter valve.

The Vacuum Breaker on the ballcock is an open atmospheric vent. The hard rubber ball which seats on a neoprene washer in the vent is NOT a check valve, nor does its function have anything to do with the venting. Its ONLY purpose is to prevent water from spilling through the vent opening when pressure is on an open ballcock. This vent will relieve any vacuum condition on supply lines WITHOUT ANY BACK SIPHONAGE—No other float closet is so adequately protected. WATER VOLUME CONTROL is located beside plunger. Closing the knurled head puts back pressure on plunger and reduces the rate of flow through the ballcock.

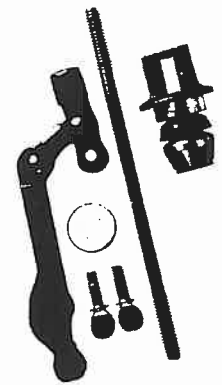
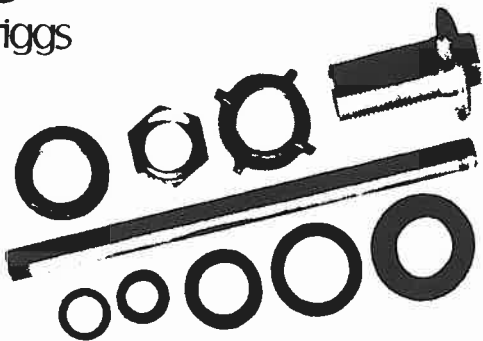


**No. 1000-1100 Models Case One-Piece Water Closet**     **No. 3000 Case Wall Hung One-Piece Water Closet**

The No. 50 Ballcock is used on the models shown above. Use these photos to help identify your closet to acquire the correct parts needed.



**REPLACEMENT PARTS FOR  
THE NO. 50 BALLCOCK**



**Model No. 5132 (SP-32) Cat. No. C3433**  
No. 50 Ballcock Parts – General Repair

1 21-50 Rim Connection Nut, 1 22-50 Rim Connection Washer, 1 23-50 Rim Connection Washer, 1 1-50 Riser Tube, 1 14-50 Shank, 1 18-50 Shank Washer, 1 19-50 Locknut, 1 30-50 Coupling Nut, 1 31-50 Coupling Nut Washer.

**Model No. 5122 (SP-22) Special Order**  
No. 50 Stop Assembly Repair Parts

1 40-50 Stop Spindle, 1 41-50 Packing Nut, 2 42-50 Packing Washers, 1 43-50 Upper Skirt, 1 43A-50 Lower Skirt, 1 44-50 Skirt Spacer.

**Model No. 5121 (SP-21) Cat. No. C3425**  
No. 50 Ballcock Body Parts

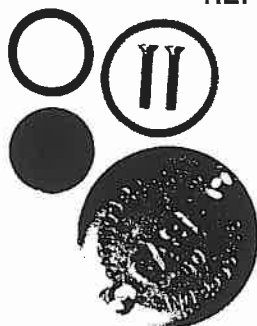
1 46-50 Plunger, 2 pieces, New Style, Complete; 1 48-50 Nylon Seat, 1 Cross Lever, Complete, Parts 16A, 16B, 16C, 16D-50; 1 27-50 Float Rod, 2 26-50 Thumb Screws.

934 S.E. Sixth Avenue • Portland, Oregon 97214 • (503) 235-2167 • (800) 929-5039 • Fax (503) 239-3774



**Model No. 5123 (SP-12) Cat. No. C3426**  
No. 50 Ballcock Regulator Repair Parts

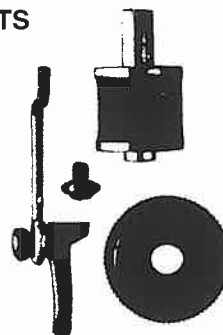
1 4-50 Regulator Body, 1 39-50 Union Nut, 1 38-50 Union Tailpiece, 1 37-50 Union Gasket, 1 Assembly Adjustable Regulator—12-50 Regulator, 12A-50 "O" Ring, 12B-50 Washer, 12C-50 Screw.



**Model No. 5124 (SP-24) Cat. No. C3427**  
No. 50 Ballcock Vent Assembly Repair Parts

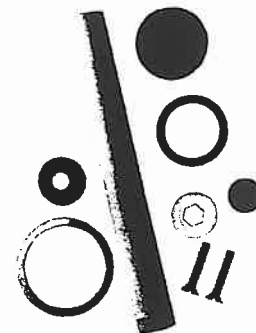
1 17-50 Vent Cap, 1 28-50 Vent Cap Washer, 2 34-50 Vent Cap Screws, 1 20-50 Vent Ball Seat Washer, 1 29-50 Vent Ball.

### REPLACEMENT PARTS FOR THE NO. 50 BALLCOCK



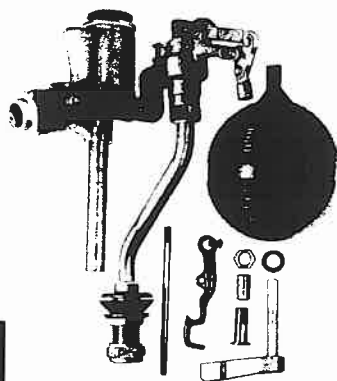
**Model No. 5125 (SP-25) Cat. No. C3428**  
No. 50 Ballcock Rim Valve Repair Parts

1 10-50 Rim Valve, 1 5-50 Rim Valve Cap, 1 Assembly Parts 7, 8-50, Connecting Wire and Rim Valve Lever; 1 9-50 Rim Valve Screw.



**Model No. 5126 (SP-26) Cat. No. C3429**  
No. 50 Ballcock Miscellaneous Repair Parts

1 24-50 Hush Tube, 1 20-50 Vent Ball Seat Washer, 1 29-50 Vent Ball, 1 28-50 Vent Cap Washer, 2 34-50 Vent Cap Screws, 1 48-50 Nylon Seat, 1 47-50 Seat Washer, 1 32-50 Cup Washer.

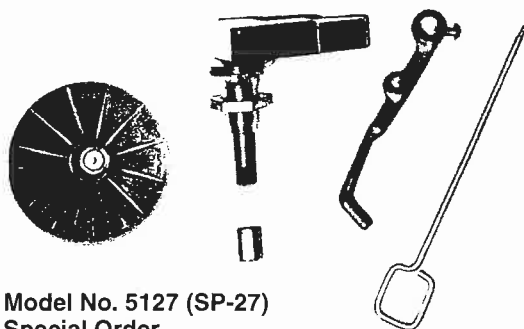


**Model No. 5160 #41 Cat. No. C3436**  
No. 41 Ballcock for Model A Closets

The ballcock operates the same as any compound lever ballcock, except that there is no refill tube. The refilling of the bowl is done through the diverter valve. The operation of this diverter valve is explained under the description of the lever.

The Vacuum Breaker on the ballcock is an open atmospheric vent. The hard rubber ball which seats on a neoprene washer in the vent is NOT a check valve, nor does its function have anything to do with the venting. Its ONLY purpose is to prevent water from spilling through the vent opening when pressure is on an open ballcock. This vent will relieve any vacuum condition on supply lines WITHOUT ANY BACK SIPHONAGE—no other closet is so adequately protected. WATER VOLUME CONTROL is located beside plunger. Closing the knurled head puts back pressure on plunger and reduces the rate of flow through the ballcock.

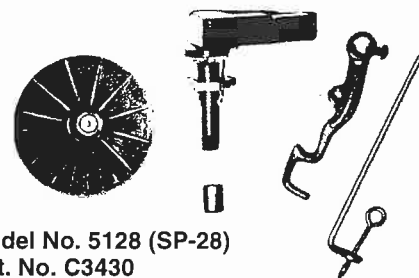
### MISCELLANEOUS PARTS FOR 3000, 1000, 1100 CLOSETS



**Model No. 5127 (SP-27) Special Order**  
No. 60 Handle Assembly

1 Assembly Parts 1 thru 6, 1 9-60 Lift Wire.

1 — Triple Seal Ball  
In installing and adjusting this lever the important items to check are (1) clearances, (2) freedom from binding or side thrust and (3) smooth operation.

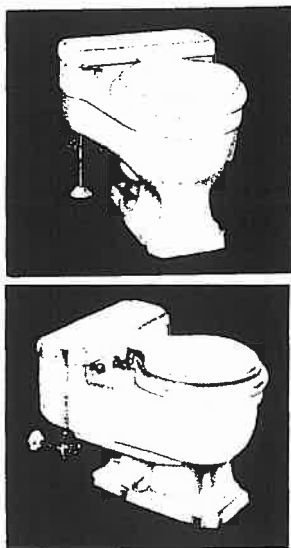


**Model No. 5128 (SP-28) Cat. No. C3430**  
No. 50 Handle Assembly (56)

1 1-60 Handle with 1A, 1 2-60 Bushing, 1 3-60 Nut, 1 4-60 Spacer, 1 9-50 Lift Swivel Wire, 1 3-50 Lift Arm, 1 4-50 Lift Arm Screw.

1 — Triple Seal Ball

In installing and adjusting this lever the important items to check are (1) clearances, (2) freedom from binding or side thrust and (3) smooth operation.



The #41 Ballcock (Blue Label) in Second and First Model A CASE BRAND Water Closets used on the models shown. Use these photos to identify your closet.

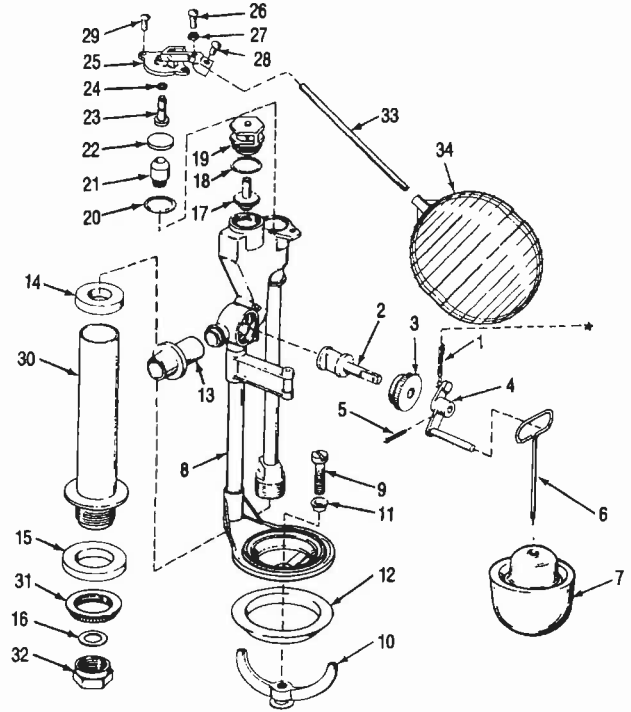
**KOHLER®**

**TANK FITTING**

Model Number 30668 (K-9242, K-9235)

Ordering Options	
Item	Part No. or Kit
1	C1663
5	C1663
6	C1853
7	C1839
8	See C1683
9, 10	See C1683
11 thru 16	30162
17, 18, 19	C1668
20 thru 24	C6602
25 thru 29	C1659
30, 31, 32	30163
33	51341
34	C4372

Complete replacement tank fitting  
#C1683 Items 2-34



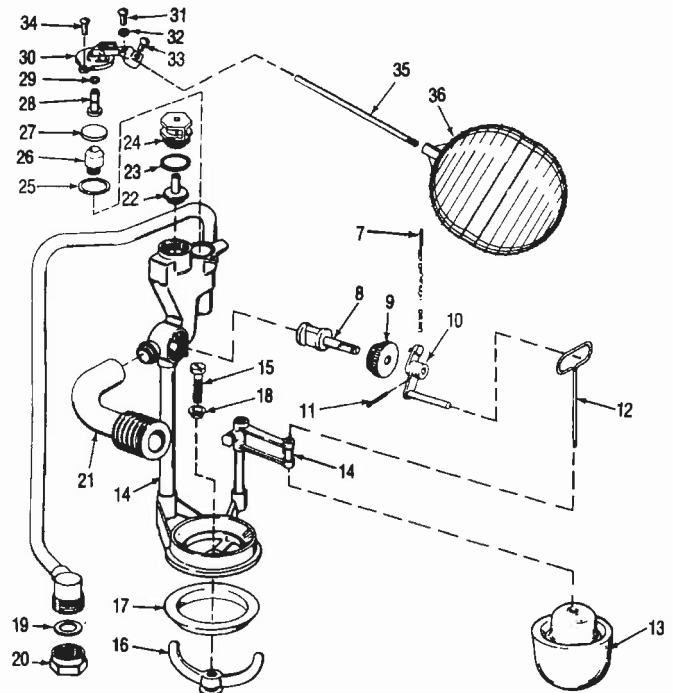
**KOHLER®**

**TANK FITTING**

Model Number 30669 (K-9241)

Ordering Options	
Item	Part No. or Kit
7 thru 11	C1663
12	C1836
13	C1839
14	See Below
15, 16	30164
17, 18	30170
19, 20, 21	30170
22, 23, 24	C1668
25 thru 29	C6602
30 thru 34	C1661
35	51341
36	C4372

Complete replacement tank fitting  
#C1684 Items 8-36



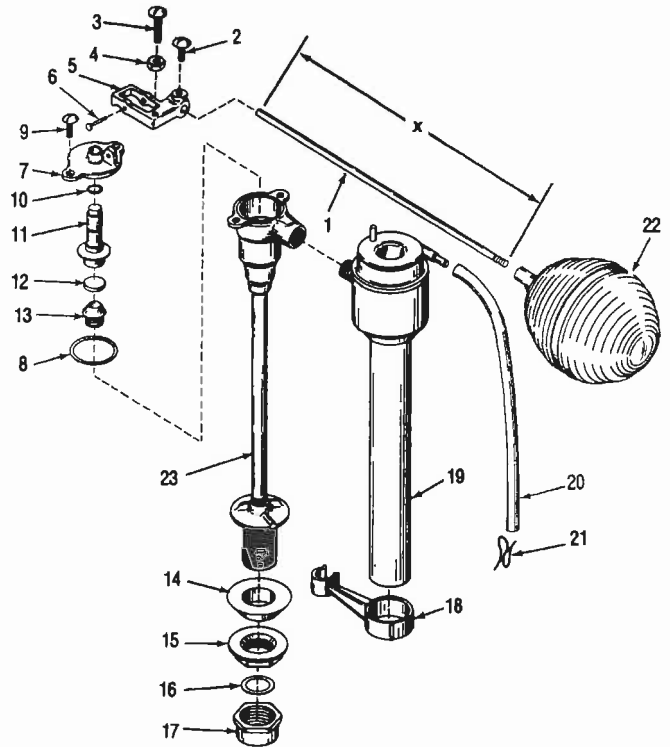
**KOHLER®**

**FLOAT VALVE**

Model Numbers 30671, 30672, 30652, 30683

Ordering Options	
Item	Part No. or Kit
1	C4435
2 thru 9	C1681
10 thru 13	C1658
14, 15, 16	30181
17	50832
18	N/A
19	C1826
20, 21	39236
22	C4372
23	N/A

Complete replacement Float Valve  
 #C1685



**KOHLER®**

**RETROFIT VALVE**

Model Number 43130

Ordering Options	
Item	Part No. or Kit
1-9	43119
1-2	C1821
7	30187
8	30186
11	C1825
12	83650
13, 14, 15	30188

