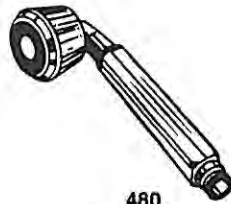


250 PB
C2549



C2555
410SPB



480
C2560



462
C2557



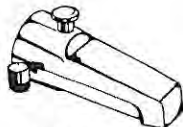
462 PB
C2556



465 C
C2558



1011
C2576



1010 L
C2575



425

C6851 Chrome
C6852 White



426

C6853 Chrome
C6854 White



460 K

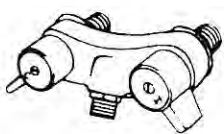
C6857



C2545



C2547



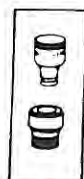
1050
C2577



4990 F
C2588



750
C2573



770
C2574



665 C
C2572



476
C2559



4900
C2583



4922
C2584



4923
C2586

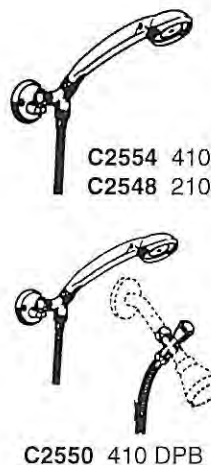
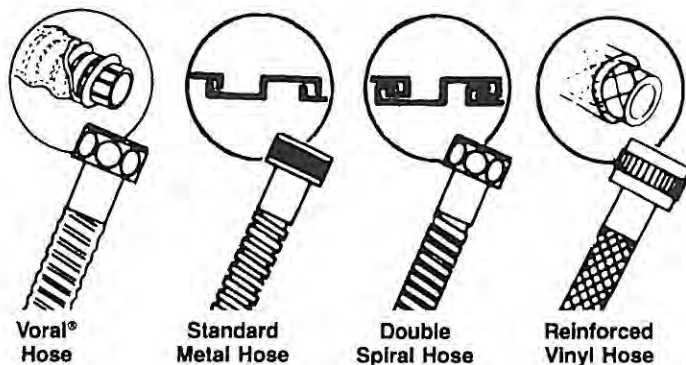
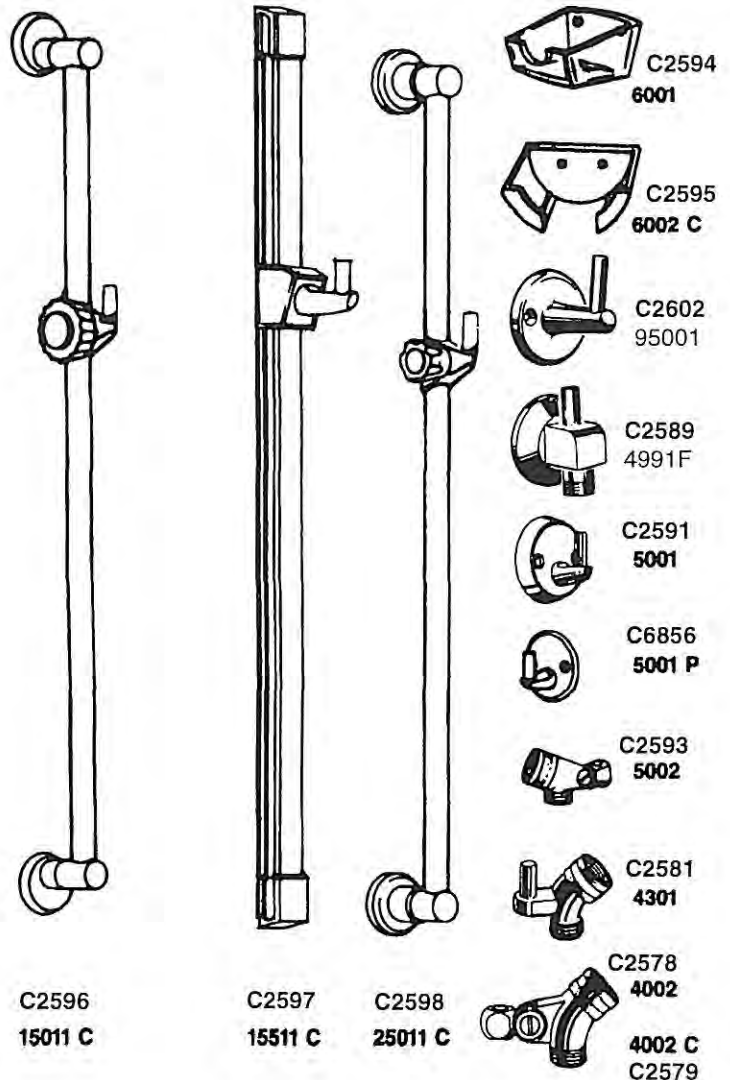
alsons.

- C2555 462 PB Push Button Hand Shower, Two Wall Brackets, 1072 L CP Brass Spout & 70-inch Voral® Hose
- C2549 462 PB Push Button Hand Shower & 40-inch White Voral® Hose with Snap-on Aerator Adaptor for Kitchen and Bathroom Faucets
- C2560 Lady Alsons Adj. Spray Hand Shower
- C2557 Hand Shower WHITE
- C2556 Hand Shower with Push Button Control WHITE
- C6857 Deluxe Sprinkling Can Spray Hand Shower
- C2558 Massage Action Pulsating Hand Shower
- C6851 Chrome European Hand Shower
- C6852 White European Massage Shower
- C6853 Chrome European Clog-Free
- C6854 White European Clog-Free Head
- C2545 White/Chrome Shower Arm Mount w/ European Massage Head
- C2572 Massage Action Shower Head, All Chrome Volume Control
- C2573 Quick Connect Set - Connects Hose to Interchangeable Accessories
- C2574 Quick Connect Set - Connects Hose to Faucet Aerator
- C2575 Chrome Plated Zamac Spout with Hose Connection
- C2576 Chrome Plated Zamac Spout for Wall Showers
- C2547 White/Chrome Shower Arm Mount w/Shower Arm For Holder
- C2545 Hand Shower w/Arm Pin Mount
- C2577 Two-Valve Mixer with Hose Connection
- C2584 Dual-Flo Diverter Valve, Lever Action
- C2586 Dual-Flo Diverter Valve, Push-Pull Action
- C2583 Vacuum Breaker, CP Brass
- C2588 Elbow with Flange, CP Brass

Other finishes available! Call for information.

alsons.

- C2596 Wall Bar 24-inch (1501 Series)
- C2597 Glide Rail 24-inch (1551 Series)
- C2598 Wall Bar 24-inch (1521 Series)
- C2578 Swivel Connector, White with CP Trim
- C2579 Swivel Connector, All Chrome
- C2581 Shower Arm Mount
- C2591 Wall Bracket, CP Brass Pin
- C6856 Wall Bracket, ABS (210 Series)
- C2593 Swivel Connector **ALL METAL**
- C2594 Wall Cup Holder (for 480 Hand Shower)
- C2595 Wall Cup Holder for Hand Showers
- C2561 60-inch Voral® Hose
- C2562 70-inch Voral® Hose
- C2563 84-inch Voral® Hose
- C2566 60-inch Chrome Hose
- C2567 69-inch Chrome Hose
- C2568 60-inch Double Spiral Chrome Hose
- C2569 69-inch Double Spiral Chrome Hose
- C6858 79-inch Double Spiral Chrome Hose
- C2571 69-inch Stainless Steel Hose
- C2570 69-inch RV (Reinforced Vinyl) Hose
- C2582 Screws (Brass) #10, 1 1/2-inch, ea.
- C2602 All Brass C.P. Wall Pin
- C2587 Gaskets (All 1/2-inch Connections), Set of 5
- C2599 Bar Knob for 25011 C
- C2603 Bar Slide & Knob for 15011 18 mm
- C2604 Bar Slide & Knob for 15011 3/4"
- C2605 Bar Slide for C2597
- C2600 Screen & Diaphragm Set for 4900 & 4910
- C2580 Bar Knob for 15011C

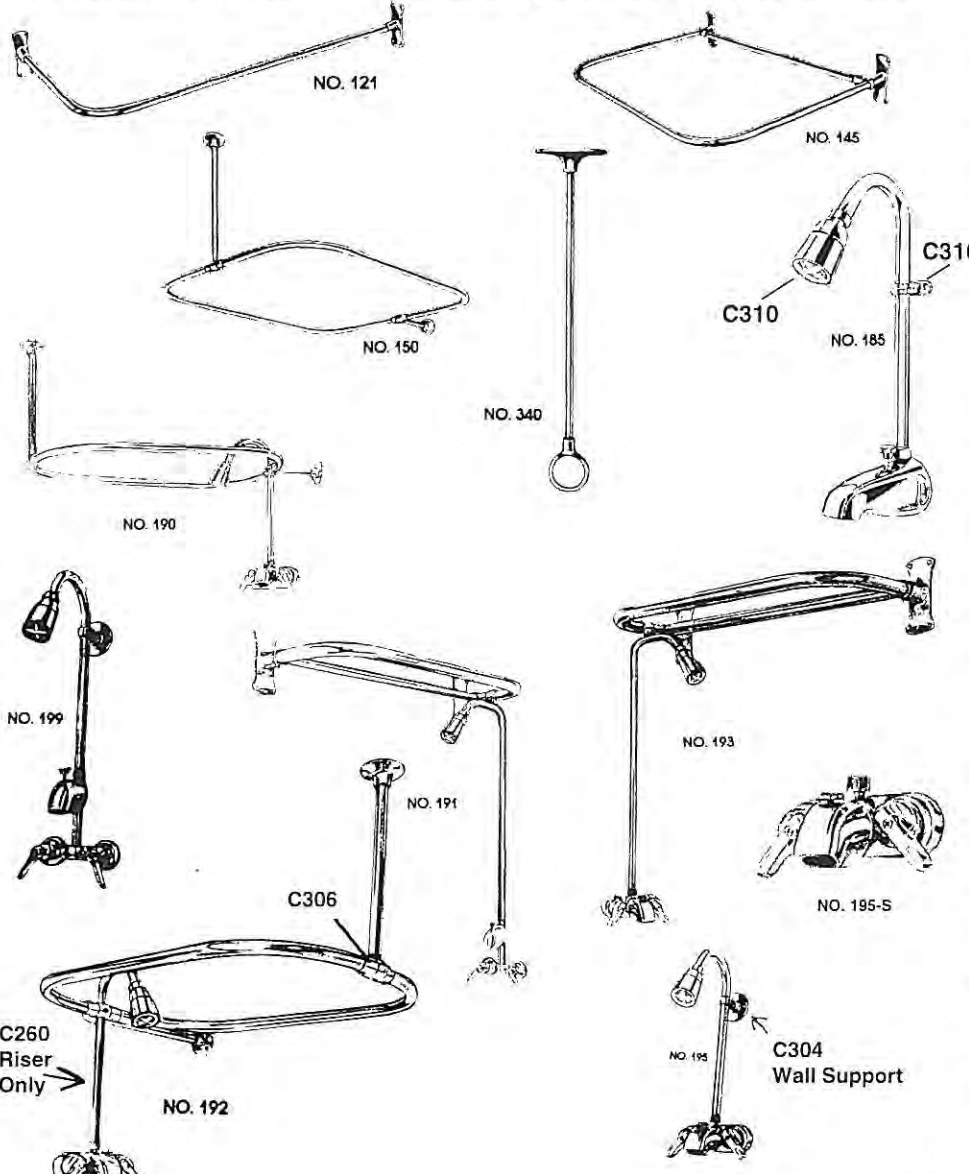


- C2548 **WALL PIN UNIT**
 - 60-inch voral hose
 - 462 hand shower
 - ABS wall pin

- C2554 **DELUXE WALL UNIT**
 - 60-inch chrome hose
 - CP brass wall pin
 - 462PB push button hand shower

- C2550 **ADD-A-SHOWER**
 - 70-inch voral hose
 - 462 Hand shower
 - 4923 diverter assy.

934 S.E. Sixth Avenue • Portland, Oregon 97214 • (503) 235-2167 • (800) 929-5039 • Fax (503) 239-3774



CONVERTO SHOWERS

C311 - 60" C312 - 66"
 NO. 121 CORNER ROD Made of 1" brass tubing, 26" x 60", 26" x 66".

C313
 NO. 145 "D" ROD Made of 1" brass tubing. Consists of one No. 140 "U" Rod, 26" x 54", C313 and one No. 100 straight rod, and two D-rod loops.

For extra support, order No. 340 ceiling support.
 NO. 150 RECTANGULAR ROD Made of 3/4" O.D. brass tubing— C314 or 24" x 54". Furnished with 5/8" O.D. x 30" tube adjustable ceiling support with set screw flange and 5/8" O.D. x 10" tube adjustable wall support with set screw flange. Longer supports may be ordered at additional cost.

C307 & C308
 NO. 340 WALL OR CEILING SUPPORT Complete with 1" eyeloop, chrome plated adjustable brass rod and flange. Standard lengths are: 28", - C307, 48" - C308

C295
 No. 185 Converto Shower
 Over-rim diverter spout with 50" Gooseneck riser, shower head and wall support. Spout lapped 3/4" I.P.S. 3/4" X 1/2" face bushing is included. 185-S Spout Only - C296

C298
 No. 190 Converto Shower
 Diverter bathcock. Supplies on 3-3/8" centers. 62" Gooseneck riser, shower head, adjustable 10" wall and 30" ceiling supports on 24" x 54" rectangular curtain frame. Rod 3/4" O.D. brass tubing. Longer wall and ceiling supports also available.

C301
 No. 193 Converto Shower
 Diverter bathcock. Supplies on 3-3/8" centers with 62" Gooseneck riser and No. 336 double eyeloop and No. 145-26" x 48" "D" rod. Can be furnished with 26" x 54" or 26" x 60" "D" rod. Rods made of 1" O.D. brass tubing.

C297
 No. 191 Converto Shower
 Diverter bathcock—code pattern. Elevation 4" from center of supplies to bottom of spout. 56" Gooseneck riser. Supplies on 3-3/8" centers. Shower head, No. 336 double eyeloop. Made of 1" O.D. brass tubing. No. 145-54" Rod. Code Bathcock Only C299

C303
 No. 195-S Diverter bathcock. Supplies on 3-3/8" centers.

C300
 No. 192 Convert to Shower
 Diverter bathcock. Supplies on 3-3/8" centers. 62" Gooseneck riser, shower head, adjustable 18" side wall support and 30" ceiling support on 24" x 54" rectangular curtain frame. Made of 3/4" O.D. brass tubing. Side wall support reversible for use either left or right.

C302
 No. 195 Conver to Shower
 Diverter bathcock. Supplies on 3-3/8" centers. 62" Gooseneck riser, shower head and 6" adjustable wall support.

C305
 No. 199 Conver to Shower
 Diverter bathcock - code pattern. Elevation 4" from center of supplies to bottom of spout. Supplies on 3-3/8" centers. 56" Gooseneck riser, shower head and 6" adjustable wall support.

SHOWER RODS W/FLANGES

Brass-Light Pattern

- C269 1 X 5 ft. w/ Flange CP
- C315 1 X 6 ft. w/ Flange CP

Polished Aluminum

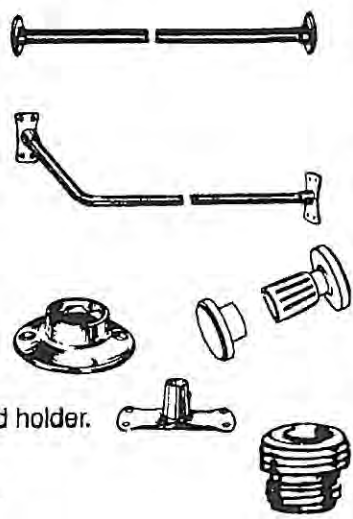
- C4412 1 X 5 ft. w/633 Flange CP

Brass-Corner Rods

- C5294 1 X 5 ft. 2 pc. w/Jumbo Flange CP

SHOWER ROD FLANGES

- C4512 CP Steel CP
- C5297 Jumbo Oblong Flange CP
- C4529 1" O.D. chrome plated die cast adj. rod holder. CP
- C4300 Adapter 1/2" x 3/8", C.P. Brass. CP
 Adapters 195-S to Accept Shower Hose.



934 S.E. Sixth Avenue • Portland, Oregon 97214 • (503) 235-2167 • (800) 929-5039 • Fax (503) 239-3774

LAVATORY LEGS

Adjustable to fit a variety of china and enamel lavatories.

C4651

Chrome plated
2" adjustment
30" long

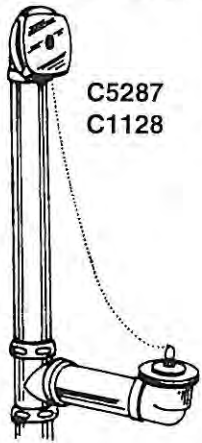


SPLASH ENDER

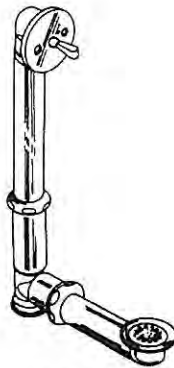
Splash Guards
w/caulk, White
C290



BATH WASTE AND OVERFLOWS



C5287 1-3/8" 22 GA ALL CP
C1128 1-1/2" 20GA



C1124 1-1/2" 20 GA Brass
C5290 1-1/2" 17 GA Brass

WASTE AND OVERFLOW WASHERS

BEVELED RUBBER

C2141 1-7/8" x 3" BEVELED from 9/32" to 1/8"

C2144 2-1/8" x 3-3/16" BEVELED from 3/16" to 9/16",
Sponge to fit metal overflows.



FLAT

C2145 2-5/8" x 1-3/4" x 3/32" rubber.

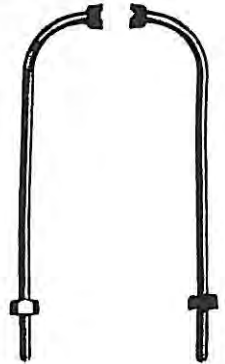
C2146 2-7/8" x 1-7/8" x 3/8" sponge rubber.



LEG TUB

BATH SUPPLIES

CHROME PLATED COPPER



C4610 1/2" Complete pair of
supply pipes, nuts,
cone washers and
friction rings.



TRIP LEVER FACE PLAT

C4493 Trip lever face plate. Stainless steel retainer clip. E-Z
operating square handle. 3 1/4" O.D. screw holes, 2" center
to center.



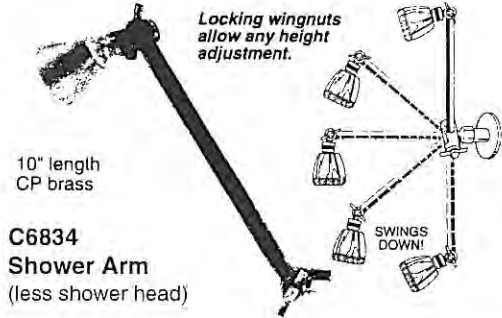
BATHCOCK COUPLING

C4365 1/2" NPT, Satin Finish, Brass
Sold By The Pair

934 S.E. Sixth Avenue • Portland, Oregon 97214 • (503) 235-2167 • (800) 929-5039 • Fax (503) 239-3774

SHOWER HEADS

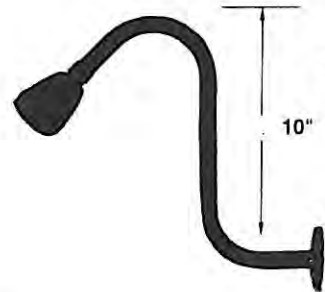
C972
BC 2574B Shower Head
Massage Action; Water Saver



C6834
Shower Arm
(less shower head)

SHOWER ARMS

- C4535 1/2" IPS x 6" shower arm. New metal brass C.P. chamfered machine thread 13/16" O.D.
- C4536 1/2" IPS x 8" shower arm. New metal brass C.P. chamfered machine thread 13/16" O.D.
- C4534 1/2" IPS x 10" shower arm. New metal brass C.P. chamfered machine thread 13/16" O.D.



HI-RISE SHOWER ARM
CP 1/2" BRASS

C4649

3 oz SQUEEZE TUBE



C6112 White
C6111 Clear



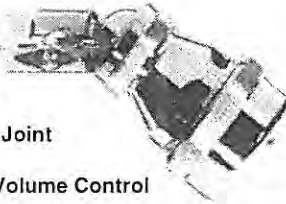
C6832 White
C6831 Clear
C6833 Bone

HARVEY'S TUB SEAL
Latex Caulk 5.5 oz.

**SLOAN AC-11
ACT-O-MATIC SHOWER
HEAD**

C3966
Chrome Plated Brass

- Vandal Proof
- Self-Cleaning
- Universal Ball Joint
- Thumbscrew Volume Control



**ECONOMY
SHOWER HEADS**

2.5 GPM, ALL BRASS C.P.



C291



C292

C4574
Solid Brass, Adjustable Spray, Lever
Handle, 2.5 GPM @ 80 PSI

C4569
Same w/Canopy Handle
2.5 GPM @ 80 PSI

C4573
Same w/Positive Off, Large
2.5 GPM @ 80 PSI

C4575
Shower Cut-off Valve (Water Saver)



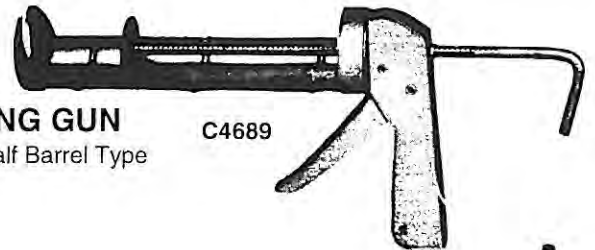
C4574

C4569
C4573

C4575

CAULKING GUN
"Drop-In" Half Barrel Type

C4689



3 oz SQUEEZE TUBE



POLY SEAM SEAL

Tub and Tile Caulk
6 oz. Squeeze Tube or
10 oz. Caulking Gun Type

- C262 6 oz. Bone
- C263 6 oz. Clear
- C267 10 oz. Clear
- C261 6 oz. White
- C266 10 oz. White



C4572 White
C4571 Clear

**CHATHAM
SILICONE CAULK**
10 oz. Caulk Tubes

TUB / DIVERter SPOUTS



**C4593
TUB FILLER**
1/2" I.P. C.P.

**C4648
DIVERter SPOUT**
3/4" F.I.P.
All Brass C.P.

**C4594
DIVERter SPOUT**
1/2" or 3/4" F.I.P.
Zinc D.C. C.P.



**C4833
DIVERter SPOUT**
1/2" Slip-Fit

**C4647
DIVERter SPOUT**
1/2" Slip-Fit
(thread at nose end)



**C4835
DIVERter SPOUT**
1/2" Slip-Fit
Front pull knob spring loaded

FACE BUSHINGS

C4358 Face Bushing, 1/2" x 3/8", Brass

C4359 Face Bushing, 3/4" x 1/2", Brass



**C4596
TWIN SHOWER
ELL** 1/2" I.P.

**C4330
DIVERter SPOUT w/RISER FITTING**
C.P. Brass 3/4" I.P.S. and
1/2" x 3/4" adapter

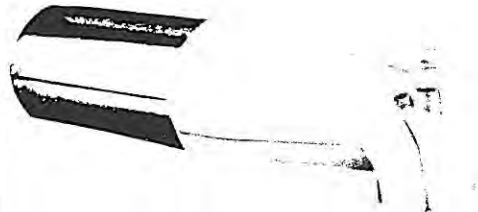


**C4836
DIVERter SPOUT w/1/2" SLIP-FIT**
w/1/2" I.P.S. hose outlet



**C6820
DIVERter SPOUT**
1/2" or 3/4" I.P.S. w/1/2" I.P.S.
hose outlet

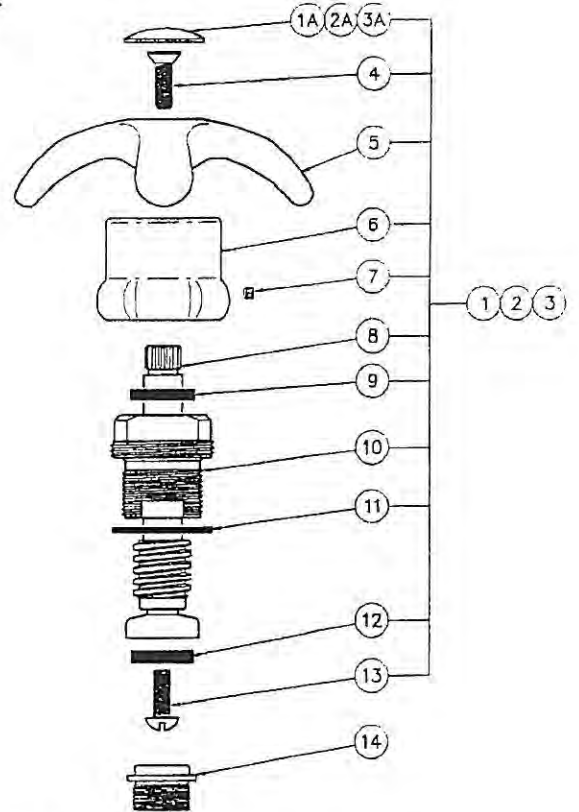
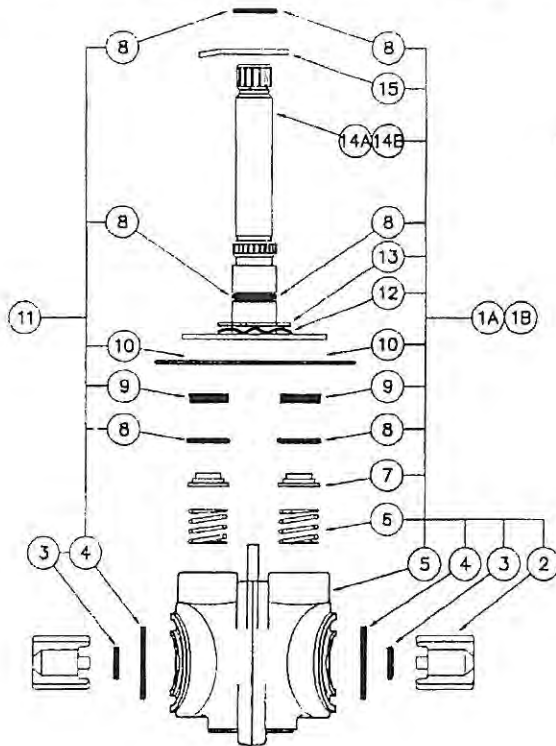
**C4837
TUB FILLER**
1/2" Slip-Fit



**C6805
TUB SPOUT EXTENSION**
Brass C.P. 3" long
Fits **C4594** (above)
C4593

**SAFTI-TROL SHOWER VALVE
CARTRIDGE/STEM & PLATE ASSEMBLY**

C117	1A	2437-100-001	CARTRIDGE/STEM & PLATE ASSY-STANDARD	9	0438-001-000	GASKET	
	1B	2437-110-001	CARTRIDGE/STEM & PLATE ASSY-EXTENDED	10	0431-021-000	BONNET GASKET Pk of 10	C104
	2	2437-003-000	PROPORTIONING VALVE CAP	11	2438-000-001	"O"-RING & GASKET REPAIR KIT	C118
	3	0401-009-000	"O"-RING	12	0333-008-000	THRUST WASHER	
	4	0401-116-000	"O"-RING	13	0334-008-000	FIBER WASHER	
	5	2437-001-001	CARTRIDGE SHELL	14A	2409-000-001	STEM & PLATE ASSY-STANDARD	C115
	6	2438-002-199	OUTLET SPRING	14B	2409-001-001	STEM & PLATE ASSY-EXTENDED	C116
C101	7	2438-001-199	SHUT OFF DISC RETAINER	15	2413-000-199	TEMPERATURE LIMITING STOP	
	8	0401-012-000	"O"-RING - STOP RETAINER Pk of 10				



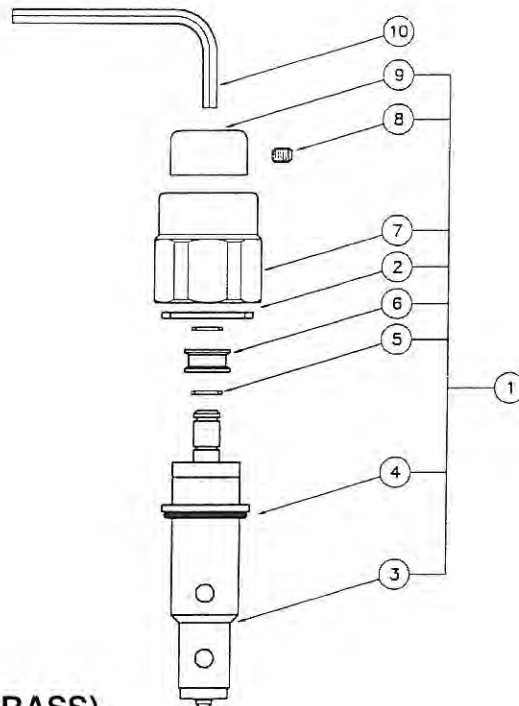
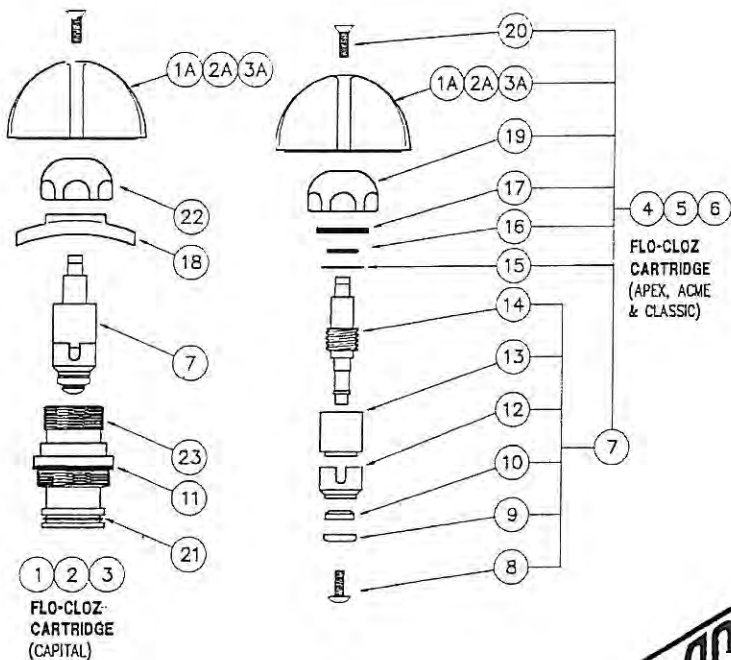
**EXPOSED LOGAN VALVE
STEM & HANDLE ASSEMBLY 17, 18 & 24**

C100	1	2656-000-020	VALVE ASSEMBLY - NEUTRAL	7	0181-012-000	#6-32 X 7/64" CUP POINT SET SCREW	
	1A	2660-000-000	NEUTRAL WELCH PLUG	8	2656-000-002	STEM ASSEMBLY	
	2	2656-000-021	VALVE ASSEMBLY - HOT	9	0474-001-000	STEM PACKING	
	2A	2660-001-000	HOT WELCH PLUG	10	2653-000-199	STEM SLEEVE	
	3	2656-000-022	VALVE ASSEMBLY - COLD	11	0411-115-000	SLEEVE WASHER	
	3A	2660-002-000	COLD WELCH PLUG	12	0431-030-000	SEAT WASHER	
	4	0152-002-000	#10-32 X 1/2" HEX SOC FLH SCREW Pk of 10	13	0106-003-000	#10-32 X 1/2" RDH MACHINE SCREW	
	5	2659-000-199	HANDLE	14	2650-000-199	VALVE SEAT	C6840
	6	2652-000-199	BONNET NUT				

934 S.E. Sixth Avenue • Portland, Oregon 97214 • (503) 235-2167 • (800) 929-5039 • Fax (503) 239-3774

CONCEALED FLO-CLOZ CARTRIDGES FOR APEX, ACME, CLASSIC, & CAPITAL

1	2260-103-001	FLO-CLOZ CART. ASSY-SNGL TEMP-CAPITAL	11	0411-019-000	GASKET
1A	2292-003-199	CANOPY HANDLE-SINGLE TEMP	12	2260-020-000	SEAT
2	2260-102-001	FLO-CLOZ CART. ASSY-COLD TEMP-CAPITAL	13	2260-010-199	SLEEVE
2A	2292-002-199	CANOPY HANDLE-COLD TEMP	14	2260-001-199	STEM
3	2260-101-001	FLO-CLOZ CART. ASSY-HOT TEMP-CAPITAL	15	2260-006-000	"O"-RING RETAINER
3A	2292-001-199	CANOPY HANDLE-HOT TEMP	16	0401-111-000	"O"-RING Pk of 10 C103
4	2260-000-003	FLO-CLOZ CARTRIDGE ASSY-SINGLE TEMP	17	0431-023-000	BONNET GASKET Pk of 10 C105
5	2260-000-002	FLO-CLOZ CARTRIDGE ASSY-COLD TEMP	18	2713-000-199	ESCUTCHEON-CAPITAL ONLY
6	2260-000-001	FLO-CLOZ CARTRIDGE ASSY-HOT TEMP	19	2280-000-199	BONNET
C108 7	2260-001-011	STEM ASSEMBLY	20	0152-002-000	#10-32 x 1/2" LG. FLATHEAD SCREW Pk of 10 C100
8	0116-010-000	#10-32 x 1/2" PHILLIPS RD HD SCREW	21	0421-020-000	GASKET
9	2260-009-199	DISC RETAINER	22	2280-000-299	BONNET-CHROME
10	0439-000-000	DISC	23	3783-001-199	VALVE ADAPTER



METER-MATIC CARTRIDGE (BRASS)

NOTES:

A-THIS BRASS CARTRIDGE HAS A NON-REPLACEABLE DISC CLOSURE AND IS NO LONGER AVAILABLE. USE PART NO.

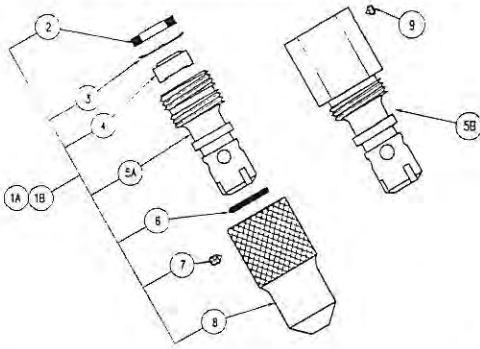
B-WHEN REPLACING THIS CARTRIDGE THE PUSHBUTTON & BONNET MUST ALSO BE REPLACED.

C110 2302-000-003.

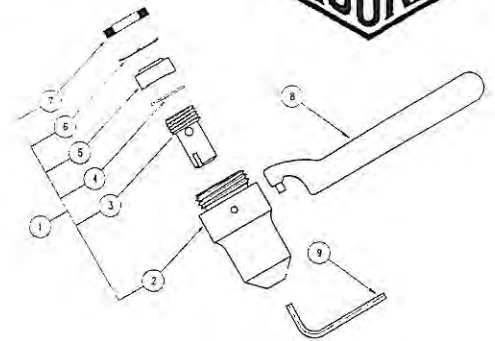
1	2309-020-002	CARTRIDGE ASSY-COMLETE	6	2309-007-199	PUSHBUTTON GUIDE
2	0421-118-000	GASKET	7	2309-006-199	BONNET
3	2309-020-001	CARTRIDGE	8	0181-004-000	#10-32 x 1/4" FLATHEAD SET SCREW
C105 4	0431-023-000	"O"-RING Pk of 10	9	2309-008-199	PUSHBUTTON
5	0327-008-000	C-CLIP	10	0298-004-000	1/8" ALLEN WRENCH

SHOWER NOZZLE ASSEMBLY RIGID HEAD

C107	1A	1192-010-001	SHOWER HEAD ASSEMBLY - MALE	5B	1190-000-199	CAP RECEIVER - FEMALE
C106	1B	1190-010-001	SHOWER HEAD ASSEMBLY - FEMALE	6	0401-112-000	"O"-RING
	2	0421-019-000	GASKET	7	0181-011-000	#6-32 x 3/16" LG. SET SCREW
	3	0326-011-000	RETAINING WASHER	8	1185-000-199	SHOWER CAP
	4	0472-002-000	2.5 GPM FLO-CONTROL	9	0181-012-000	#6-32 x 1/8" LG. SET SCREW
	5A	1192-000-199	CAP RECEIVER - MALE			



NOTE:
REPLACE ITEM 5A WITH ITEMS
5B & 7 FOR ASSEMBLY 1B
USE ASSEMBLY 1A FOR ACORN SHOWER HEAD BRACKETS
USE ASSEMBLY 1B FOR BENT ARM APPLICATIONS



PENAL SHOWER HEAD (-P)

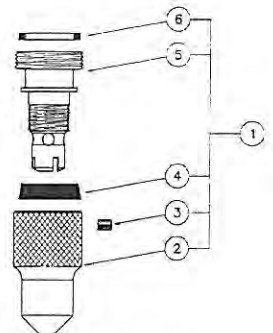
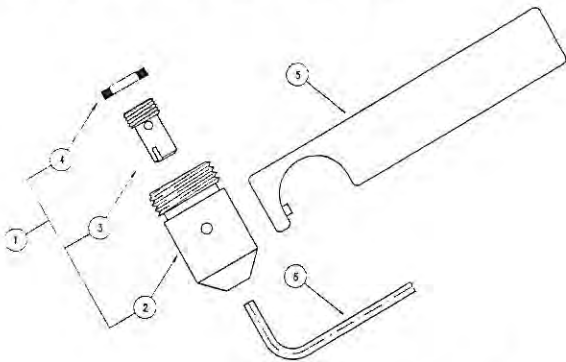
1-ADJUST SPRAY PATTERN BY ROTATING THE ADJUSTABLE
INSERT, ITEM #3, WITH A 1/8" ALLEN WRENCH,
(ACCESS THRU THE SHOWER NOZZLE ORIFICE.)

1	1187-000-001	SHOWER HEAD ASSEMBLY	6	0326-011-000	FLO-CONTROL RETAINER
2	1187-000-199	CAP - INTERNALLY ADJUSTABLE	7	0421-019-000	GASKET
3	1188-000-199	ADJUSTABLE INSERT	8	0354-001-199	PENAL SHOWER HEAD WRENCH
4	0331-022-000	STAINLESS STEEL WASHER	9	0298-004-000	1/8" ALLEN WRENCH
5	0472-002-000	2.5 GPM FLO-CONTROL			

PENAL SHOWER HEAD ASSEMBLY

1-ADJUST SPRAY PATTERN BY ROTATING THE ADJUSTABLE
INSERT, ITEM #3, WITH A 1/8" ALLEN WRENCH,
(ACCESS THRU THE SHOWER NOZZLE ORIFICE).

1	1241-001-001	SHOWER HEAD ASSEMBLY	4	0421-019-000	GASKET
2	1241-001-199	CAP - INTERNALLY ADJUSTABLE	5	0356-000-001	PENAL SHOWER HEAD WRENCH
3	1188-000-199	ADJUSTABLE INSERT	6	0298-004-000	1/8" ALLEN WRENCH



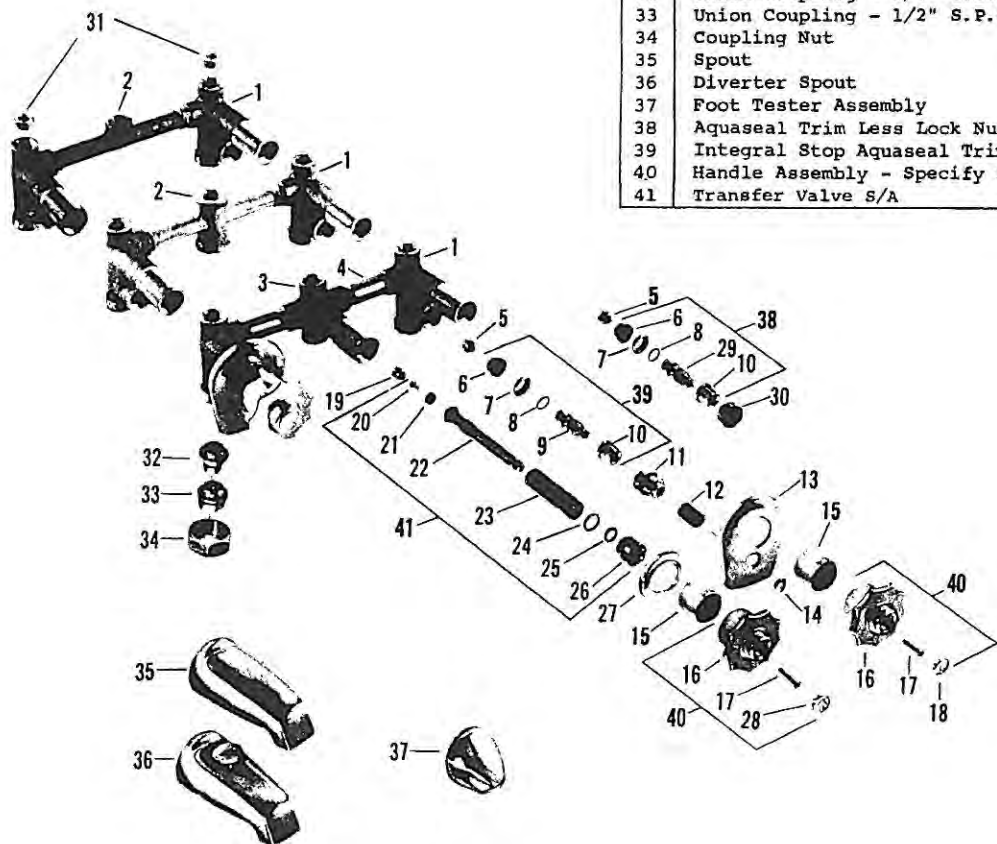
LOGAN ADJUSTABLE SHOWER HEAD

1	1230-000-001	SHOWER HEAD-COMplete ASSY	4	0408-003-000	LOMACO CAP GASKET
2	1230-000-199	LOGAN ADJUSTING CAP	5	1195-000-199	LOGAN CAP RECEIVER
3	0181-011-000	#6-32 x 3/16" CUP POINT SCREW	6	0413-001-000	GASKET

934 S.E. Sixth Avenue • Portland, Oregon 97214 • (503) 235-2167 • (800) 929-5039 • Fax (503) 239-3774

HERITAGE TRIM-AQUASEAL (INTEGRAL STOP)

Model Numbers 1300.219 (N 1050),
1300.243 (N 1052), 1310.127 (N 1070),
1310.051 (N 1072), 1200.146 (N 1150),
1200.153 (N 1152), N 1155, N 1157,
1104.017 (N 1510), 1104.041 (N 1512)



no.	description	part no.
1	Valve Body w/seat - R.H.	8196-07*
	Valve Body w/seat - L.H.	8197-07*
2	Tee	25583-07*
	Cross	9820-07
3	Transfer Body w/seat	8185-07*
4	Nipple	25707-07
5	Seat	862-14
6	Aquaseal Diaphragm (2)	72940-07
7	Stop Ring	72959-07
8	Friction Ring	246-37
9	Stem w/swivel & Friction Ring (Integral Stop)	72966-07*
10	Stem Nut	72956-07
11	Lock Nut	675-37
12	Plastic Tube	1857-07
13	Escutcheon	1230-22
14	Button - Plain	55906-024
15	Escutcheon Holder	890-22
16	Handle	5359-02*
17	Handle Screw	1613-07
18	Button - Specify Index	1234-22
19	Transfer Valve Seat	1848-07
20	Seat Washer Screw	759-27
21	Seat Washer	858-17
22	Transfer Stem w/washer and screw	25301-07
23	Sleeve	892-17
24	"O" Ring for Sleeve	886-17
25	"O" Ring	888-17
26	Lock Nut	877-17
27	Escutcheon	680-32
28	Button - Specify Arrow	1234-2221
29	Stem w/swivel and Friction Ring	72952-07*
30	Lock Nut	855-17
31	Plug	27816-07
32	Union Coupling - 5/8" O.D. Copper Tube	244-17
33	Union Coupling - 1/2" S.P.S. Pipe	1836-07
34	Coupling Nut	25513-07
35	Spout	455-32*
36	Diverter Spout	380-12*
37	Foot Tester Assembly	6192-02*
38	Aquaseal Trim Less Lock Nut	72950-17
39	Integral Stop Aquaseal Trim less Lock Nut	72948-07
40	Handle Assembly - Specify Index	6459-02
41	Transfer Valve S/A	6052-07

C3615 (Cold)

C3585

C3925

C3522

C3591

C3616

(Hot)

C3515

C3588

C3564

C3584

C3584

C3926

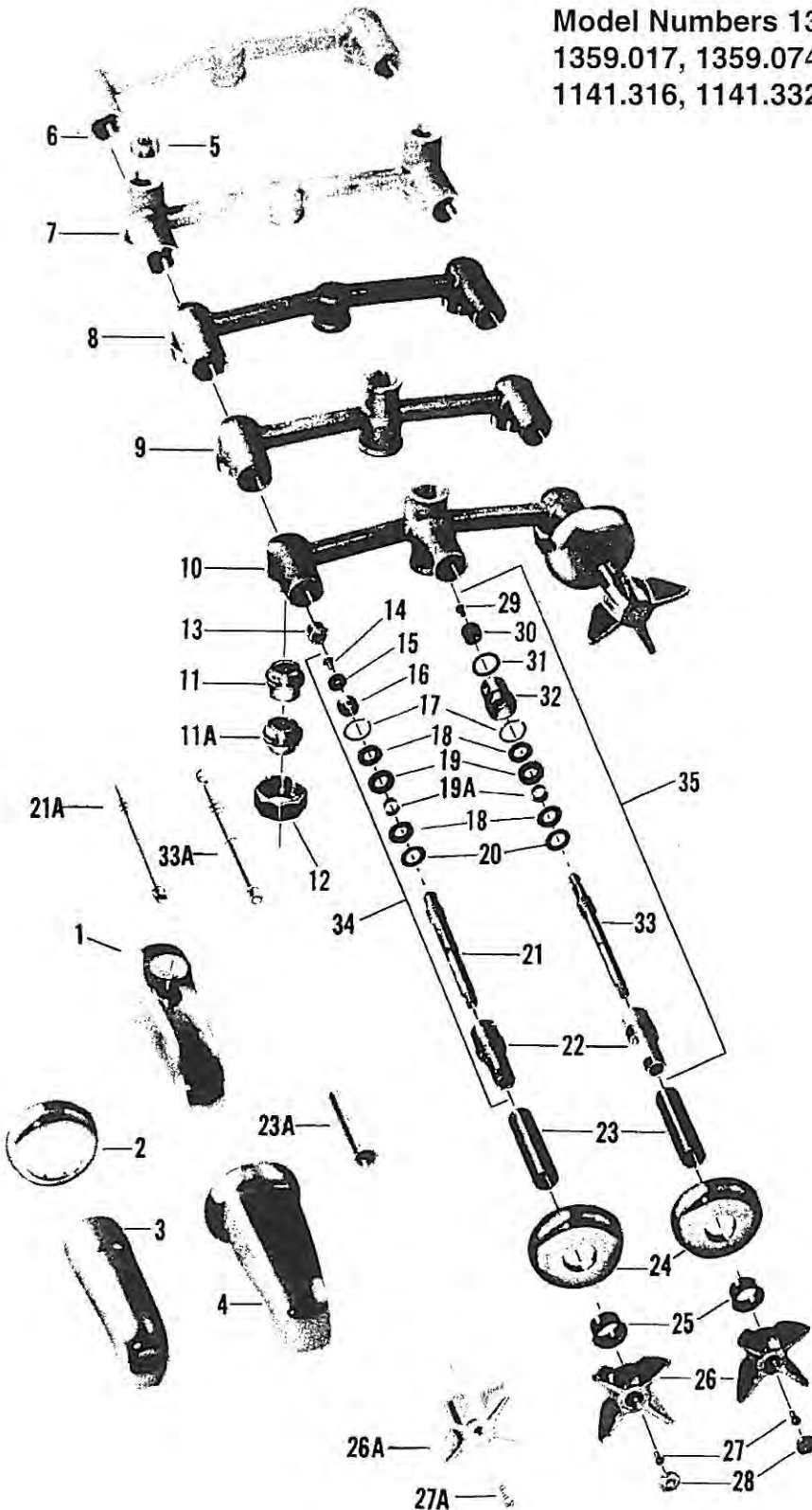
C3667

(Hot)

• NOT AVAILABLE

COLONY TRIM

Model Numbers 1356.294, 1356.104, 1356.013, 1356.062, 1359.017, 1359.074, 1261.015, 1261.080, 1359.041, 1359.090, 1141.316, 1141.332, 1141.342, 1141.076, 1141.373, 1141.175

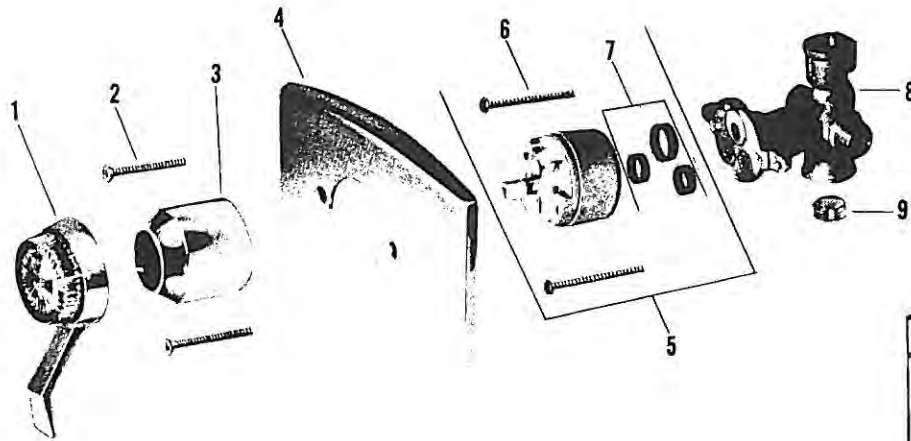


no.	Description	part no.
1	Diverter Spout	72875-02
2	Spout Escutcheon	72803-02
3	Spout - Brass	72874-02
4	Spout - Zinc	72325-02
5	Plug for By-pass Body	27816-07
	Plug for By-pass Body	72892-07*
6	Body w/seats	
	Tub - Angle	72850-07*
	Tub - Angle	72899-07*
7	Tub - By-pass	72849-07*
	Tub - By-pass	72900-07*
8	Shower - Angle	72848-07*
	Shower - Angle	72901-07*
9	Body w/seats & Insert	
	Diverter - Angle	72878-07*
	Diverter - Angle	72905-07*
	Diverter - By-pass	72886-07*
	Diverter - By-pass	72929-07*
10	Body w/seats	
	Transfer - Angle	72846-07*
	Transfer - Angle	72908-07*
11	Union Coupling -	
	1/2" S.P.S. Pipe	1836-07
11A	5/8" O.D. Copper Water Tube	244-17
12	Coupling Nut	72827-07
13	Seat	57281-07
14	Seat Washer Screw	759-27
15	Seat Washer	858-17
16	Seat Washer Retainer	72801-07
17	Wave Washer	72852-07
18	Packing Washer	64704-07
19	Packing	64705-07
19A	Seal	64706-07
20	Stem Nut Gasket	72824-07
21	Valve Stem	72823-07
21A	Valve Stem	50666-07
22	Stem Nut	72825-07
23	Stem Sleeve	72826-02
23A	Stem Sleeve	50667-02
24	Escutcheon	72357-06
25	Escutcheon Ring S/A	72912-09*
26	Handle	72802-02
26A	Handle - Hot	72353-023
	Handle - Cold	72358-021
	Handle - Arrow	72353-022
27	Handle Screw	56537-07
27A	Handle Screw	56581-01
28	Button - Specify Index	55906-02
29	Screw for Transfer Stem Disc	56537-07
30	Transfer Valve Stem Seat Disc	72840-07
31	"O" Ring	59225-07
32	Transfer Valve Bushing	72816-07
33	Transfer Valve Stem	72815-07
33A	Transfer Valve Stem	50718-07
34	Stem S/A - Hot or Cold	72855-07
	Stem S/A - Hot or Cold	50729-07
35	Transfer Valve Stem S/A	72856-07
	Transfer Valve Stem S/A	50772-07

* NOT AVAILABLE

C3881
C3882
C3883
C3849
C3862
C3924





PUSH-PULL

Model Numbers N 1030-1,
1330.117 (N 1032-1)

AQUARIAN

Model Numbers 1390.038, 1390.046
1390.087, 1390.137, 1390.145

no.	description	part no.	
1	Handle S/A	77033-02	C3946
2	Escutcheon Screw	69347-01	C3900
3	Escutcheon Cap	57626-02	
4	Escutcheon	69367-06	
5	Cartridge S/A (8 gallon)	69382-07	C3901
6	Cartridge Screw	57633-07*	
7	Cartridge Seals (Set)	57584-07	
8	Manifold	69398-07*	
9	Plug (3/4" NPTF)	1461-07*	
10	Stop S/A (not shown)	61431-07	

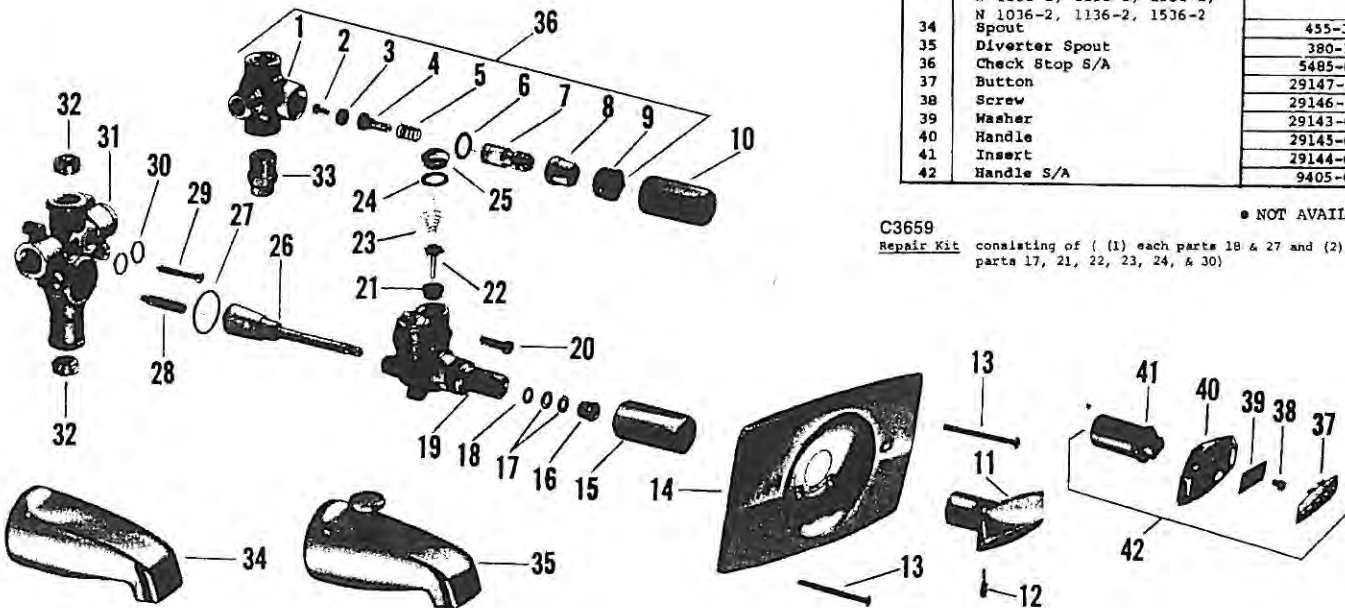
• NOT AVAILABLE

no.	description	part no.	
1	Check Stop Body	25530-07*	
2	Seat Washer Screw	759-27	C3575
3	Seat Washer	1059-27	
4	Lower Stem w/Washer & Screw	25302-07	
5	Spring	819-27	
6	"O" Ring	886-17	C3589
7	Upper Stem	25318-07	
8	Stem Nut	854-17	C3583
9	Lock Nut	855-17	C3584
10	Guard Tube	1855-07	
11	Handle	29133-02	C3744
12	Handle Screw	29223-07	
13	Escutcheon Screw	29120-01	C3743
14	Escutcheon w/Gasket	29139-06	
15	Escutcheon Sleeve	29117-02	
16	Adjusting Nut	29105-07	C3742
17	Packing	29104-07	C3741
18	Adapter	29103-07	C3740
19	Body	29102-07	
20	Body Screw	29118-07	
21	Seat	12002-07	C3698
22	Stem	12270-04	C3919
23	Conical Spring	72510-07	C3700
24	Gasket	12007-07	
25	Valve Plug	29109-07	C3688
26	Cam & Shaft S/A	9422-07	
27	"O" Ring	29116-07	
28	Guide Post	29101-04	C3739
29	Wall Screw	1370-17	
30	"O" Ring	29115-07	
31	Manifold	29100-07	
32	Plug	27816-07	
33	Copper Tube Adapter for N 1032-1, 1132-1, 1532-1, N 1036-1, 1136-1, 1536-1, N 1032-2, 1132-2, 1532-2, N 1036-2, 1136-2, 1536-2	1491-27*	
34	Spout	455-32*	
35	Diverter Spout	380-12*	
36	Check Stop S/A	5485-07	
37	Button	29147-06	
38	Screw	29146-02	
39	Washer	29143-09	
40	Handle	29145-07*	
41	Insert	29144-02*	
42	Handle S/A	9405-02	

• NOT AVAILABLE

C3659

Repair Kit consisting of (1) each parts 18 & 27 and (2) each parts 17, 21, 22, 23, 24, & 30)



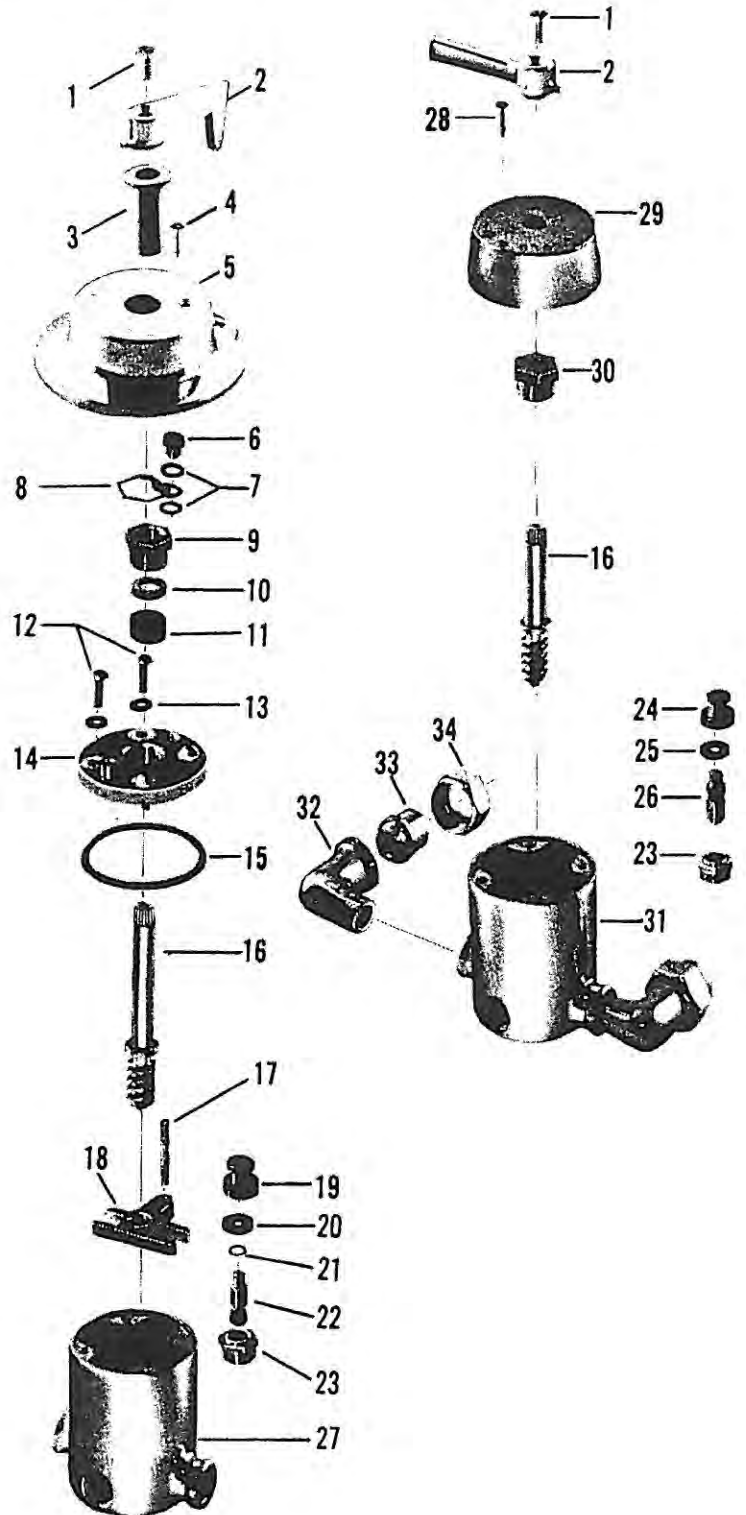


MIXING VALVES - Renewable Seats

**Model Numbers 1401.017 (R 1400),
1402.015 (R 1410), R 1420**

no.	description	part no.
1	Handle Screw	1390-11
2	Handle	1192-22
	Handle	850-12
3	Dial Plate Holder	24617-02
4	Dial Plate Screw	889-11
5	Dial Plate	894-12
6	Regulating Screw Cap	21121-07
	Regulating Screw Cap	851-17
7	Screw Cap Washer	1325-07
8	Packing Nut Holder	65498-07*
9	Packing Nut (Built-in Type)	24476-07
10	Packing Gland	33894-07
11	Stem Packing	391-07
12	Cap Screw	153-07
	Cap Screw	295-07
13	Cap Screw Washer	1326-07
	Cap Screw Washer	1327-37
14	Cap	27291-07
	Cap	27380-07
	Cap	27379-07
15	Cap Washer	998-07
	Cap Washer	996-17
16	Stem	27289-02
	Stem	27290-02
17	Regulating Screw	27340-07
18	Yoke	27293-07
19	Seat Washer Holder (Cold)	1399-27
	Seat Washer Holder (Cold)	27343-07
20	Seat Washer (Cold)	475-27
	Seat Washer (Cold)	457-17
21	Brass Washer (Cold Choke)	65666-07
	Brass Washer (Cold Choke)	21771-07
22	Choke (Cold)	1383-27
	Choke (Cold)	27341-07
23	Seat	65664-04
	Seat	27345-04
24	Seat Washer Holder (Hot)	1400-27
	Seat Washer Holder (Hot)	27344-07
25	Seat Washer (Hot)	44-17
	Seat Washer (Hot)	447-27
26	Choke (Hot)	1397-27
	Choke (Hot)	27342-07
27	Body w/seats (Built-in)	8096-04*
	Body w/seats (Built-in)	8097-04*
28	Dial Plate Screw	1173-31
29	Dial Plate	924-12
30	Packing Nut (Exposed Type)	24656-07
31	Body w/seats (Exposed Type)	8095-02*
	Body w/seats (Exposed Type)	8096-04*
32	Ell	27294-02
33	Coupling	23921-02
34	Coupling Nut	24186-02

* NOT AVAILABLE



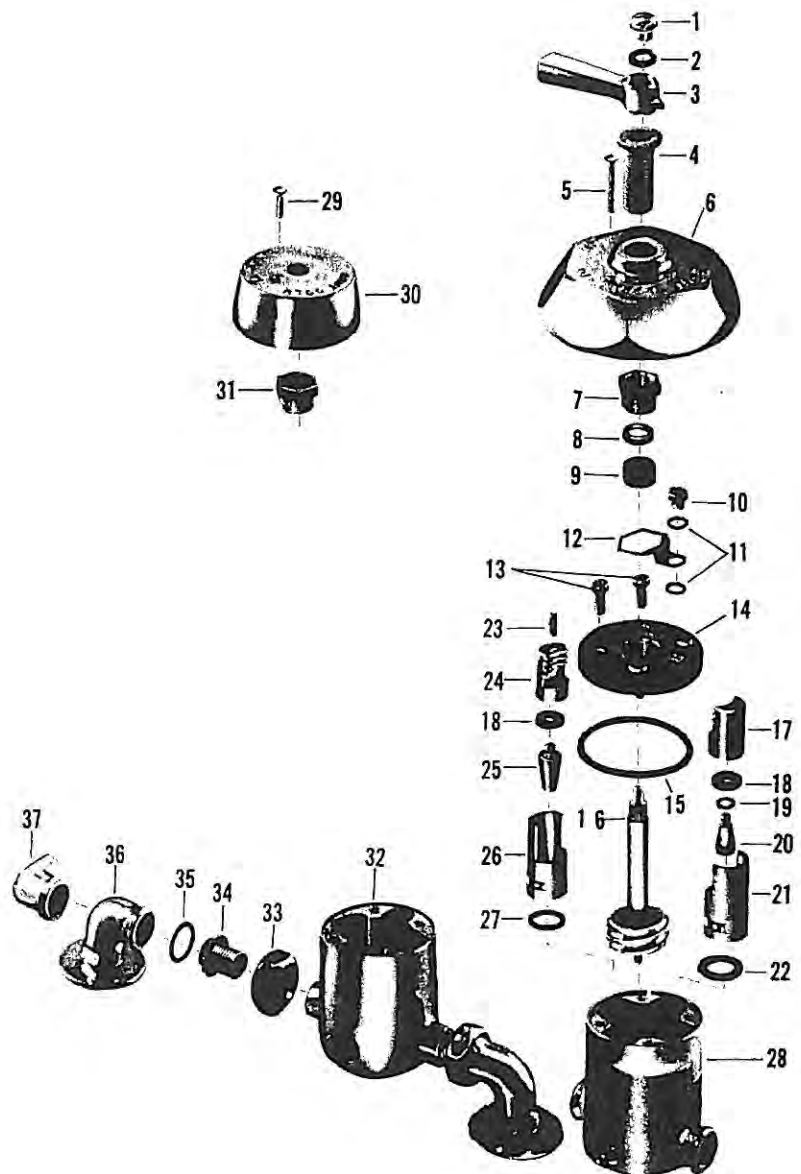
MIXING VALVES RE-NU with Washer Joint Sleeves



Model Numbers B 201, B 202

no.	description	part no.
1	Handle Nut	24712-02
2	Lock Washer	267-09
3	Handle	1398-12
	Handle	23434-02*
4	Dial Plate Holder	24617-02
	Dial Plate Holder	24621-02*
5	Dial Plate Screw	1174-02
6	Dial Plate	922-12
7	Packing Nut (Built-in)	24476-07
	Packing Nut (Built-in)	24477-07*
8	Packing Gland	33894-07
	Packing Gland	33896-07*
9	Stem Packing	391-07
	Stem Packing	390-07
10	Regulating Screw Cap	21121-07
11	Screw Cap Washer	1325-07
12	Packing Nut Holder	65498-07
13	Cap Screw	21779-07
	Cap Screw	1103-07
14	Cap	19169-07*
	Cap	19170-07*
	Cap	19016-07*
	Cap	67003-07*
15	Cap Washer	739-37
	Cap Washer	740-17
16	Stem	27213-02
	Stem	27217-02*
	Stem	27212-02
	Stem	21257-02*
17	Plunger (Cold)	27208-07*
	Plunger (Cold)	27222-07*
18	Seat Washer (Hot or Cold)	458-07
	Seat Washer (Hot or Cold)	1005-07
19	Brass Washer	1145-07
20	Choke (Cold)	32407-07
	Choke (Cold)	32418-07
21	Re-Nu Sleeve (Cold)	27210-07
	Re-Nu Sleeve (Cold)	27221-07
22	Joint Washer (Cold)	91-17
	Joint Washer (Cold)	94-17
23	Regulating Screw	1147-07
24	Plunger w/reg. Screw (Hot)	11306-07*
	Plunger w/reg. Screw (Hot)	11307-07*
25	Choke (Hot)	32406-07
	Choke (Hot)	32416-07
26	Re-Nu Sleeve (Hot)	27209-07
	Re-Nu Sleeve (Hot)	27218-07
27	Joint Washer (Hot)	83-17
	Joint Washer (Hot)	92-17
28	Body (Built-in)	27211-07*
	Body (Built-in)	27220-07*
29	Dial Plate Screw	1173-31
30	Dial Plate	27203-02*
	Dial Plate	27204-02*
31	Packing Nut (Exposed)	24656-07
	Packing Nut (Exposed)	24367-07*
32	Body (Exposed)	27177-02*
	Body (Exposed)	27220-02*
33	Coupling Nut	24196-02*
	Coupling Nut	24186-02
34	Swivel	24071-02*
	Swivel	24150-02*
35	Washer	1329-07*
	Washer	242-07*
36	Flanged Ell	26512-02*
37	Ell	26506-02*
	Ell	26507-02*

• NOT AVAILABLE

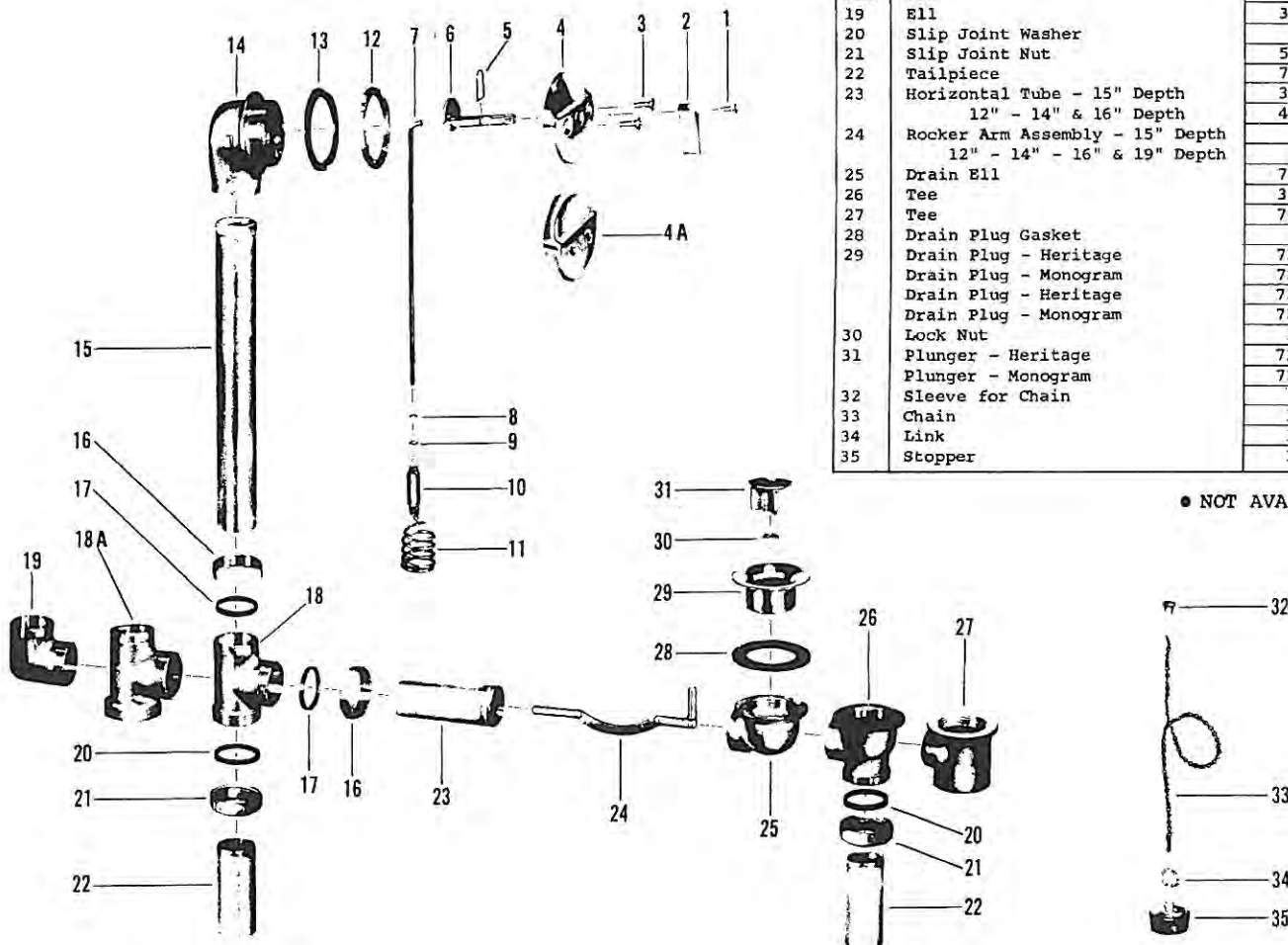


BATH DRAINS
Heritage and Monogram Trim

Model Numbers N 1700, N 1701, N 1708,
N 1710, N 1711, N 1718



* Note - Overflow Washer part no. 22-27 used on Steel Tubs only

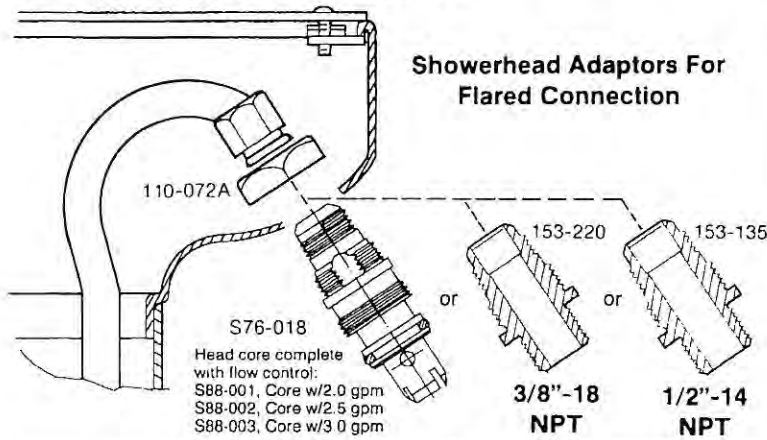


no.	description	part no.	
1	Handle Screw - Heritage	173-01	C3514
	Handle Screw - Monogram	173-03	
2	Handle - Heritage	72112-02	C3914
	Handle - Monogram	72112-03	
3	Grid Screw - Heritage	338-21	C3527
	Grid Screw - Monogram	338-23	
4	Overflow Grid - Heritage	63055-02	C3869
	Overflow Grid - Monogram	63055-03	
4A	Overflow Grid - Heritage	72171-02	
	Overflow Grid - Monogram	72171-03	
5	Retainer Clip	63059-07	C3870
6	Crank	72142-04	C3915
7	Striker Rod - 15" & 16" Depth	621-17	C3556
		19" Depth	
		12" Depth	
		14" Depth	
8	Lock Nut	620-17	C3555
9	Washer	277-37	C3524
10	Striker Rod Connector	37347-07	C3788
11	Striker	619-27	C3554
12	Overflow Retainer Nut	72101-07	
13	Overflow Washer	35-17	
	Overflow Washer *	22-27	
14	Overflow Ell	72103-07	
15	Vertical Tube - 15" & 16" Depth	38768-07	
		12" Depth	39199-07
		19" Depth	39203-07
		14" Depth	39228-07
16	Slip Joint Nut	24931-07	
17	Slip Joint Washer	489-17	
18	Tee	37352-07	
18A	Tee	37353-07*	
19	Ell	37365-07*	
20	Slip Joint Washer	469-07	
21	Slip Joint Nut	51684-07	
22	Tailpiece	72218-07*	
23	Horizontal Tube - 15" Depth	38861-07*	
		12" - 14" & 16" Depth	41661-07*
24	Rocker Arm Assembly - 15" Depth	624-17	C3558
		12" - 14" - 16" & 19" Depth	623-17
25	Drain Ell	72119-07*	C3557
26	Tee	37275-07*	
27	Tee	72134-07*	
28	Drain Plug Gasket	37-17	C3493
29	Drain Plug - Heritage	72196-02	C3917
		72196-03	
		72175-02	
		72175-03	
30	Lock Nut	1113-17	C3606
31	Plunger - Heritage	72192-02	C3916
		72192-03	
32	Sleeve for Chain	275-04	
33	Chain	1099-02	
34	Link	1128-22	
35	Stopper	1019-12	

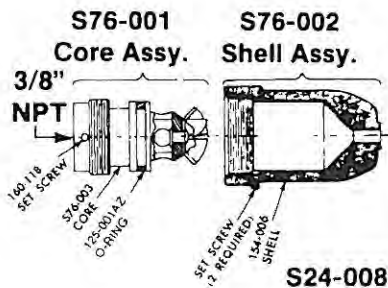
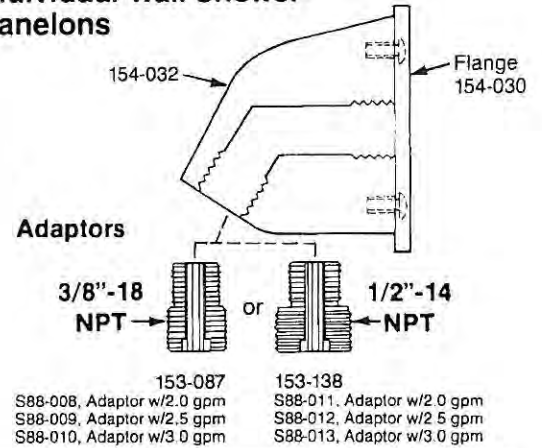
* NOT AVAILABLE

BRADLEY SHOWER HEADS

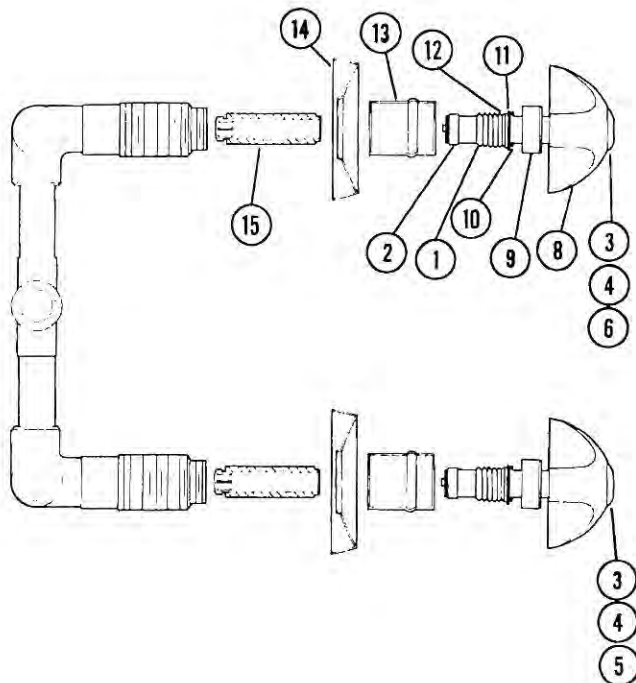
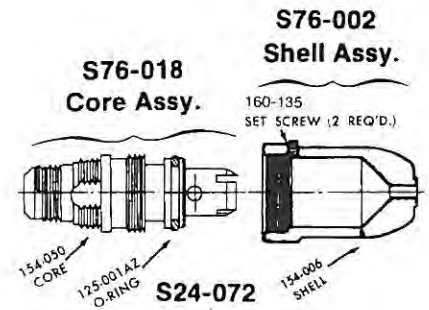
Column Shower & Wall Savers



Individual-Wall Shower-Panelons



HOT & COLD VALVES
Individual Showers—Concealed
Furnished From March 1983 To Present
Single Tempered Supply Uses Washer 142-027



Item	Part No.	Description	CAT NO.
1	119-052	Valve Stem	
2	S21-021	Extension	
3	142-002BL	Insert Washer	C146
4	160-145	Screw	C152
5	142-027B	Red Washer	C148
6	142-027A	Blue Washer	C147
8	128-060	Handle	
9	121-019	Bonnet	
10	125-001BC	"O" Ring	
11	124-001BD	Fiber Washer	
12	142-002BF	Brass Washer	
13	113-430	Sleeve	
14	150-110	Escutcheon	
15	117-034	Seat	

BRADLEY COMPRESSION SHOWER VALVES

NOTE: Complete valve assemblies are not shown. Only those parts reflecting basic design changes are illustrated.



128-011 Handle "Hot"
128-012 Handle "Cold"



119-008 Valve Stem

125-001L
Bibb Washer



160-001 or
160-146 Screw



VALVE ASSEMBLY NO. S02-018

Furnished from 1949 to 1963.

Only the 125-001L & 160-146 are still available.

Valve Assembly S02-031 (Tempered), S02-031A (Cold), S02-031B (Hot)



128-021 Handle



119-042 Valve Stem

125-001L
Bibb Washer



160-146
Screw

First S02-031 Series

Furnished from 1963 to 1968.
Only the 125-001L & 160-146 are still available.

REPAIR KIT NO. S45-048

CONTENTS		
Qty	Part No	Item
1	160-146	Screw
1	125-001L	Bibb Washer
1	124-001BD	Fibre Washer
1	125-001BC	"O" Ring
1	117-002	Renewable Valve Seat
1	124-001K	Valve Body Washer



C141

128-028 Handle



119-050 Valve Stem

125-001L
Bibb Washer



160-146
Screw

Second S02-031 Series

Furnished from 1968 to 1969.
Only the 128-028, 125-001L & 160-146 are still available.

REPAIR KIT NO. S45-048

CONTENTS		
Qty	Part No	Item
1	160-146	Screw
1	125-001L	Bibb Washer
1	124-001BD	Fibre Washer
1	125-001BC	"O" Ring
1	117-002	Renewable Valve Seat
1	124-001K	Valve Body Washer



C141

128-028 Handle



119-052 Valve Stem

125-001L
Bibb Washer



160-164
Screw

120-017
Valve Stem
Extension

Third S02-031 Series

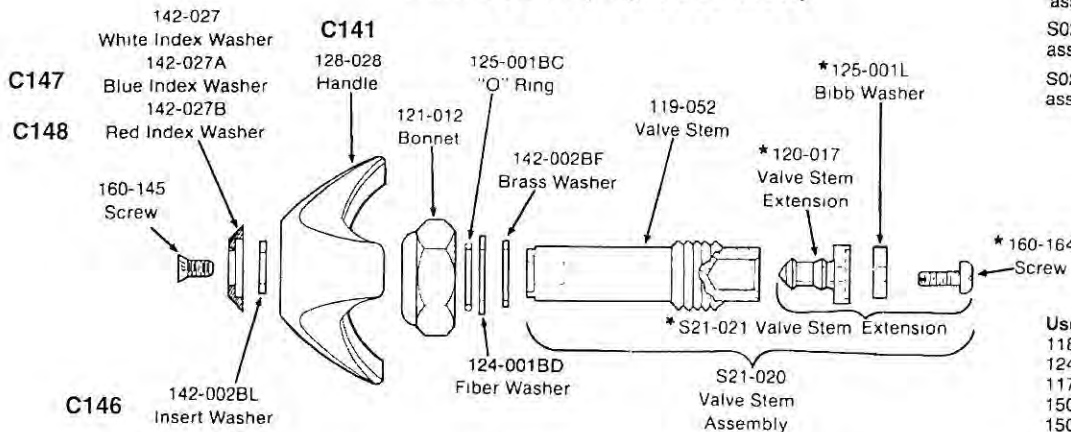
Furnished since 1969.
Only the third S02-031 Series can be provided complete, either as an assembly, or as individual parts.

Available as S21-020
valve stem assembly

REPAIR KIT NO. S45-048A

CONTENTS		
Qty	Part No	Item
1	120-017	Valve Stem Extension
1	160-164	Screw
1	125-001L	Bibb Washer
1	124-001BD	Washer
1	124-001K	Washer
1	125-001BC	"O" Ring
1	117-002	Valve Seat

Third S02-31 (Exploded View)



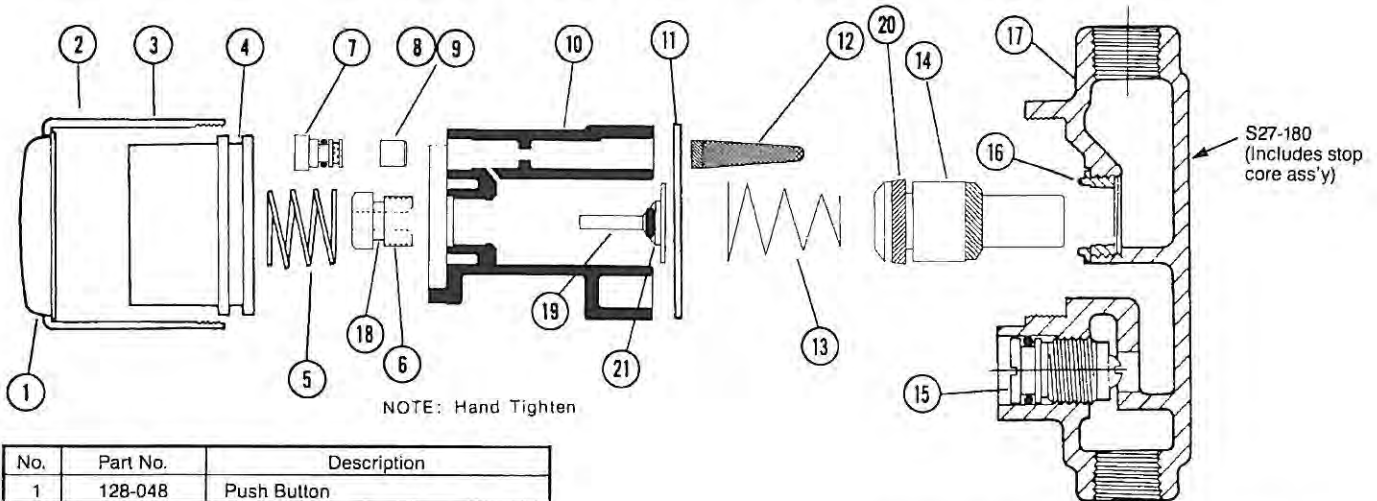
S02-031 Complete valve stem and handle assembly with White Index Washer (Tempered)
S02-031A Complete valve stem and handle assembly with Blue Index Washer (Cold)
S02-031B Complete valve stem and handle assembly with Red Index Washer (Hot)

Used in Conjunction With The Following Parts:

- 118-009 Valve Body
- 124-001K Fibre Washer For Valve Body
- 117-002 Valve Seat
- 150-004 Escutcheon, Columns
- 150-035 Escutcheon, Wall Savers, Panels

*NOTE: It is not recommended that the component of the stem assemblies be ordered individually. It is likely that valve stem extension no. 120-017 can not be removed without breaking as it is made of Celcon plastic. If breakage occurs, that portion of the plastic remaining in valve stem no. 119-052 will have to be drilled out. It is our recommendation that valve stem assembly no. S21-020 always be replaced complete

BRADLEY TOUCH 'N FLO VALVE



C145

C155
C144
C172

No.	Part No.	Description
1	128-048	Push Button
2	107-243	Cover 1 5/8" Long
3	107-253	Cover (Indiv. only) 2 3/4" Long
4	182-065	Spacer (Indiv. only)
5	135-034	Spring
6	S68-005*	Guide
7	S21-032	Screw Ass'y
8	S88-039	Standard Fixed Orifice Ass'y
9	S88-039B	Longer Cycle Orifice Ass'y
10	118-210	Body
11	169-250	Gasket
12	173-012	Filter
13	135-028	Conical Spring
14	S64-014*	Plunger Ass'y
15	S27-070	Internal Stop Core
16	117-030	Seat (Assemble with Teflon Dope)
17	118-121	Bottom Body
18	125-001BF	O-Ring
19	S64-034*	Poppet Ass'y
20	125-078	U-Cup (Viton, Brown)
21	125-001DB	O-Ring

***Note:**

- Item # 6 Includes 125-001BF O-Ring
- Item #14 Includes 125-049 Cup Washer
- Item #19 Includes 125-001DB O-Ring

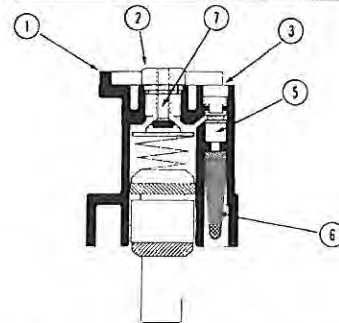
May consider plunger assembly S64-033 if extreme low water pressure condition exists.

NOTE: Lubricate "U" cup on plunger with Dow #111 silicone lubricant (S45-366 1 oz.) Do not use spray silicone or petroleum based lubricants on components.

Escutcheon & Screws (Not Shown) Must Be Ordered Separately as Follows:

- 150-033 Escutcheon 6-Person Column Shower
- 150-031 Escutcheon 2-5 Person Column Shower
- 160-165 Escutcheon Screw—1 Required
- 150-077 Escutcheon for all other Showers
- 160-255 Escutcheon Screw—2 Required
- 159-107 Wall Plate for Individual Shower
- 300-0372 Wall Plate Screw—2 Required

No.	Qty.	Part No.	Description
1	1	118-210	Body
2	1	S68-005	Guide Ass'y
3	1	S21-032	Adjusting Screw Ass'y
5	1	S88-039	Fixed Orifice Ass'y
6	1	173-012	Filter
7	1	S64-034	Poppet Ass'y



Apply Thin Coat of Silicone
Lubr-All Around I.D. - 1/16 Deep

Body Ass'y Kit
S73-019S

C177

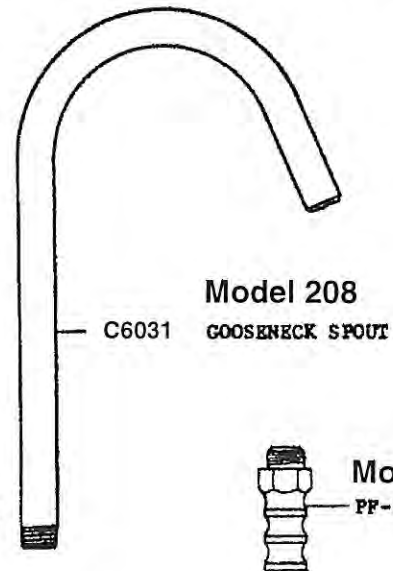
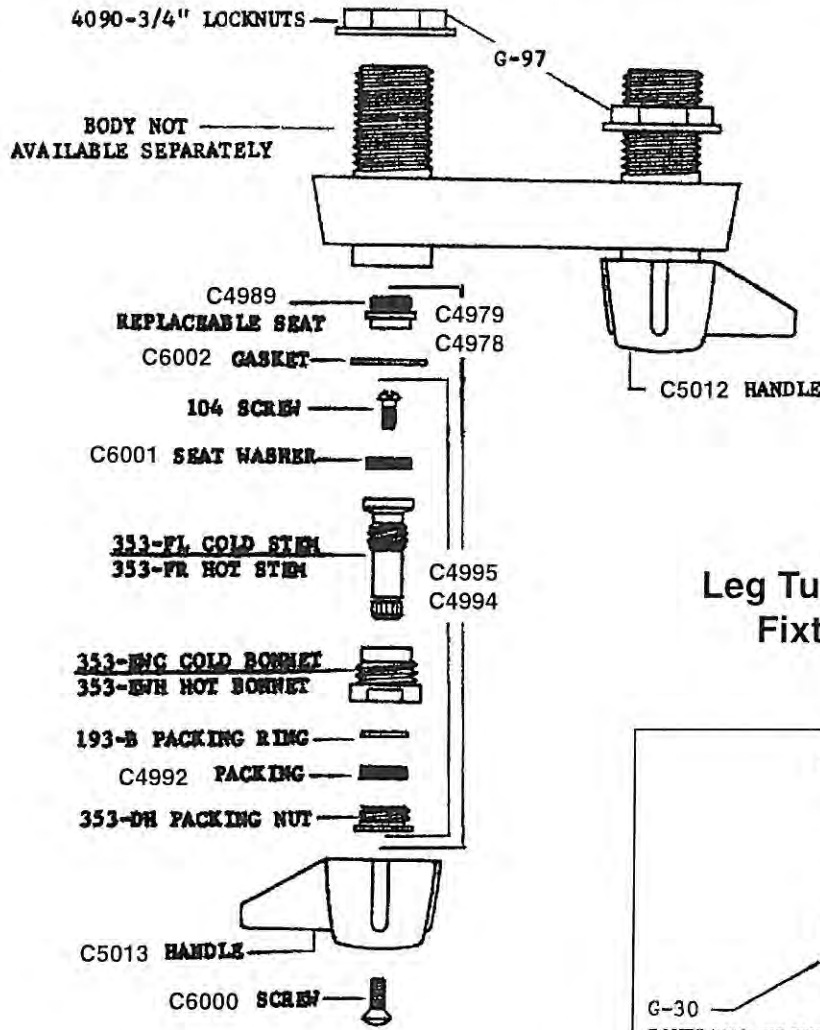
C177
C144
C172

REPAIR KIT — S65-071		
CONTENTS		
Qty.	Part No.	Description
1	S73-019S	Body Ass'y
1	135-028	Conical Spring
1	S64-014	Plunger Ass'y

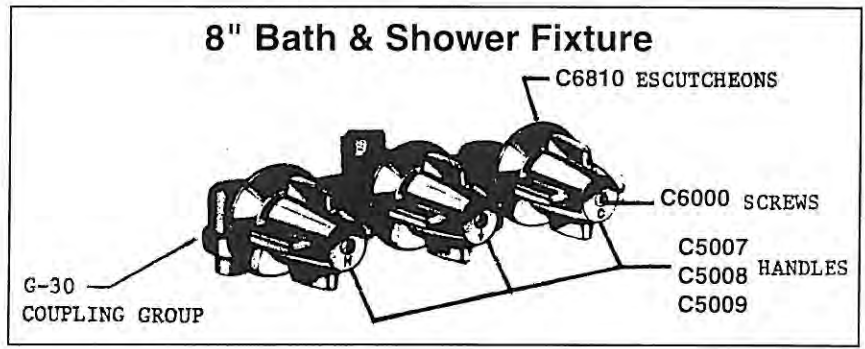
C144
C155
C172

REPAIR KIT — S65-070		
CONTENTS		
Qty.	Part No.	Description
1	S88-039	Fixed Orifice Ass'y
1	135-028	Conical Spring
1	169-250	Gasket
1	173-012	Filter
1	S64-014	Plunger Ass'y
1	125-001BF	O-Ring
1	125-001DB	O-Ring

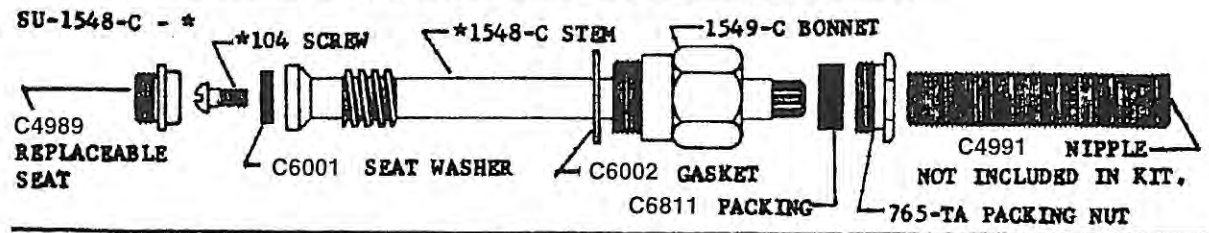
Central Brass



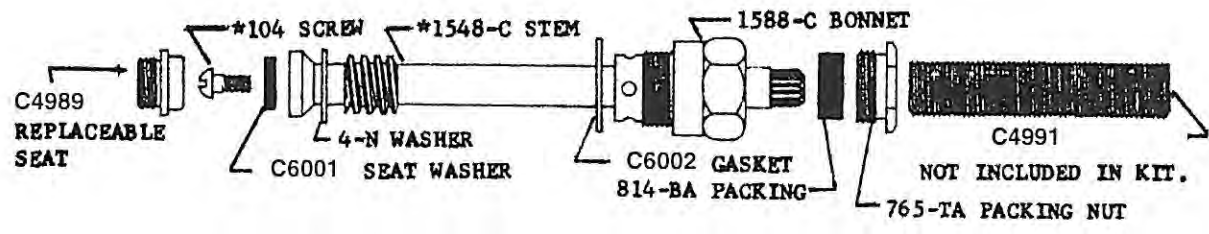
Leg Tub Bath Fixture



C4984 VALVE STEM UNIT WITH WASHERS AND REPLACEABLE SEAT

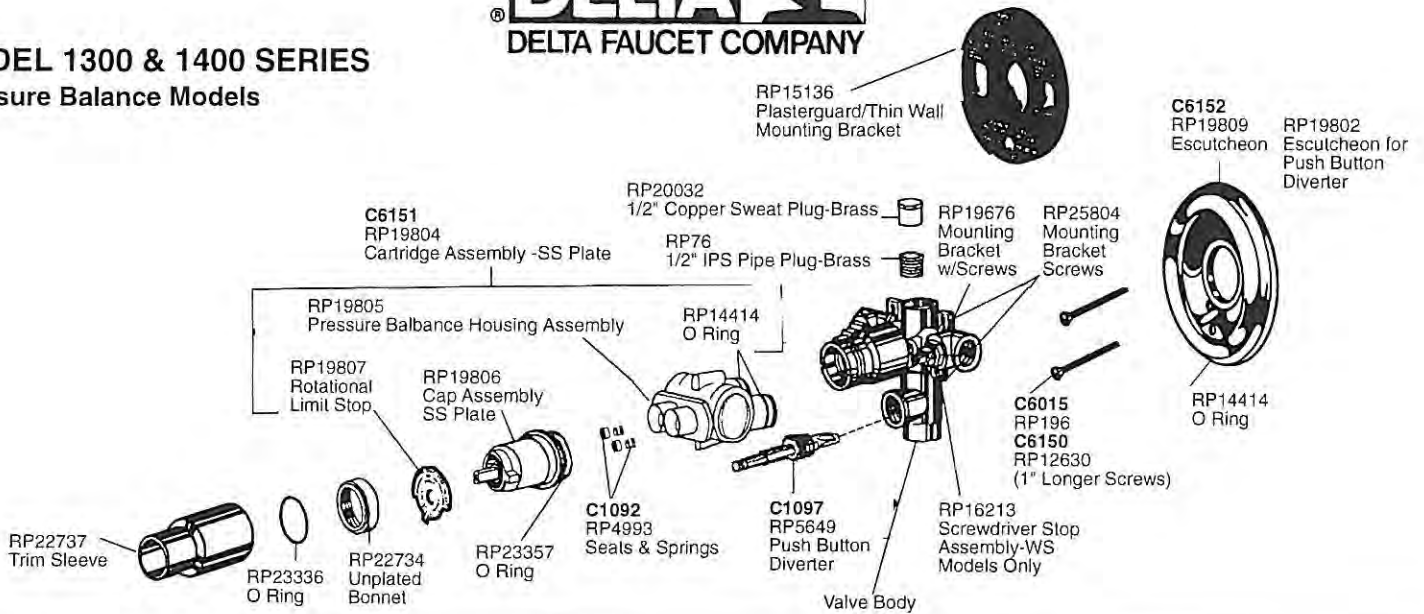


C4985 DIVERTER STEM UNIT - BUBBLE PACK

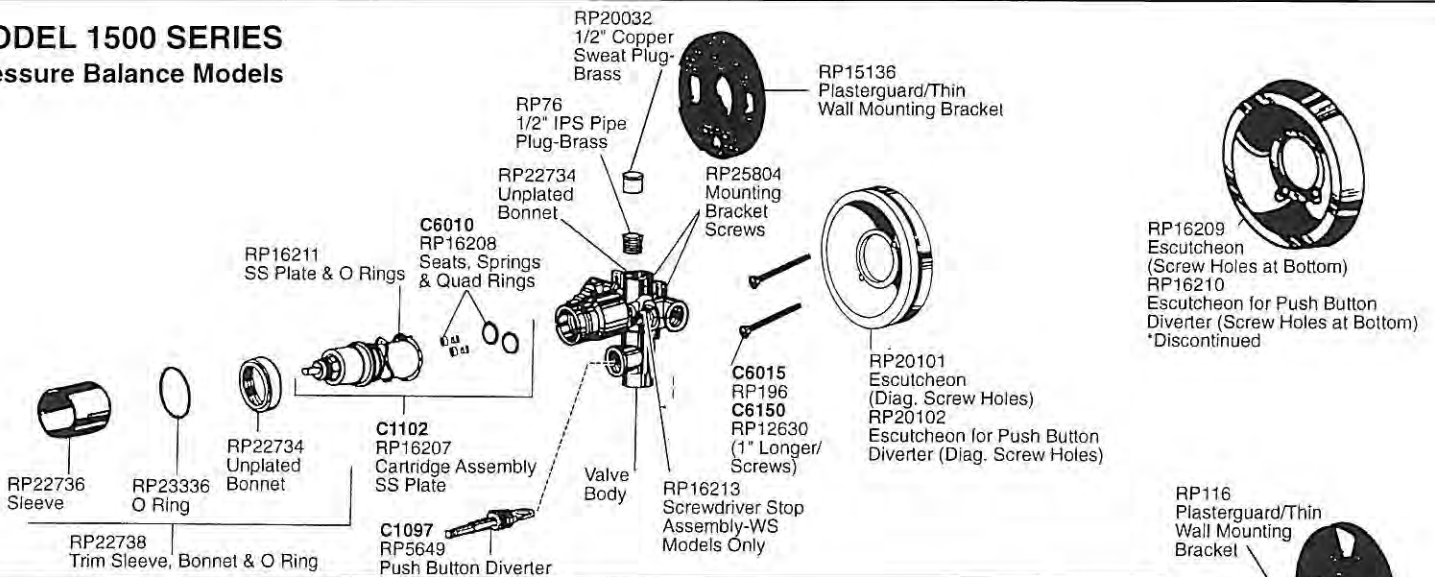




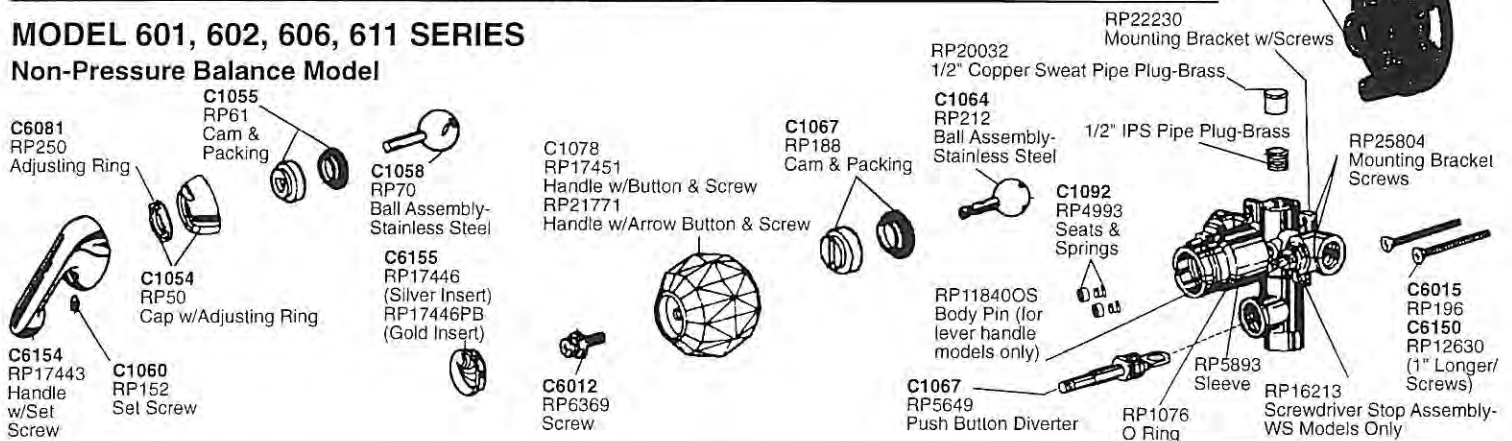
MODEL 1300 & 1400 SERIES Pressure Balance Models




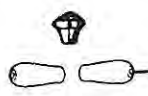




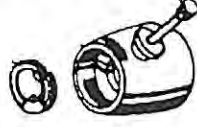

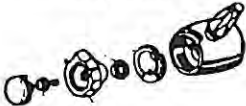




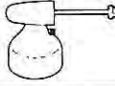


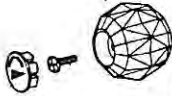
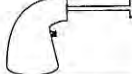




MODEL 1500 SERIES Pressure Balance Models



MODEL 601, 602, 606, 611 SERIES Non-Pressure Balance Model



Miscellaneous Parts - Delta

<p>A22 SERIES Handle Accents with Finial</p> 	<p>C6170 (A24) CP Handle Accents with Finial</p> 	<p>(RP20140AL) 1500 Series Handle Assembly</p> 
<p>A72 SERIES Handle Accents</p> 	<p>C6163 (RP12491) Wrist Blade Handles w/Screws (Red/Blue)</p> 	<p>(RP16203) Rotational Limit Stop</p>  <p>(RP18629) 1500 Series Handle Assembly</p> 
<p>A73 SERIES Handle Accents</p> 	<p>C6011, C6012, C6013, C6014 1500 Series (RP16201), (RP6369), (RP16202), (RP16212) Button, Screw, Temperature Handle, Nut</p> 	<p>(RP16203) Rotational Limit Stop (RP15127) Decal-Red/Blue (RP19226) Nut</p> 
<p>A74 SERIES Handle Accents</p> 	<p>C6084 (RP6122) Showerhead</p> 	<p>(RP16423) Reverse Ball-Stainless Steel (Corrects Reverse Supply Lines for Knob Handle Models Only)</p> 
<p>H72 SERIES Large Lever Handle w/Screw</p> 	<p>C6153 (RP20111) Conversion Ball-Stainless Steel (Changes Knob to Lever Handle)</p> 	
<p>H73 SERIES Large Ring Handle w/Cap & Screw</p> 	<p>C1079 (H71 Chrome) Knob Handle w/Button & Screw</p> 	
<p>H74 SERIES Large Lever Handle w/Screw</p> 		
<p>H75 SERIES Large Lever Handle w/Screw</p> 		
<p>H77 SERIES Porcelain Cross Handle w/Screw</p> 		
<p>H78 SERIES Large Blade Handle w/Screw</p> 		
<p>H79 SERIES Large Lever Handle w/Screw</p> 		

* Check for inventory on discontinued parts.

NOTE: Other colors, finishes available, please call.

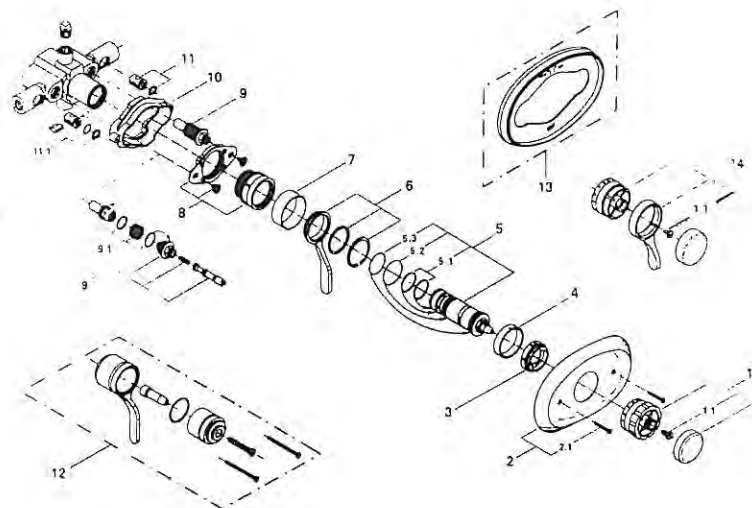
934 S.E. Sixth Avenue • Portland, Oregon 97214 • (503) 235-2167 • (800) 929-5039 • Fax (503) 239-3774

#34436

Cat. No.	No.	Model #	Description
	1	47298	Thermostat Handle
	1.1	02426	Screw
	2	47293	Escutcheon with Screw
C5426	2.1	02413	Screw
	3	47297	Temperature Limit Ring
	4	03620	Limit Sleeve
C5491	5	47111	Thermoelement Cartridge
	5.1	03139	Body O-Ring
	5.2	00149	O-Ring for 47.111
	5.3	01288	Cartridge Cap O-Ring
	6	47296	Lever Set
	7	05172	Body Sleeve
	8	47044	Guide Plate with Threaded Sleeve
C5438	9	08355	Stop Valve Complete
C5488	9.1	47045	Washer Set
	10	08224	Plastic Guard
	11	47051	Service Stop
	11.1	47306	Service Stop Washer Kit



Grohmix 34.436

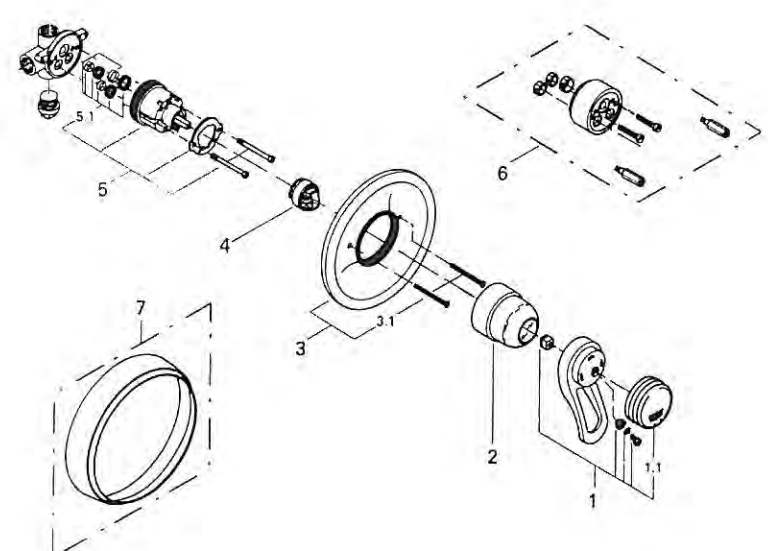


Special Accessories

	12	47329	1-1/2" Extension
	13	47347	13/16" Compensation Ring
	14	47299	Lever Temperature Handle
C5487		47040	Reverse Cartridge

#33683

Cat. No.	No.	Model #	Description
	1	46129	Lever Set
	1.1	46130	Cover Cap
	2	01124	Cap
	3	46062	Escutcheon
	3.1	00968	Screw
	4	46153	Handle Rotation Stop
C5467	5	46048	Cartridge
C5480	5.1	46209	Seal Kit



Special Accessories

C5479	6	46120	1" Extension
	7	46035	Intermediate Ring 7/8" high (For shallow wall application)

Europlus 33.683

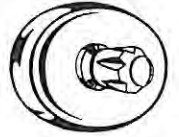


#34474

Cat. No.	No.	Model #	Description
C5435	1	08350	Handle Complete
	1.1	03114	Handle Cap
	1.2	02426	Screw
	2	03758	Temperature Limit Ring
	3	08366	Escutcheon
C5426	3.1	02413	Escutcheon Screw
C5485	4	47025	Cartridge
	4.1	02661	O-Ring
	4.2	03695	O-Ring
	4.3	01297	O-Ring
	5	00040	Body Sleeve
	6	14117	Check Valve Complete
	6.1	02435	Filter Screen
7	47017	Stop	

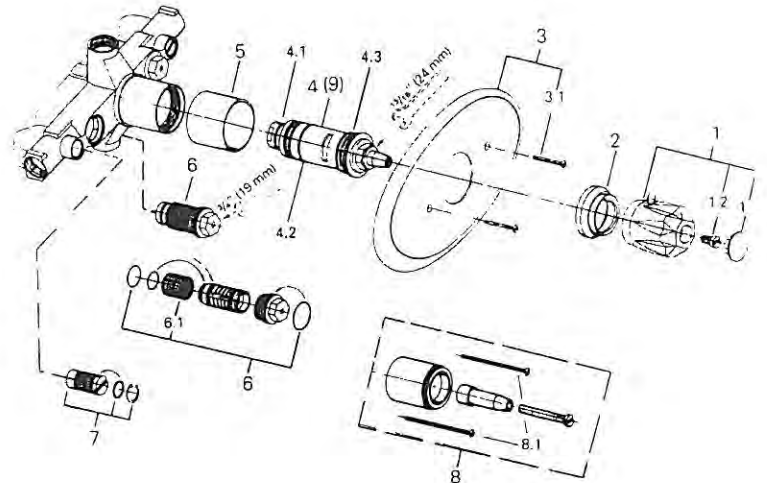


Grohmix 34.474
Thermostat Valve



Special Accessories

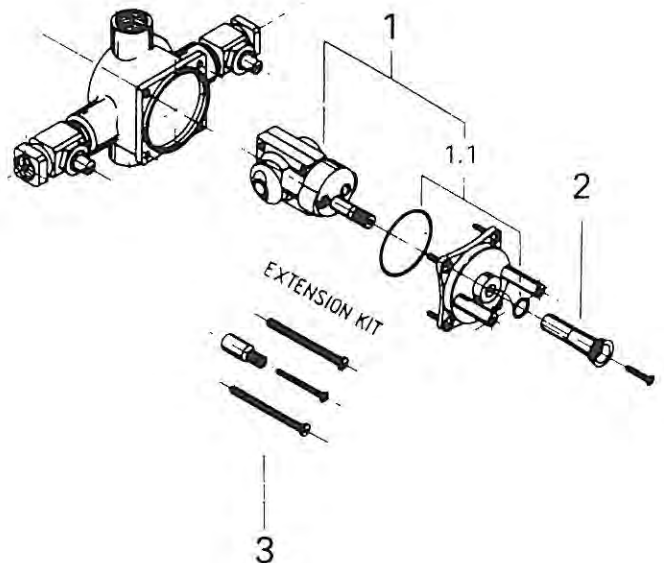
C5486	8	06087	Extension Kit
	8.1	02697	Extension Screws
C5486	9	47032	Reverse Cartridge
C5436	1	08350	Handle Complete, White
C5437	1	08350	Handle Complete, P.B.
C5427	3.1	02413	ESC Screw, White
C5428	3.1	02413	ESC Screw, P.B.



Cat. No.	No.	Model #	Description
C5490	1	47080	Pressure Balance Cartridge
	1.1	47086	O-Ring
	2	47068	Driver Kit

Special Accessories

C5489	3	47069	1/2" and 3/4" Extension Kit
-------	---	-------	-----------------------------



Temprasafe Valve
35.201

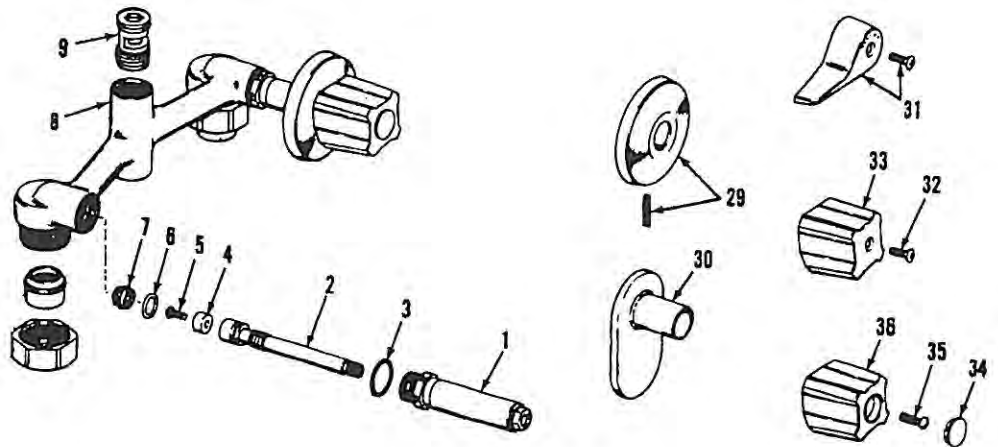


934 S.E. Sixth Avenue • Portland, Oregon 97214 • (503) 235-2167 • (800) 929-5039 • Fax (503) 239-3774

Model Numbers K-11606, K-11612 (Trend)

KOHLER®

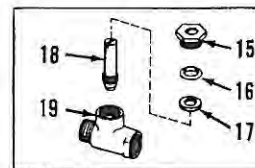
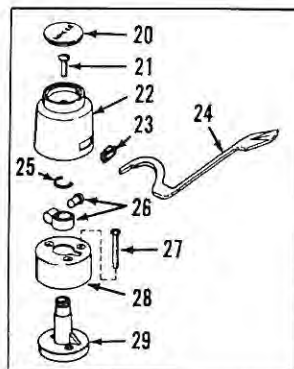
Ordering Options	
Item	Part No. or Kit
VALVE ASSEMBLY	
1, 2	30119 or 30353
3 thru 7	C1566
8	N/A
9	30521
ESCUTCHEONS AND HANDLES	
29	20851
30	30096
31	58895
32	31491
33	C1578
34	C1642
35	21102
36	C1645



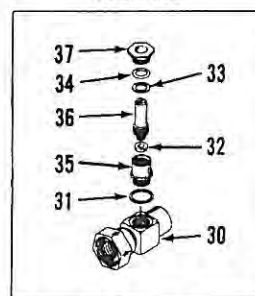
ORDER BY KIT NUMBER OR PART NUMBER, NOT ITEM NUMBER OR KIT LETTER.

Model Numbers K-6872 thru K-6879 (Centura)

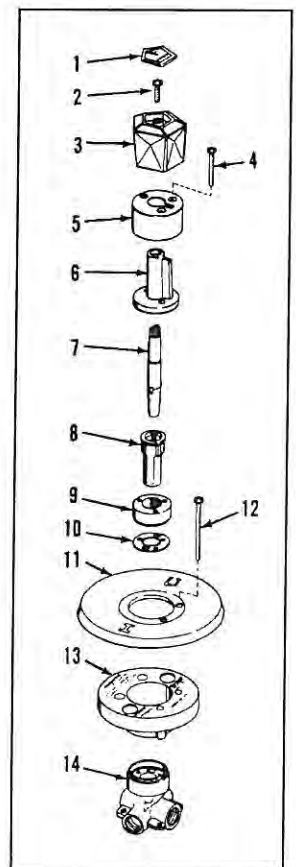
Ordering Options	
Item	Part No. or Kit
1	C1818
2	C1815
3	C1816
4, 5, 6	C1809
7	C1809
8	C1820
9, 10	C1652
11	42188†
12	42139†
13	*
14	**
15	32749
16	34117
17	32748
18	34556
19	**
20	C1817 42355
20 thru 29	42169
30 thru 37	C786



PRE-1985



POST-1985



KOHLER®